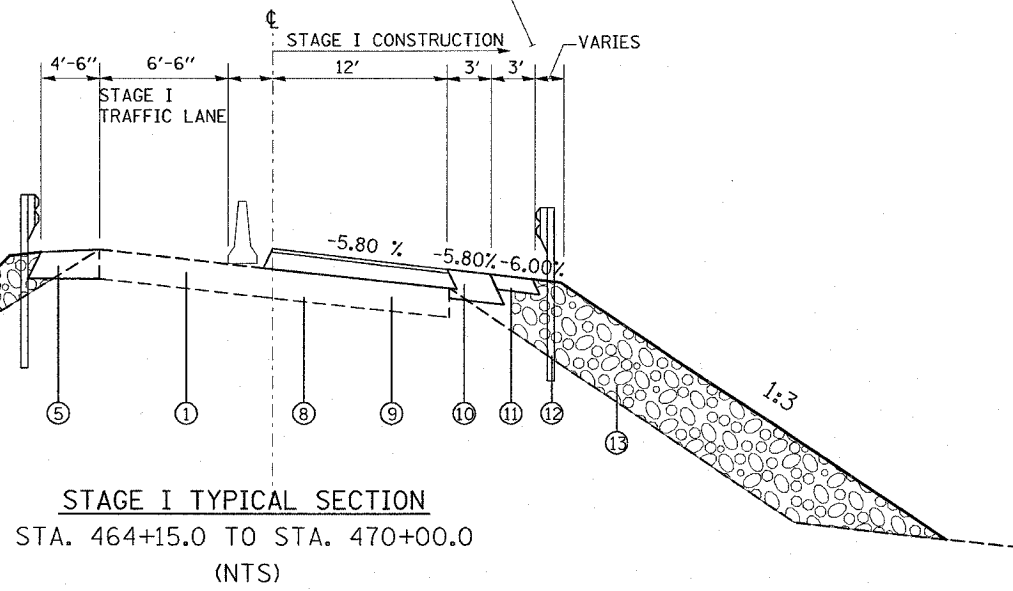
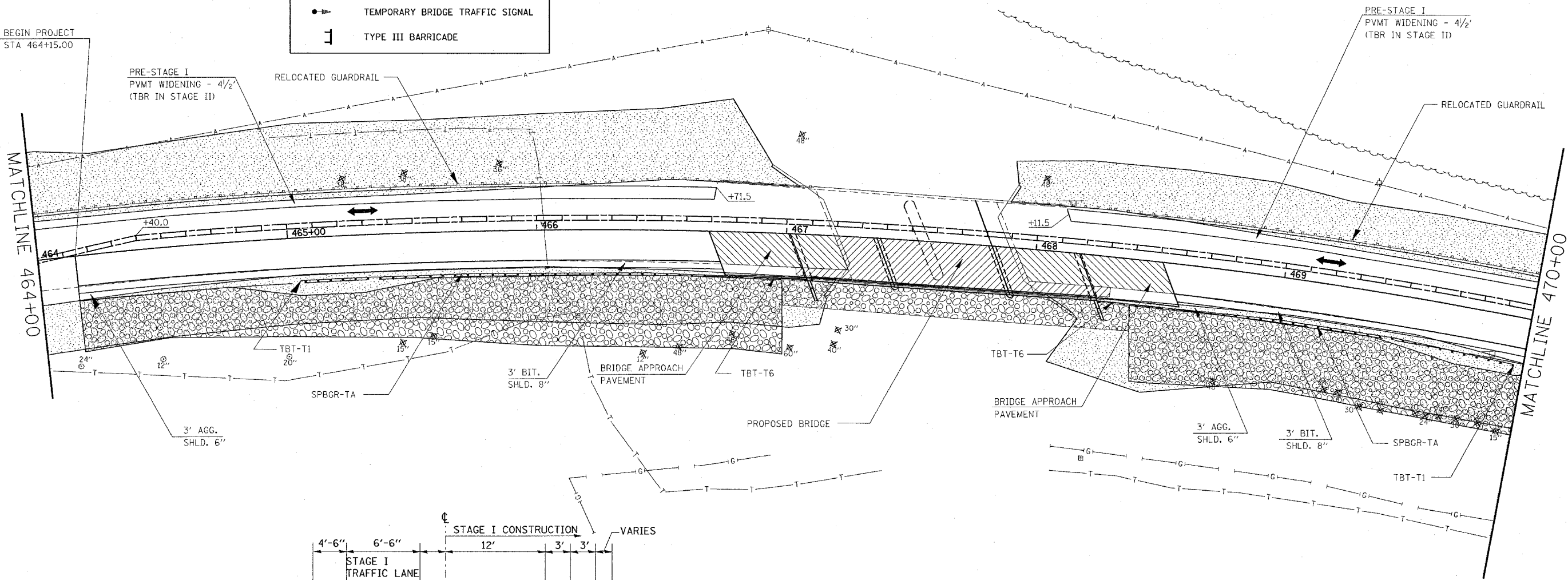


F.A.P. RTE.	SECTION	COUNTY	TOTAL SHEETS	SHEET NO.
304	5BR-2	CALHOUN	68	14
STA. 464+00.00		TO STA. 470+00.00		
FED. ROAD DIST. NO. 1		ILLINOIS	FED. AID PROJECT	

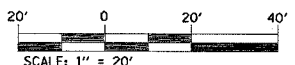
**LEGEND:**

- STRUCTURE REMOVAL
- PAVEMENT REMOVAL
- TEMPORARY CONCRETE BARRIER
- IMPACT ATTENUATOR
- INDUCTION LOOP DETECTOR
- DRUM WITH STEADY BURNING LIGHT
- SIGNALIZED TWO-WAY TRAFFIC LANE
- TEMPORARY BRIDGE TRAFFIC SIGNAL
- TYPE III BARRICADE

BEGIN PROJECT  
STA 464+15.00



- LEGEND**
- ① EXISTING PAVEMENT
  - ⑤ PROPOSED HOT-MIX ASPHALT BASE COURSE WIDENING 9"
  - ⑧ PROPOSED HOT-MIX ASPHALT BINDER COURSE (VARIES 0.75" TO 15")
  - ⑨ PROPOSED HOT-MIX ASPHALT SURFACE COURSE 1 1/2"
  - ⑩ PROPOSED HOT-MIX ASPHALT SHOULDERS, 8"
  - ⑪ PROPOSED AGGREGATE SHOULDER 6"
  - ⑫ PROPOSED GUARDRAIL
  - ⑬ PROPOSED RIPRAP



REVISIONS	
NAME	DATE

ILLINOIS DEPARTMENT OF TRANSPORTATION  
**SUGGESTED STAGE I CONSTRUCTION**  
FAP ROUTE 304  
SECTION 5BR-2  
CALHOUN COUNTY

SCALE: VERT. \_\_\_\_\_  
HORIZ. \_\_\_\_\_  
DATE \_\_\_\_\_ DRAWN BY \_\_\_\_\_  
CHECKED BY \_\_\_\_\_

PLOT DATE = 1/30/2008  
PLOT SCALE = 20.0000" / IN.  
REFERENCE = \$REF\$