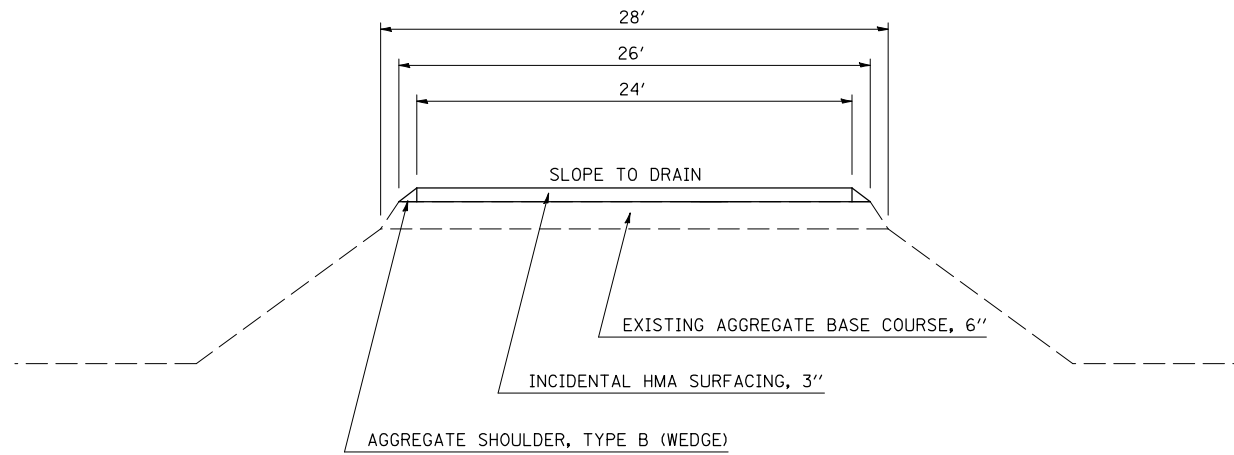


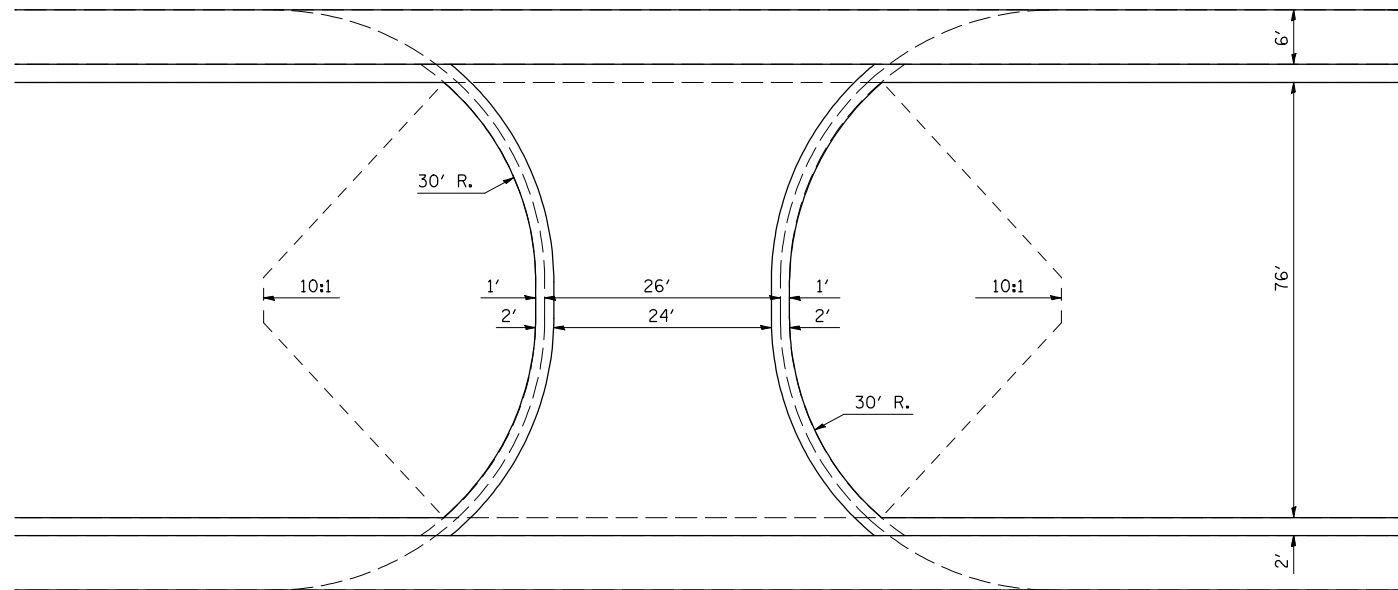
F.A.I. RTE.	SECTION	COUNTY	TOTAL SHEETS	SHEET NO.
74	(20-1)RS-2	DEWITT	97	62

DETAIL FOR MEDIAN CROSSOVER TO BE RECONSTRUCTED

STATION 699+35
STATION 788+62



ELEVATION



PLAN

NOT TO SCALE

ILLINOIS DEPARTMENT OF TRANSPORTATION
**DETAIL FOR MEDIAN CROSSOVER
TO BE RECONSTRUCTED**

F.A.I. ROUTE 74
SECTION (20-1)RS-2
DEWITT COUNTY

SCALE: NONE
DATE: 01-03-07

DRAWN BY: CADD
CHECKED BY:

PLOT DATE = 3/28/2008
 FILE NAME = c:\projects\4592295 (v8)\70475detail.dgn
 PLOT SCALE = 42,352% / IN.
 USER NAME = collierb