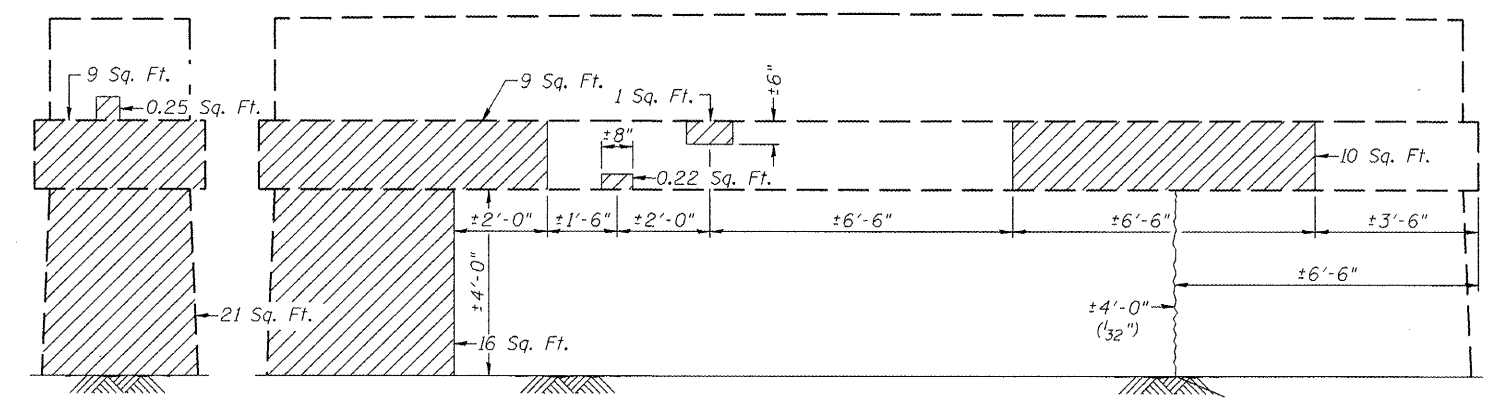
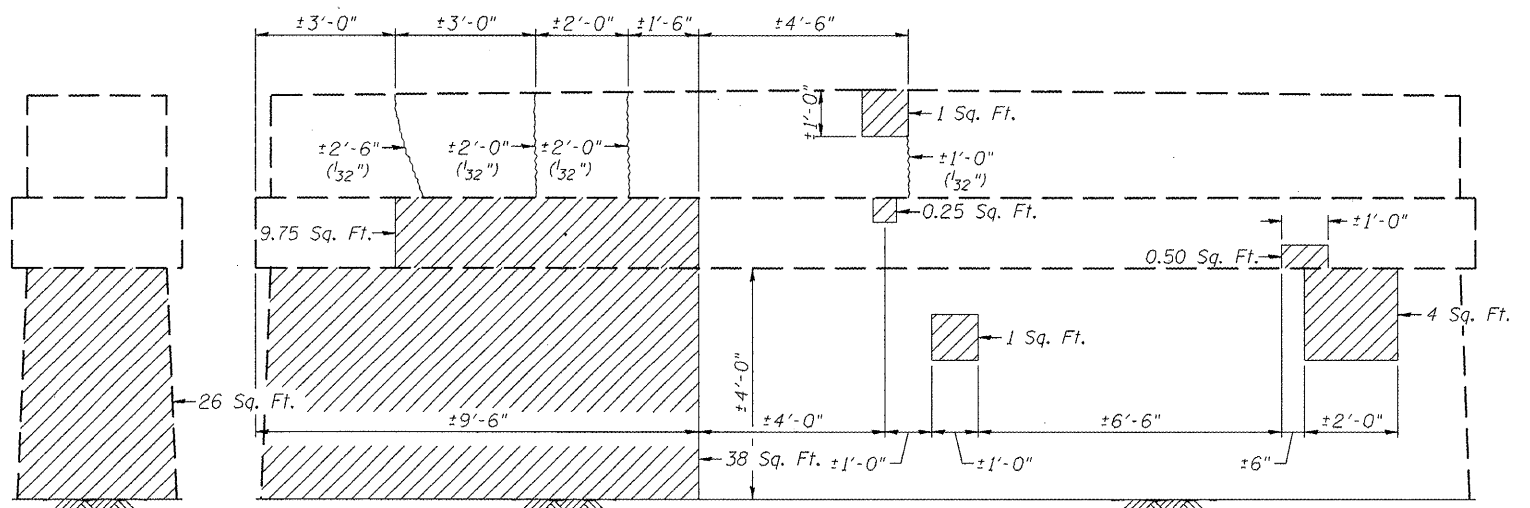


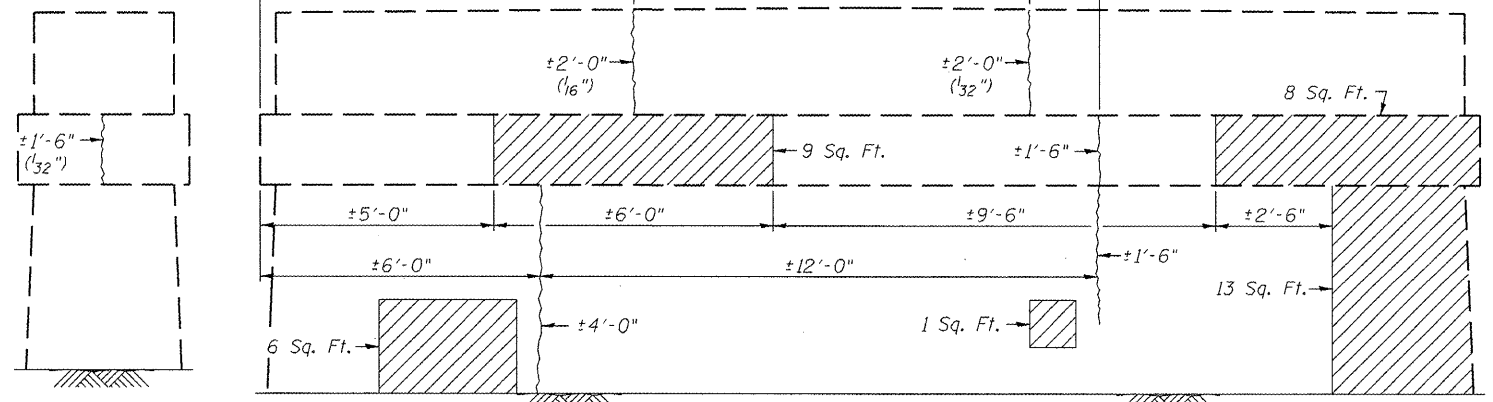
PIER 3 (EAST END)
PIER 3 (NORTH SIDE)



PIER 4 (EAST END)
PIER 4 (NORTH SIDE)



PIER 3 (WEST END)
PIER 3 (SOUTH SIDE)



PIER 4 (WEST END)
PIER 4 (SOUTH SIDE)

BILL OF MATERIAL

ITEM	UNIT	QUANTITY
Structural Repair of Concrete (Depth Equal to or Less Than 5")	Sq. Ft.	266.5
Epoxy Crack Injection	Foot	32

- LEGEND**
- Structural Repair of Concrete (Depth Equal to or Less Than 5")
 - Epoxy Crack Injection

PIERS 3 & 4 REPAIR
F.A.S. ROUTE 744 (OLD IL 121)
OVER MACKINAW RIVER
SECTION 108B-1-2
TAEWELL COUNTY
STATION 667+55.00
STRUCTURE NO. 090-0087