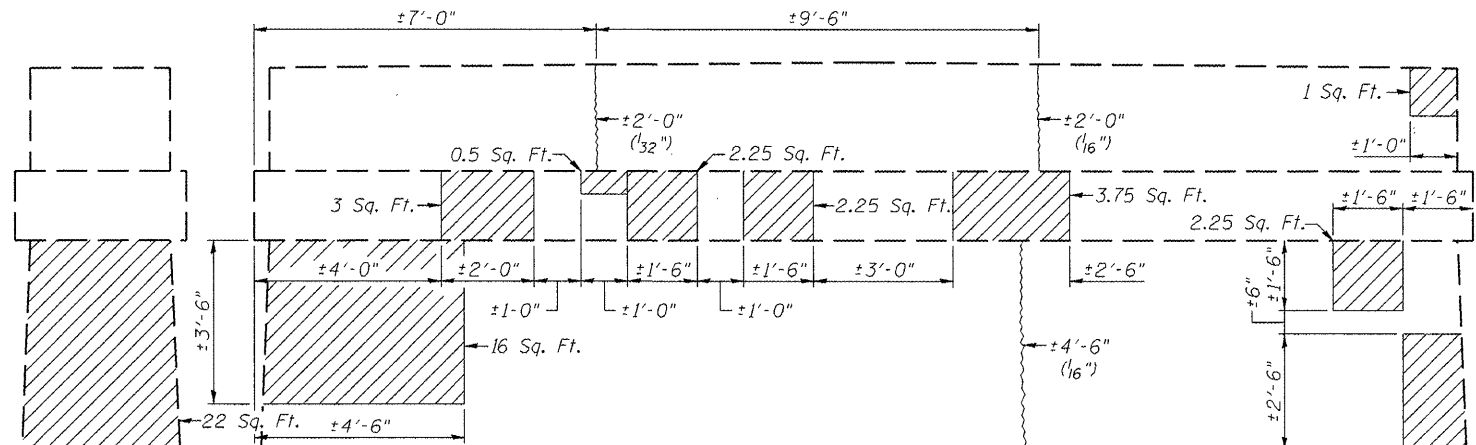
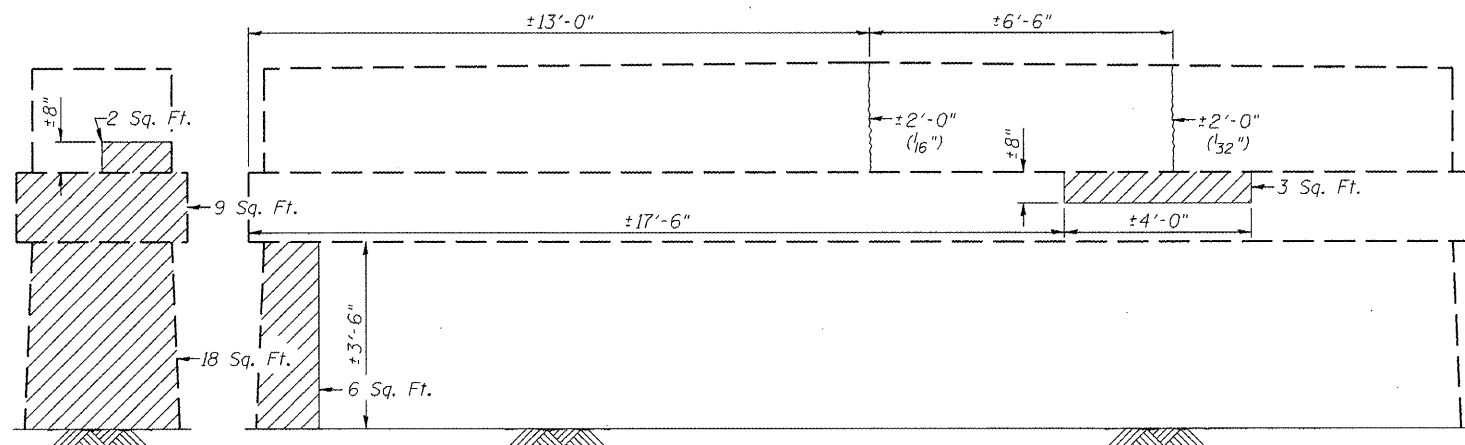


PIER 1
(EAST END)

PIER 1 (NORTH SIDE)

PIER 2
(EAST END)

PIER 2 (NORTH SIDE)



PIER 1
(WEST END)

PIER 1 (SOUTH SIDE)

PIER 2
(WEST END)

PIER 2 (SOUTH SIDE)

BILL OF MATERIAL

ITEM	UNIT	QUANTITY
Structural Repair of Concrete (Depth Equal to or Less Than 5")	Sq. Ft.	153
Epoxy Crack Injection	Foot	25.5

LEGEND

- Structural Repair of Concrete
(Depth Equal to or Less Than 5")

- Epoxy Crack Injection

PIERS 1 & 2 REPAIR
F.A.S. ROUTE 744 (OLD IL 121)
OVER MACKINAW RIVER
SECTION 108B-1-2
TAZEWELL COUNTY
STATION 667+55.00
STRUCTURE NO. 090-0087