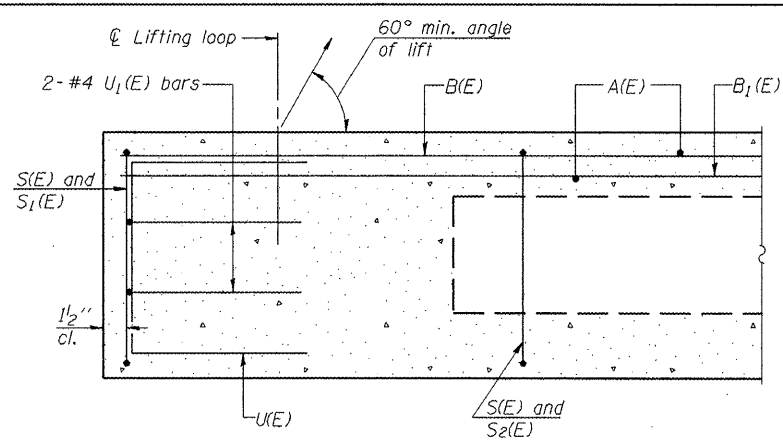
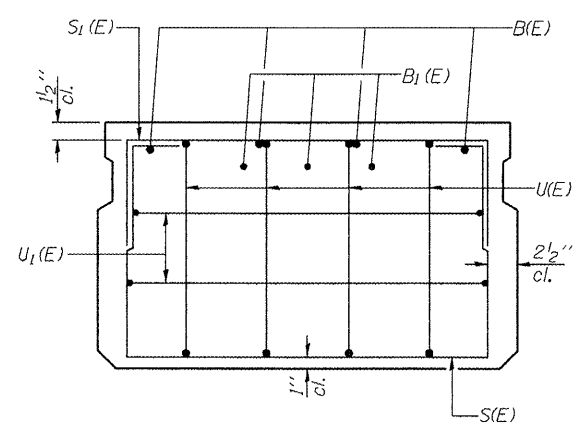


ROUTE NO.	SECTION	COUNTY	SHEETS	SHEET	SHEET NO.
F.A.P. 744	108B-I-2	TAZEWELL	29	10	20 SHEETS
FED. ROAD DIST. NO. 7		ILLINOIS	FED. AID PROJECT		

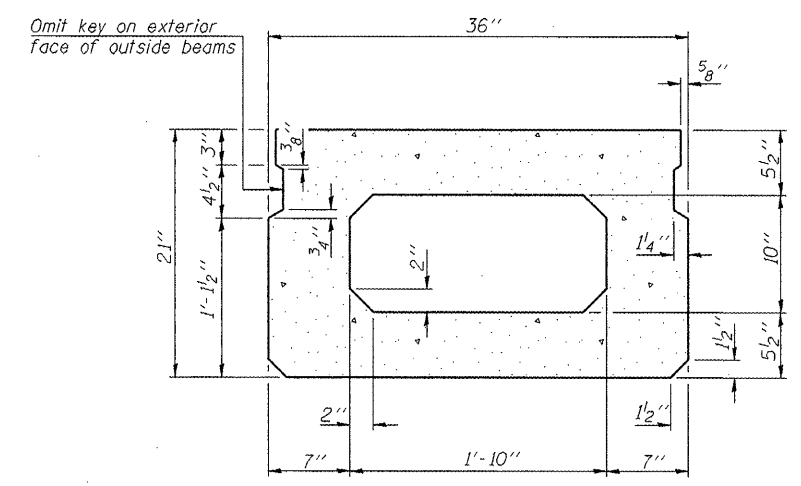
Contract # 68485



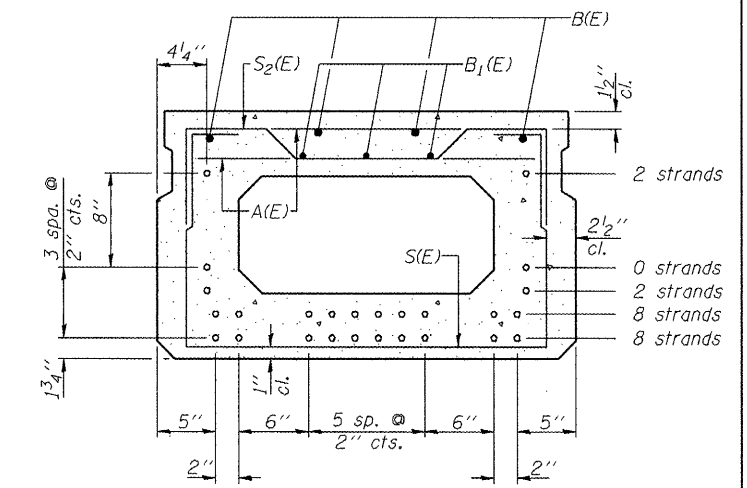
SECTION C-C



VIEW B-B

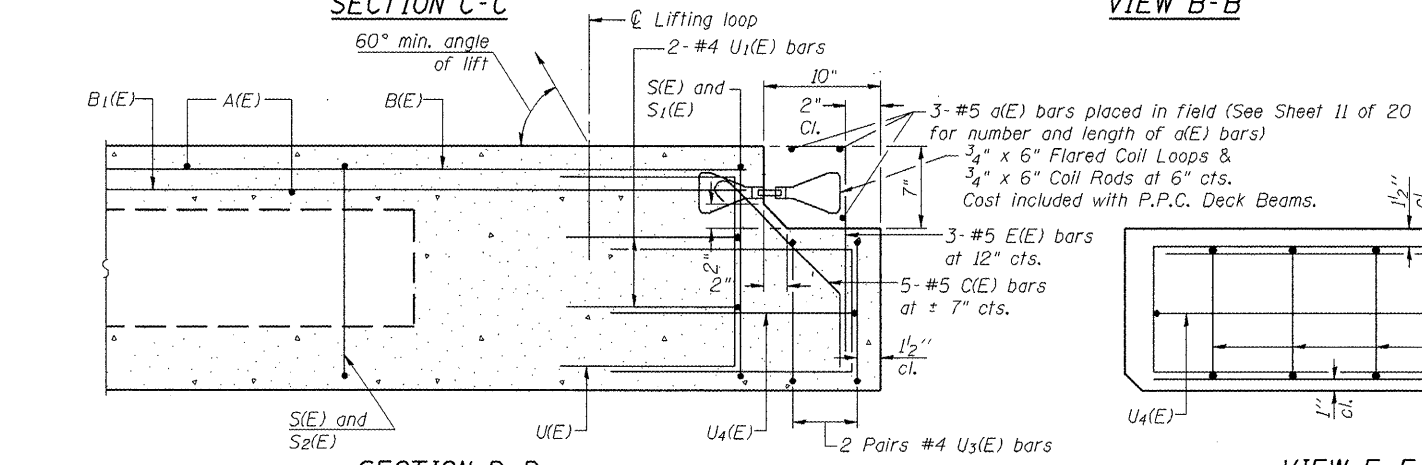


SECTION A-A
(Showing dimensions)

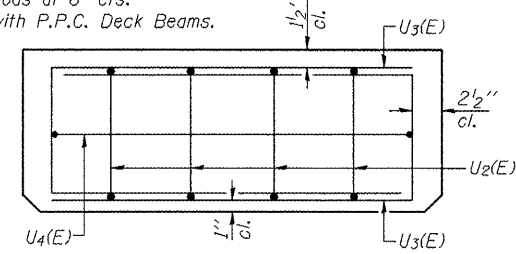


SECTION A-A
(Showing reinforcement and permissible strand locations)

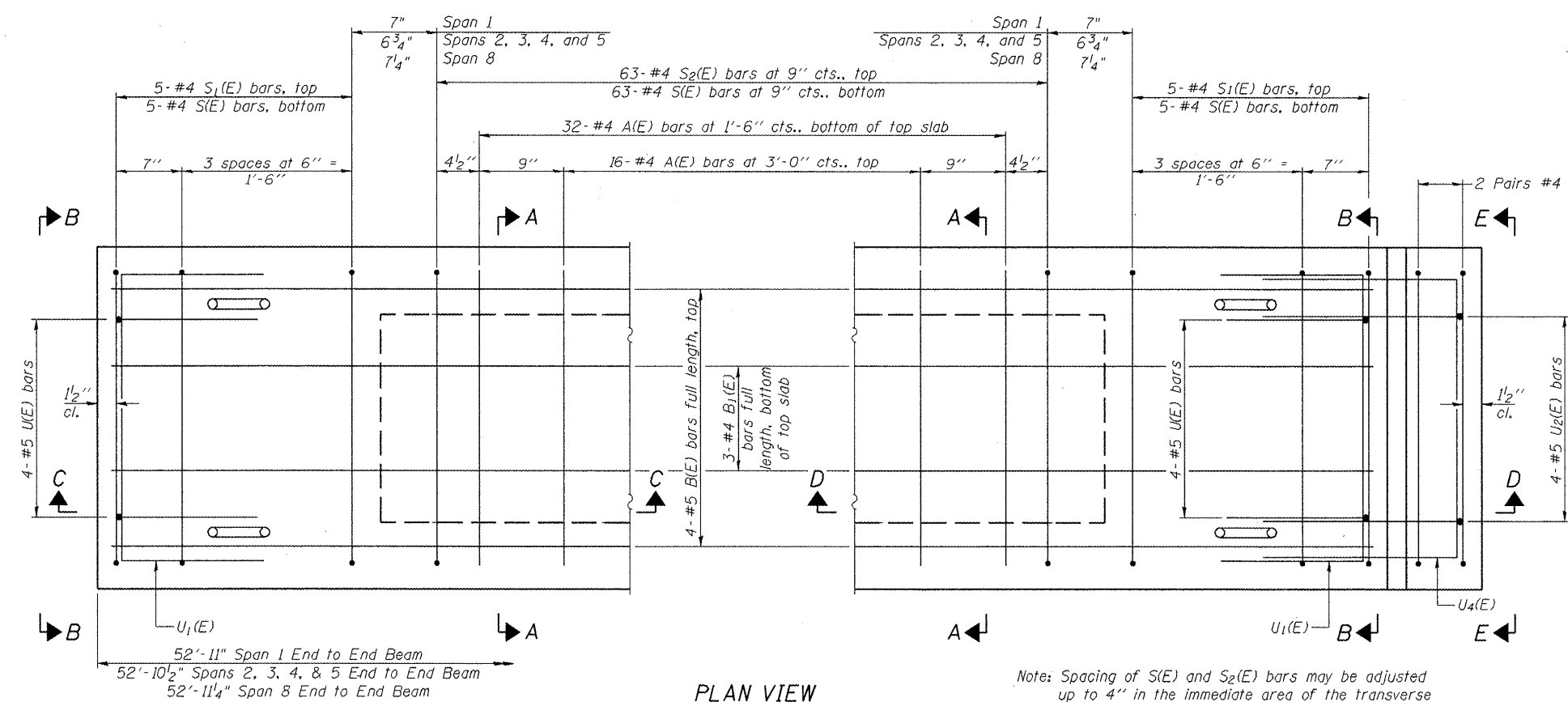
Note: Place the number of strands specified in each row symmetrically about the centerline of beam in the permissible strand locations shown.



SECTION D-D

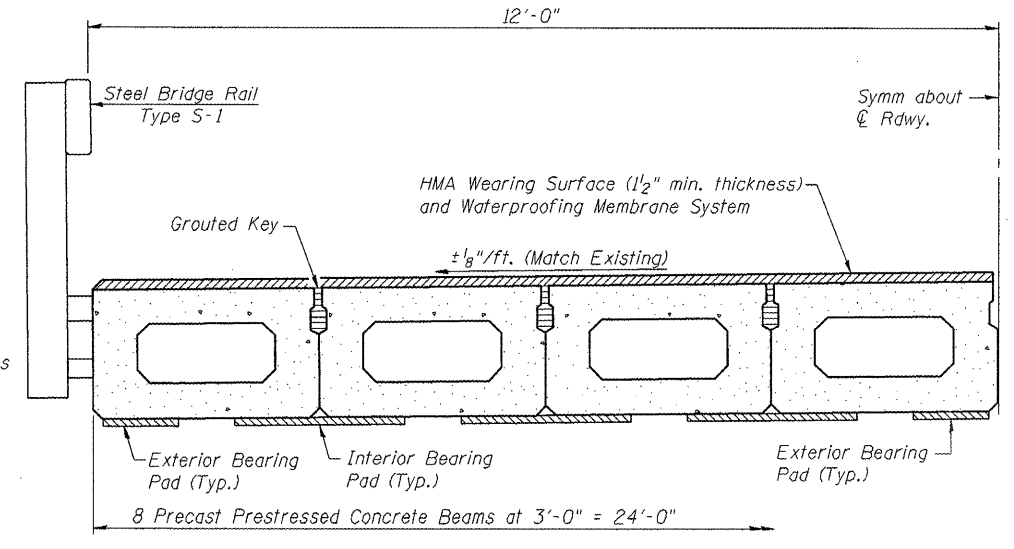


VIEW E-E



PLAN VIEW

Note: Spacing of S(E) and S2(E) bars may be adjusted up to 4" in the immediate area of the transverse tie diaphragms to miss the block outs for the transverse ties.



HALF CROSS SECTION

BAR LIST
ONE BEAM ONLY
(For information only)

Bar	No.	Size	Length	Shape
A(E)	48	#4	2'-7"	—
B(E)	4	#5	51'-9"	—
B1(E)	3	#4	51'-9"	—
C(E)	5	#5	2'-7"	U
E(E)	3	#5	2'-1"	U
S(E)	73	#4	6'-5"	U
S1(E)	10	#4	5'-7"	U
S2(E)	63	#4	5'-10"	U
U(E)	8	#5	4'-0"	U
U1(E)	4	#4	5'-0"	U
U2(E)	4	#5	5'-1"	U
U3(E)	4	#4	6'-0"	U
U4(E)	1	#4	6'-8"	U

Note: See sheet 4 of 20 for additional details and Bill of Material.

21 x 36 P.P.C. DECK BEAM
SPANS 1, 2, 3, 4, 5, & 8
F.A.S. ROUTE 744 (OLD IL 121)
OVER MACKINAW RIVER
SECTION 108B-I-2
TAZEWELL COUNTY
STATION 667+55.00
STRUCTURE NO. 090-0087