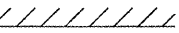

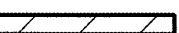

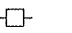
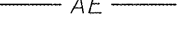
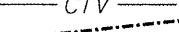

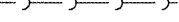
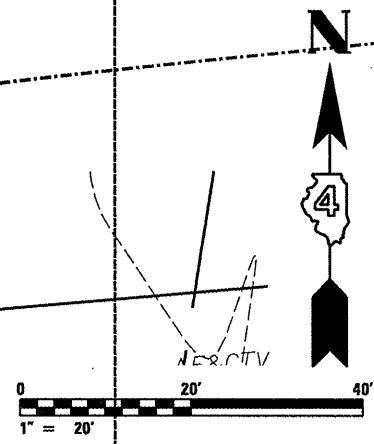


ROUTE NO.	SECTION	COUNTY	TOTAL SHEETS	SHEET NO.
VAR	*	VAR	66	44
FED. ROAD DIST. NO. 4		ILLINOIS	FED. AID PROJECT	

*** D4 SCOUR MITIGATION 2006
LEGEND**

- EXISTING CONTOUR ----- 495 -----
- PROPOSED CONTOUR ----- 495 -----
- PROP SPOT ELEVATION 480.5
- CONCRETE ABUTMENT 
- STONE RIPRAP CLASS A5 
- STONE RIP-RAP CLASS A3 SCOUR PROTECTION 12" 
- PERIMETER EROSION CONTROL BARRIER 
- UTILITY POLE 
- AERIAL ELECTRIC 
- CABLE TELEVISION 
- SANITARY MANHOLE 
- SANITARY SEWER 

CONTRACTOR TO FIELD LOCATE EXISTING SANITARY MANHOLE AND NOTIFY ENGINEER IF RIM ELEVATION INTERFERES WITH INSTALLATION OF SCOUR COUNTERMEASURES.



ILLINOIS DEPARTMENT OF TRANSPORTATION
 SITE DETAIL WEST
 S.N. 072-0037
 F.A.P. 669 (IL RTE. 116) OVER
 BN & CNW R.R., KICKAPOO CREEK
 & CH 77 F.A. RTE. 669
 PEORIA COUNTY
 SCALE: 1" = 20'
 SHEET 3 OF 15

