

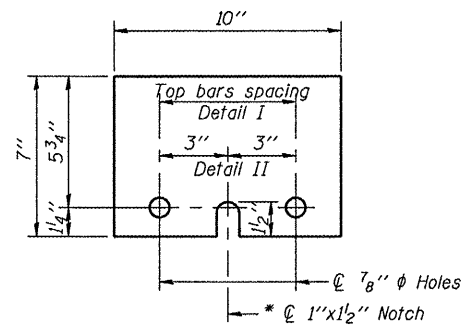
SECTIONS THRU SLAB

NOTES

Detail I - With Bar Splicer or Couplers:
Connect one (1) 1"x7"x10" steel PL to the top layer of couplers with 2-5/8" φ bolts screwed to coupler at approximate C of each barrier panel.

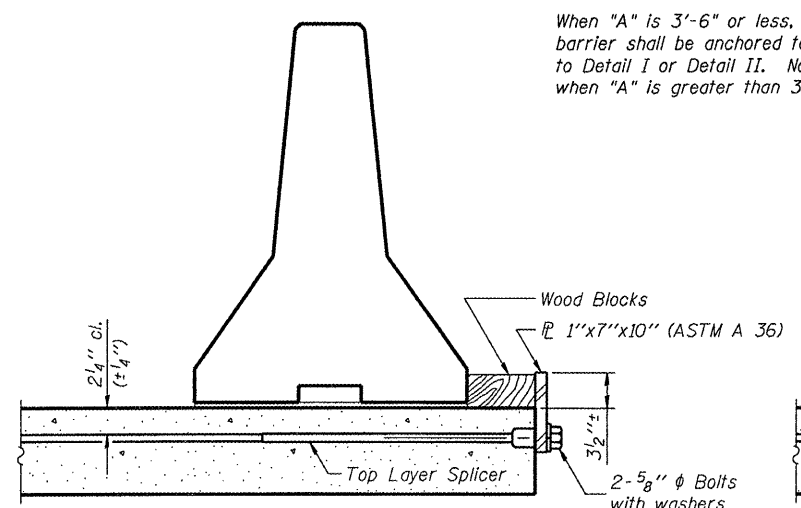
Detail II - With Extended Reinforcement Bars:
Connect one (1) 1"x7"x10" steel PL to the concrete slab with 2-5/8" φ Expansion Anchors or cast in place inserts spaced between the top layer of reinforcement at approximate C of each barrier panel.

Cost of anchorage is included with Temporary Concrete Barrier.



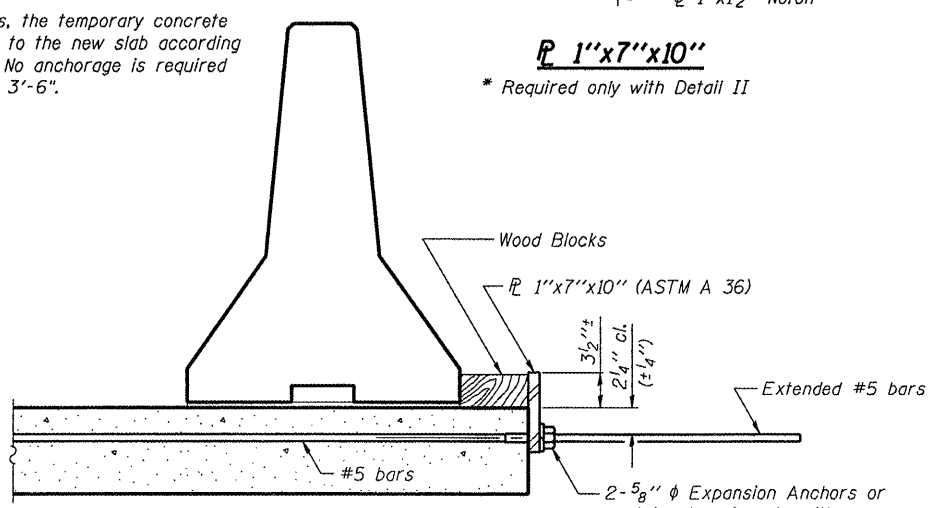
1"x7"x10"

* Required only with Detail II



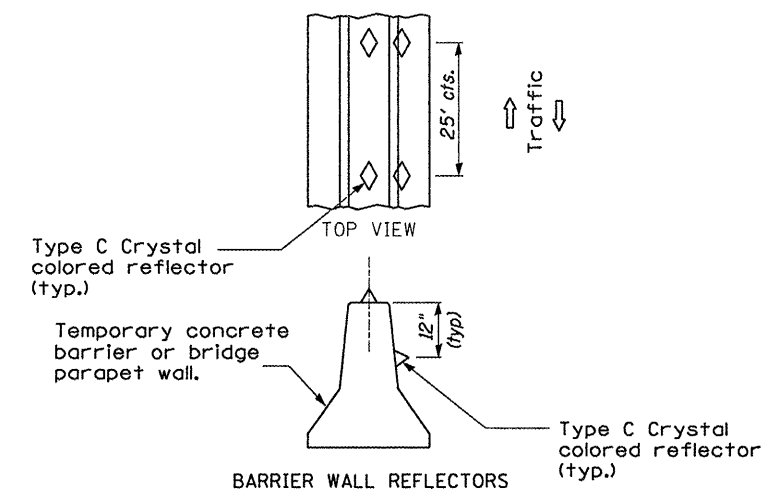
DETAIL I

The 1"x7"x10" Plate shall not be removed until Stage II Construction forms and reinforcement bars are in place.

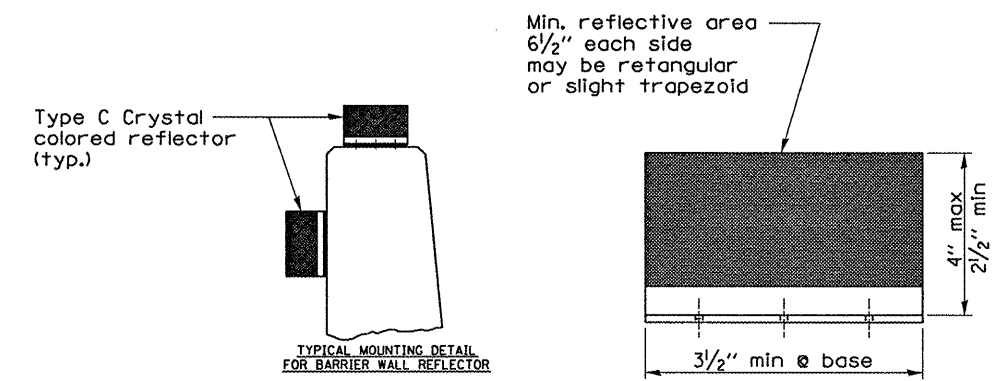


DETAIL II

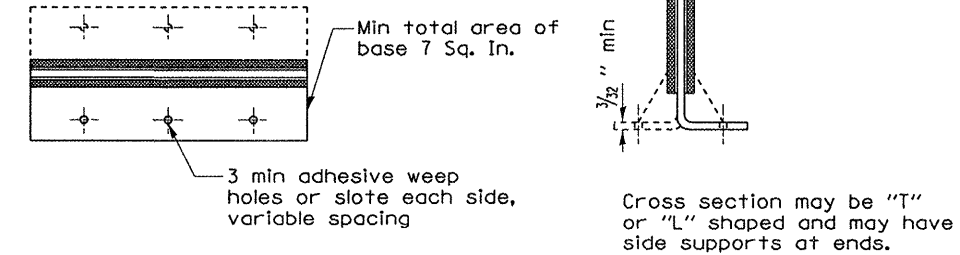
The 1"x7"x10" Plate shall not be removed until Stage II Construction forms and all reinforcement bars are in place and the concrete is ready to be placed.



DETAIL A



TYPICAL MOUNTING DETAIL FOR BARRIER WALL REFLECTOR



TYPE C REFLECTOR

FILE NAME =	USER NAME = woodshonkrl	DESIGNED - RLW	REVISED - ---
c:\projects\deck beam repl 08\en 053-01	9.dgn	DRAWN - RLW	REVISED - ---
	PLOT SCALE = 103.4029' / IN.	CHECKED - ---	REVISED - ---
	PLOT DATE = Mar 20, 2008 - 10:42:38 AM	DATE - ---	REVISED - ---

**STATE OF ILLINOIS
DEPARTMENT OF TRANSPORTATION**

TEMPORARY CONCRETE BARRIER

SCALE: _____ SHEET NO. 1 OF 1 SHEETS STA. _____ TO STA. _____

F.A.P. RTE.	SECTION	COUNTY	TOTAL SHEETS	SHEET NO.
681	(113BR1)	LIVINGSTON	15	9
CONTRACT NO. 66821				
FED. ROAD DIST. NO. [ILLINOIS] FED. AID PROJECT				