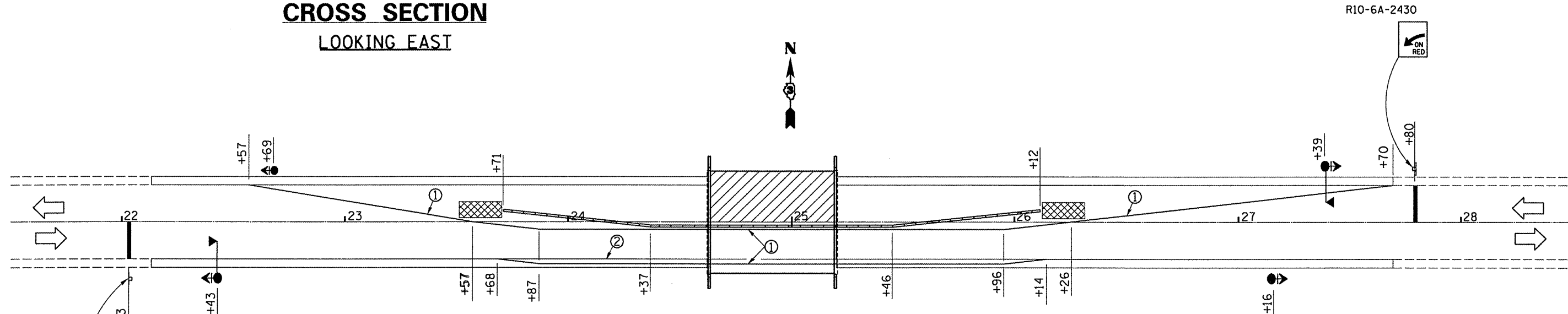


**CROSS SECTION**  
LOOKING EAST

**NOTES:**

1. THE CONTRACTOR HAS THE OPTION OF USING EITHER THE LINE ON THE TEMPORARY CONCRETE BARRIER OR ON THE PAVEMENT.
2. THE COST OF THE REFLECTORS AND THE BARRIER/PAVEMENT MARKING LINE IS INCLUDED IN THE COST OF THE TEMPORARY CONCRETE BARRIER.
3. THE COST OF THE TEMPORARY PAVEMENT MARKING IS INCLUDED IN THE COST OF STANDARD 701321



- ① MARKING LINE 4"
- ② PAVEMENT MARKING REMOVAL

**BILL OF MATERIAL**

PAVEMENT MARKING REMOVAL	SQ FT	81
RELOCATE TEMPORARY CONCRETE BARRIER	FOOT	241
IMPACT ATTENUATOR, RELOCATE (NON-REDIRECTIVE, TEST LEVEL 3)	EACH	2
THERMOPLASTIC PAVEMENT MARKING - LINE 4"	FOOT	492
THERMOPLASTIC PAVEMENT MARKING - LINE 6"	FOOT	137

**SYMBOLS**

- Work area
- Sign
- Type III barricade
- Microwave detector
- Traffic signal with backplate
- Impact attenuator
- Drum with steady burning light at 25' cts.
- Temporary concrete barrier
- Double vertical panel at 25' cts.
- Crystal, bidirectional barrier wall/guardrail marker at 25' cts.

SEE STANDARD 701321 FOR DETAILS NOT SHOWN

FILE NAME = c:\projects\deek beam repl 08\sn 053-019.dgn	USER NAME = woodshankr1	DESIGNED - RLW	REVISED - ---	<b>STATE OF ILLINOIS</b> <b>DEPARTMENT OF TRANSPORTATION</b>	<b>STAGING DETAILS - STAGE III</b>	F.A.P. RTE. 681	SECTION (113BR)I	COUNTY LIVINGSTON	TOTAL SHEETS 15	SHEET NO. 8		
PLOT SCALE = 1/8" = 1' / IN.	CHECKED - ---	REVISED - ---	SCALE: _____			SHEET NO. 1 OF 1 SHEETS	STA. _____ TO STA. _____	FED. ROAD DIST. NO. _____ (ILLINOIS) FED. AID PROJECT				
PLOT DATE = Mar 25, 2008 - 11:09:05 AM	DATE - _____	REVISED - ---	CONTRACT NO. 66821									