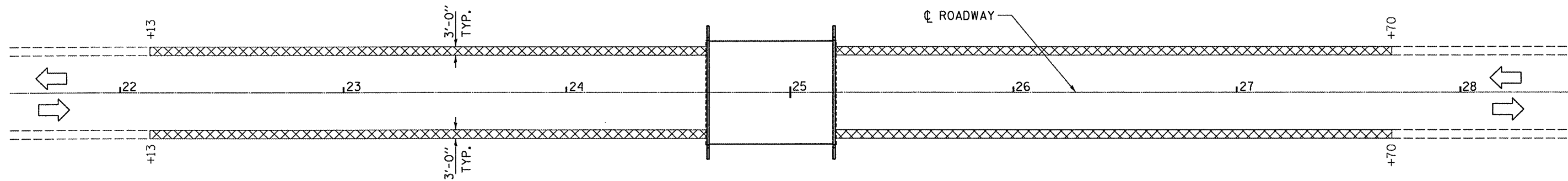


 **WIDENING LIMITS**



BILL OF MATERIAL

EARTH EXCAVATION	50 FT	104
WIDENING		
HOT-MIX ASPHALT	FOOT	372
BASE CSE. WIDENING		

FILE NAME =	USER NAME = woodshenkr1	DESIGNED - RLW	REVISED - ---
c:\projects\deck beam repl\en 053-01	9.dgn	DRAWN - RLW	REVISED - ---
PLOT SCALE = 103.4029' / IN.	CHECKED - ---	REVISED - ---	REVISED - ---
PLOT DATE = Mar 24, 2008 - 03:58:30 PM	DATE - ---	REVISED - ---	REVISED - ---

**STATE OF ILLINOIS
DEPARTMENT OF TRANSPORTATION**

STAGE DETAILS - STAGE I

SCALE: _____ SHEET NO. 1 OF 1 SHEETS STA. _____ TO STA. _____

F.A.P. RTE.	SECTION	COUNTY	TOTAL SHEETS	SHEET NO.
681	(113BR1)	LIVINGSTON	15	6
FED. ROAD DIST. NO. _____ ILLINOIS FED. AID PROJECT			CONTRACT NO. 66821	