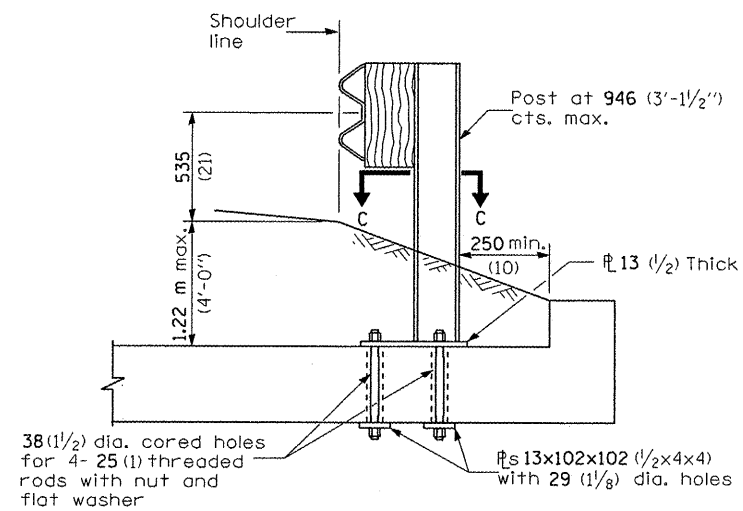
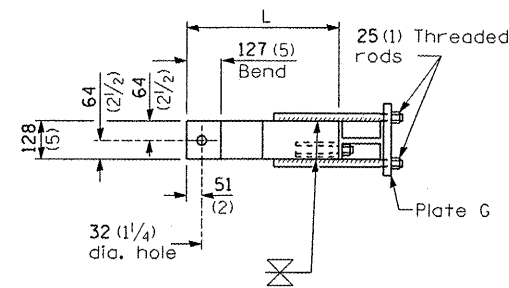


CROSS SECTION

ELEVATION

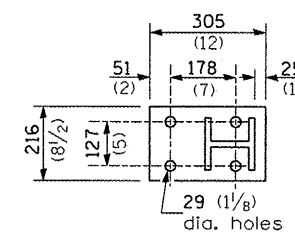


CROSS SECTION



SECTION B-B

CASE III  
MOUNTED ON HEADWALL  
WITH CURVED OR DEMOLISHED TIP



SECTION C-C

CASE IV  
MOUNTED ON SLAB

All dimensions are in millimeters (inches) unless otherwise shown.

FILE NAME =	USER NAME = schwankeg	DESIGNED -	REVISED -
c:\projects\4366812\4366812-shd-details.dgn		DRAWN -	REVISED -
PLOT SCALE = 103.1218 ' / IN.		CHECKED -	REVISED -
PLOT DATE = May 21, 2008 - 03:37:11 PM		DATE -	REVISED -

STATE OF ILLINOIS  
DEPARTMENT OF TRANSPORTATION

PRE-MGS EFFECTIVE 4-1-06  
GUARDRAIL MOUNTED ON EXISTING CULVERTS  
STANDARD 630101-06 (Sheet 2 of 2)

F.A. RTE.	SECTION	COUNTY	TOTAL SHEETS	SHEET NO.
VAR.	.		36	21
FED. ROAD DIST. NO.			ILLINOIS FED. AID PROJECT	
			CONTRACT NO. 66812	

• 0-3 HIGHWAY DAMAGE REPAIR 2009

SCALE: SHEET NO. OF SHEETS STA. TO STA.