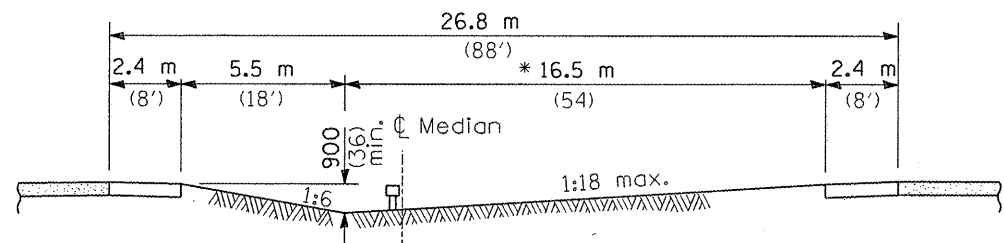
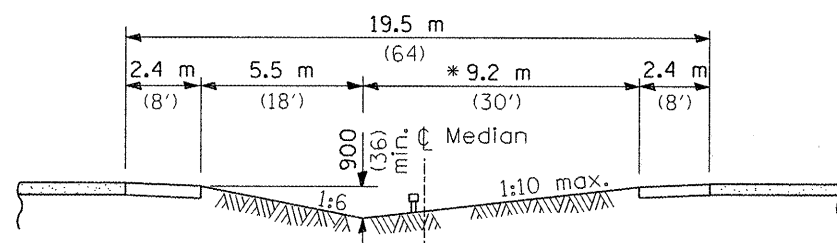


RETURNED END DETAIL

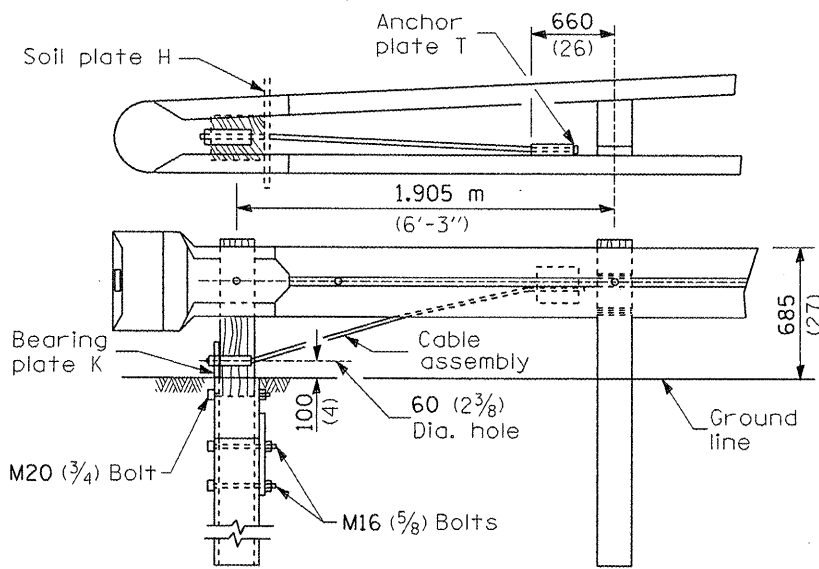
* Adjust this dimension when the width of the shoulders is other than 2.4 m (8').



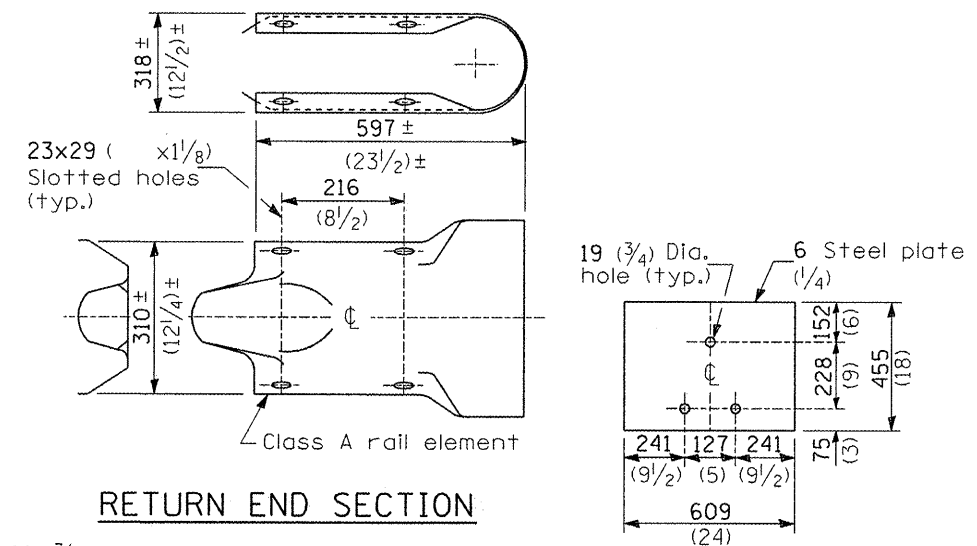
SECTION A-A



SECTION B-B

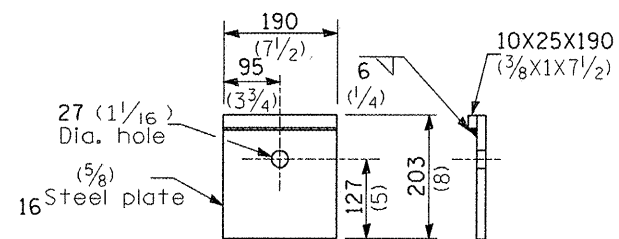


WOOD POST TUBULAR STEEL FOUNDATION

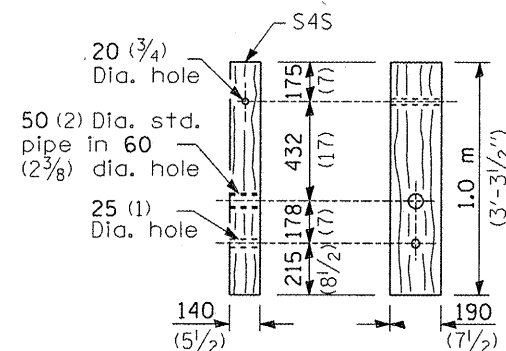


RETURN END SECTION

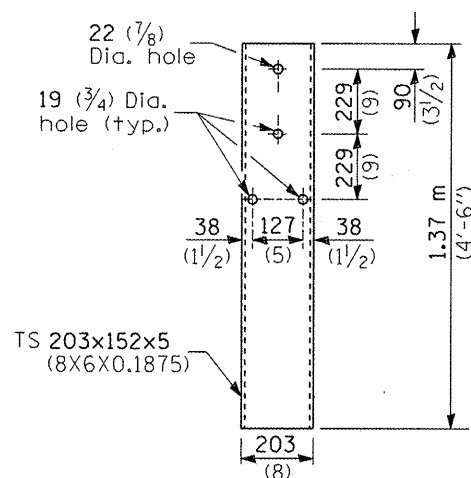
SOIL PLATE H



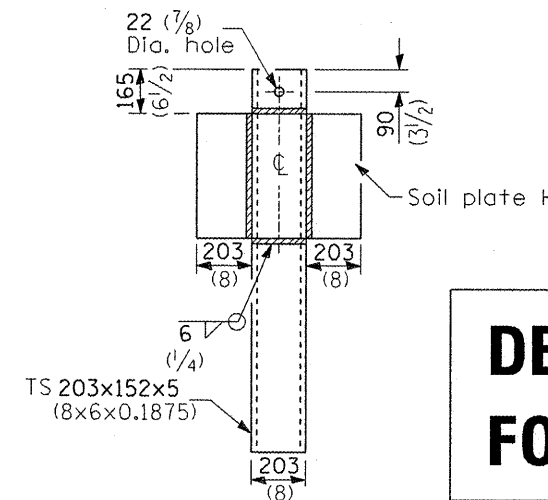
BEARING PLATE K



WOOD BREAKAWAY POST



STEEL TUBE



ALTERNATE SOIL PLATE CONNECTION

DETAIL INCLUDED FOR REPAIR ONLY

All dimensions are in millimeters (inches) unless otherwise shown.

• D-3 HIGHWAY DAMAGE REPAIR 2009

FILE NAME =	USER NAME = schwenker	DESIGNED -	REVISED -
c:\projects\4366812\4366812-shd-detail.dgn		DRAWN -	REVISED -
		CHECKED -	REVISED -
		DATE -	REVISED -

STATE OF ILLINOIS DEPARTMENT OF TRANSPORTATION			
TRAFFIC BARRIER TERMINAL TYPE 4			

SCALE:	SHEET NO.	OF SHEETS	STA.	TO STA.
--------	-----------	-----------	------	---------

F.A. RTE.	SECTION	COUNTY	TOTAL SHEETS	SHEET NO.
VAR.		VAR.	36	15
			CONTRACT NO. 66812	
FED. ROAD DIST. NO. ILLINOIS FED. AID PROJECT				