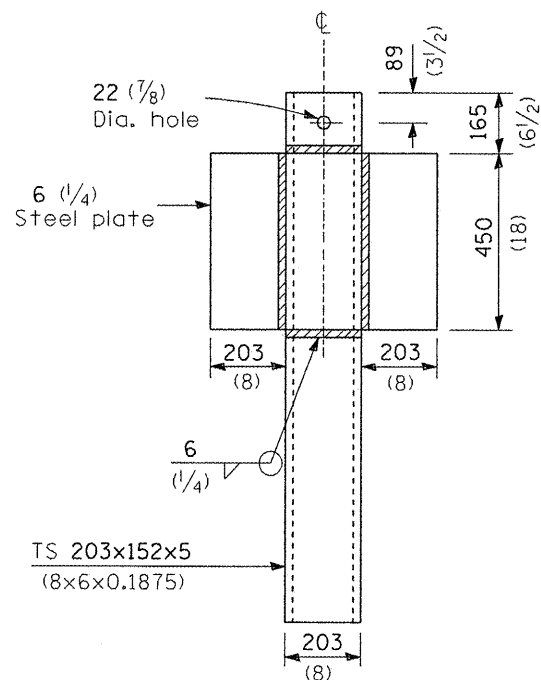
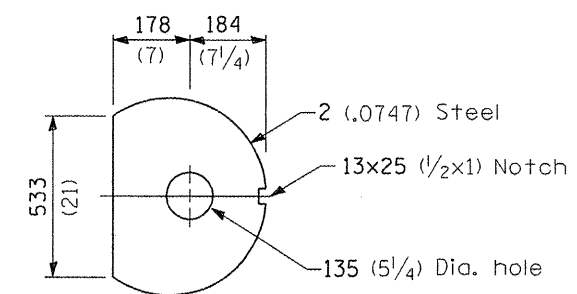


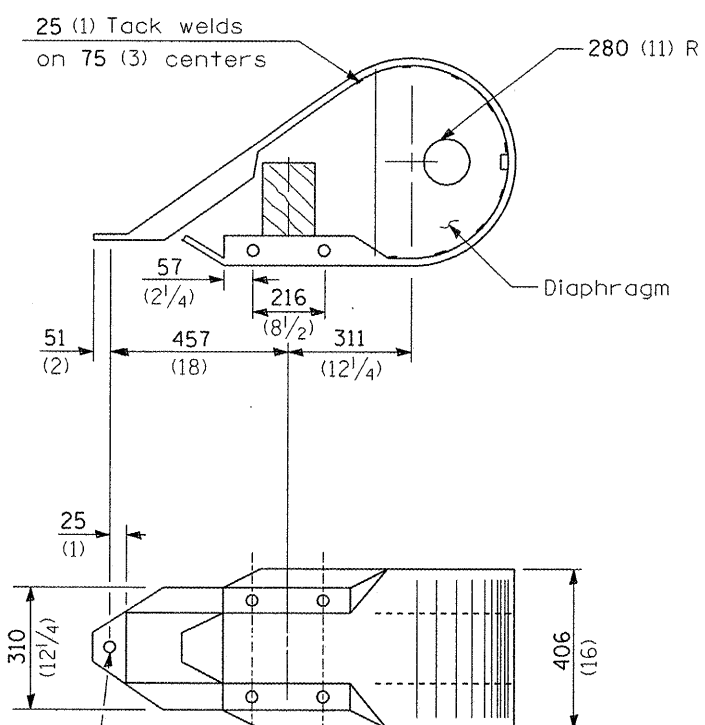
**WOOD BREAKAWAY POST**  
(2 ea.)



**ALTERNATE SOIL PLATE CONNECTION**



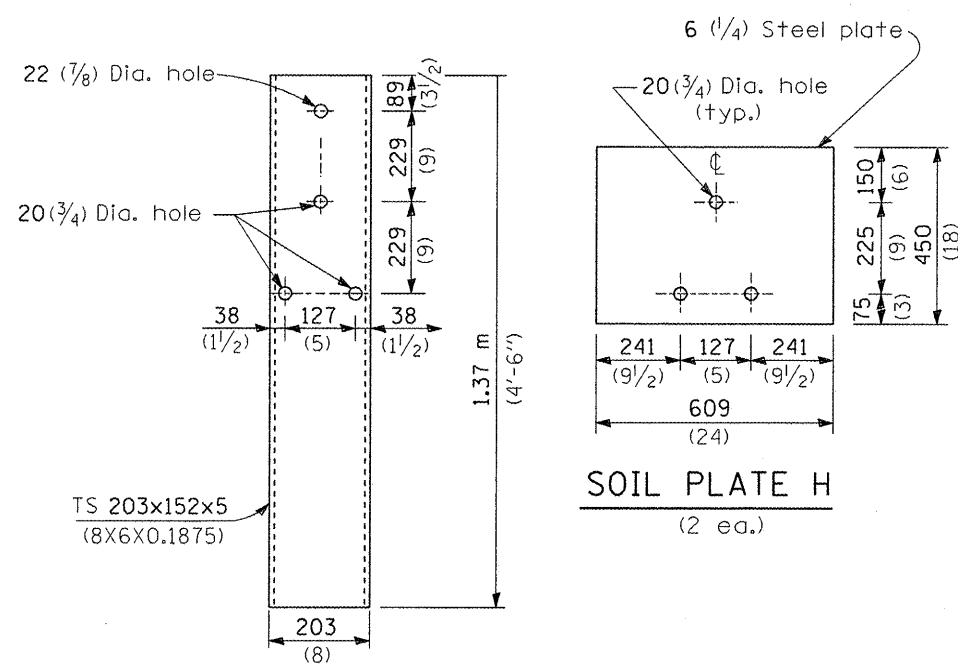
**DIAPHRAGM**  
(2 ea.)



20 (3/4) Dia. hole for M15 (5/8) bolt, use plate Washer F under head and nut at this bolt only.

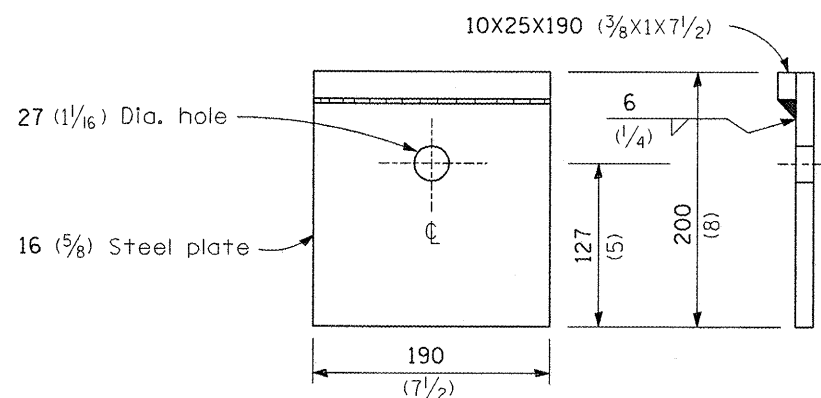
23x29 ( x1/8) Slotted holes for M16 (5/8) splice bolts

**NOSE**  
(1 ea.)



**STEEL TUBE**  
(2 ea.)

**SOIL PLATE H**  
(2 ea.)



**BEARING PLATE K**  
(1 ea.)

**DETAIL INCLUDED FOR REPAIR ONLY**

All dimensions are in millimeters (inches) unless otherwise shown.

• D-3 HIGHWAY DAMAGE REPAIR 2009

FILE NAME =	USER NAME = schwankerg	DESIGNED -	REVISED -
c:\projects\d366812\d366812-sht-details.dgn		DRAWN -	REVISED -
		CHECKED -	REVISED -
		DATE -	REVISED -

**STATE OF ILLINOIS**  
**DEPARTMENT OF TRANSPORTATION**

**TRAFFIC BARRIER TERMINAL TYPE 1**  
**STANDARD B.L.R. 23**

F.A. RTE.	SECTION	COUNTY	TOTAL SHEETS	SHEET NO.
VAR.	.	VAR.	36	10
CONTRACT NO. 66812				
FED. ROAD DIST. NO. ILLINOIS FED. AID PROJECT				