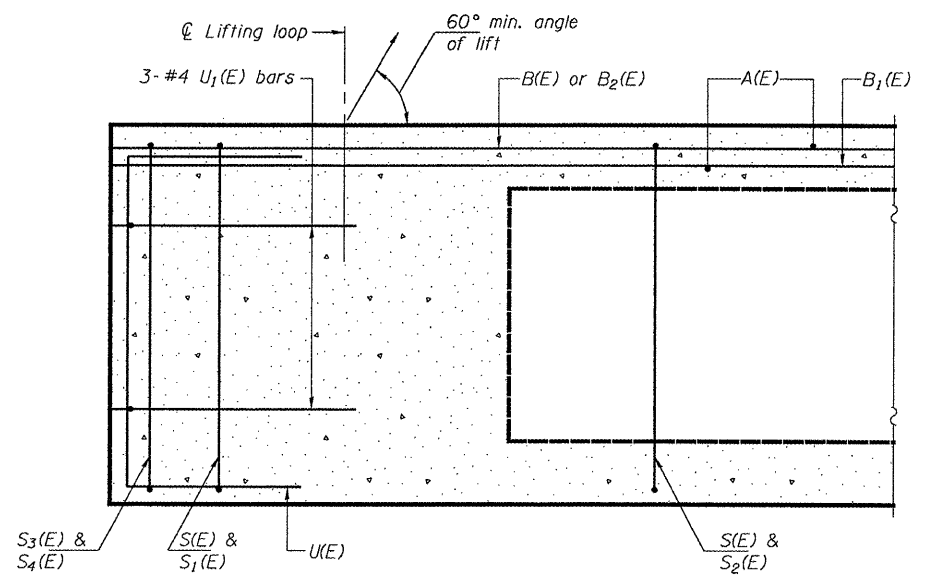


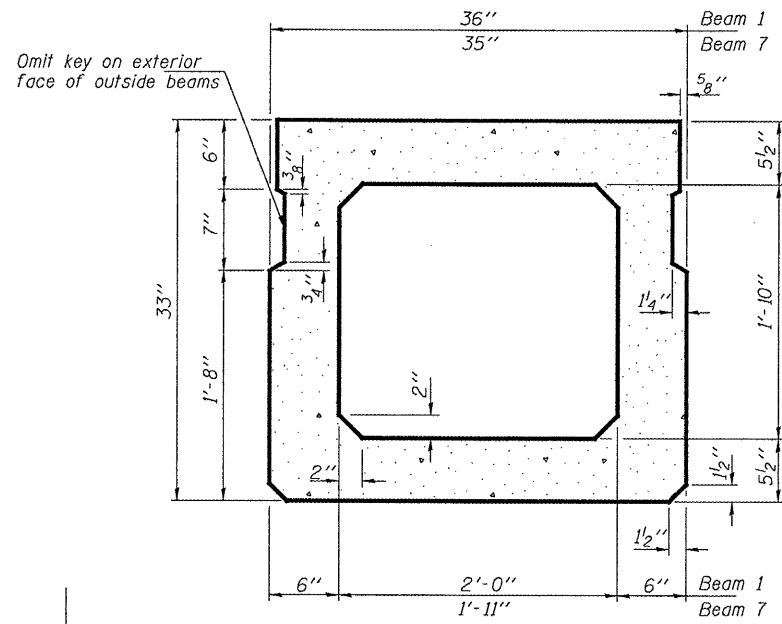
STATE OF ILLINOIS
DEPARTMENT OF TRANSPORTATION

ROUTE NO.	SECTION	COUNTY	TOTAL SHEETS	SHEET NO.	SHEET NO. 20
FAP 623	#	GRUNDY	12	11a	3 SHEETS
FED. ROAD DIST. NO. 7	ILLINOIS	FED. AID PROJECT			

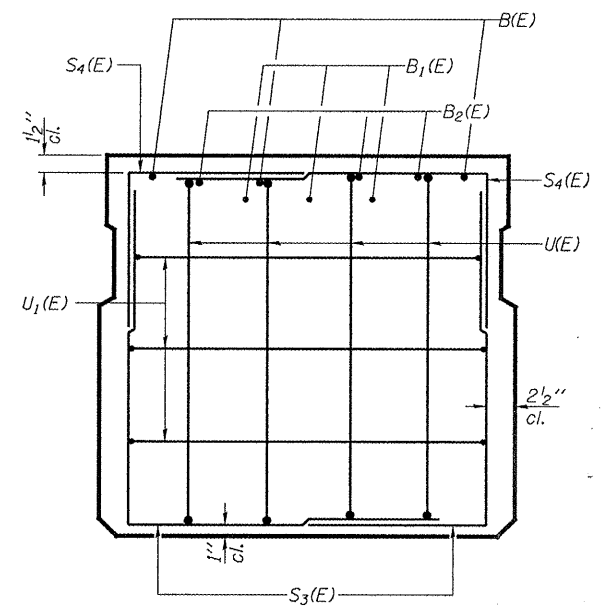
Contract Number: 66808
(0-BR-11)



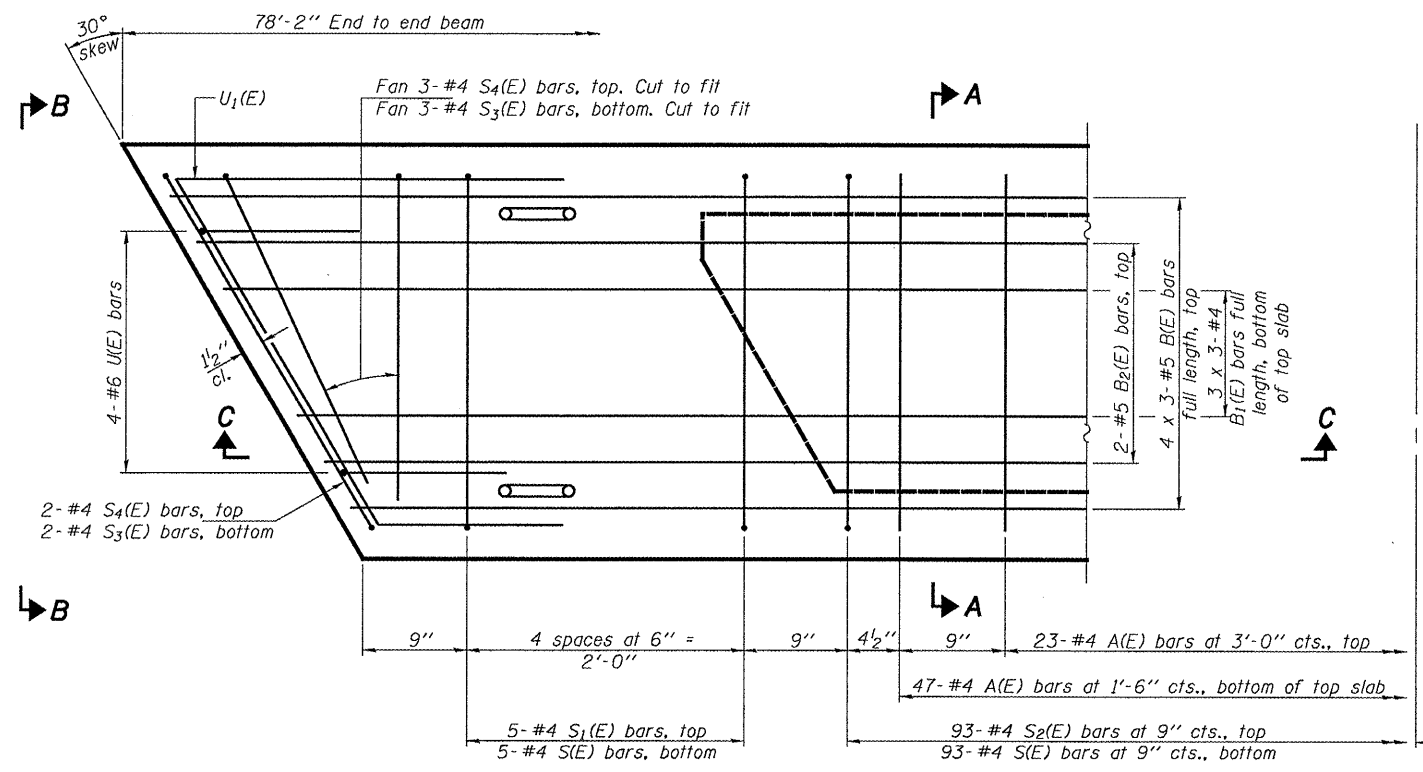
SECTION C-C



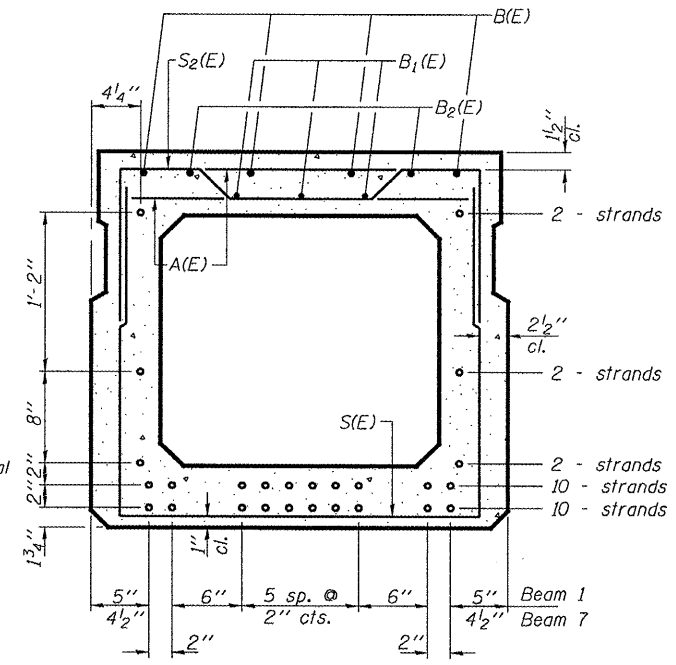
SECTION A-A
(Showing dimensions)



VIEW B-B



PLAN VIEW



SECTION A-A
(Showing reinforcement and permissible strand locations)

Note: Place the number of strands specified in each row symmetrically about the centerline of beam in the permissible strand locations shown.

BAR LIST 36" BEAM
(For Information only)

Bar	No.	Size	Length	Shape
A(E)	70	#4	2'-7"	—
B(E)	12	#5	27'-6"	—
B1(E)	9	#4	27'-3"	—
B2(E)	4	#5	15'-9"	—
S(E)	103	#4	7'-5"	┌
S1(E)	10	#4	6'-3"	┌
S2(E)	93	#4	6'-6"	┌
S3(E)	10	#4	4'-11"	┌
S4(E)	10	#4	4'-4"	┌
U(E)	8	#6	5'-0"	┌
U1(E)	6	#4	6'-10"	┌

BAR LIST 35" BEAM
(For Information only)

Bar	No.	Size	Length	Shape
A(E)	70	#4	2'-7"	—
B(E)	12	#5	27'-6"	—
B1(E)	9	#4	27'-3"	—
B2(E)	4	#5	15'-9"	—
S(E)	103	#4	7'-4"	┌
S1(E)	10	#4	6'-2"	┌
S2(E)	93	#4	6'-5"	┌
S3(E)	10	#4	4'-11"	┌
S4(E)	10	#4	4'-4"	┌
U(E)	8	#6	5'-0"	┌
U1(E)	6	#4	6'-8"	┌

Note: See sheet 2 of 4 for additional details and Bill of Material.

MINIMUM BAR LAPS

#4 bar = 1'-8"
#5 bar = 2'-2"

REPAIR DETAILS
FAP 623
GRUNDY COUNTY
SN 032-0084

DESIGNED	AJB	MAY 2, 2008
CHECKED	VHV	EXAMINED <i>Carl Krusey</i> ENGINEER OF STRUCTURAL SERVICES
DRAWN	baliva	PASSED <i>Ralph E. Anderson</i> ENGINEER OF BRIDGES AND STRUCTURES
CHECKED	AJB VHV	

PD-3336-R 8-29-07