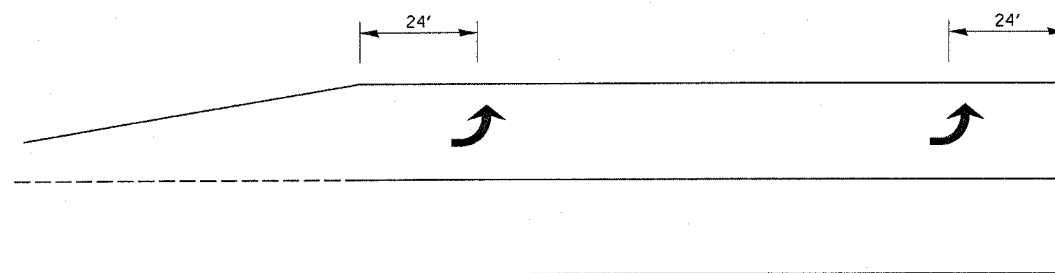
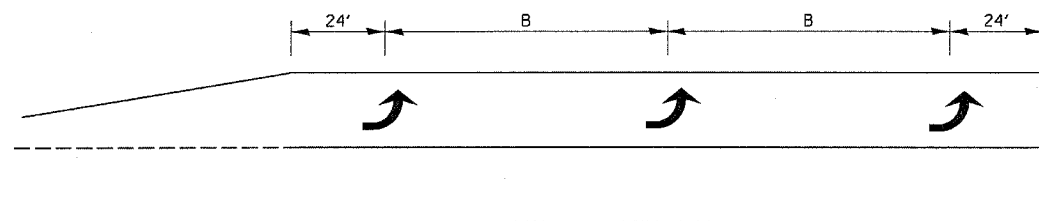


99' AND UNDER

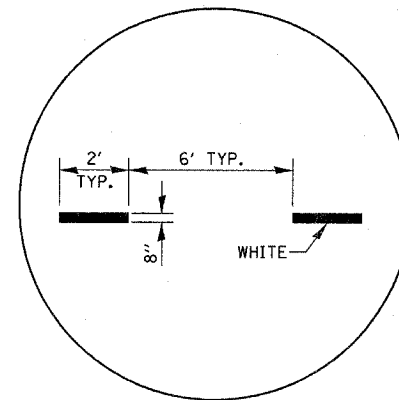


100' TO 149'

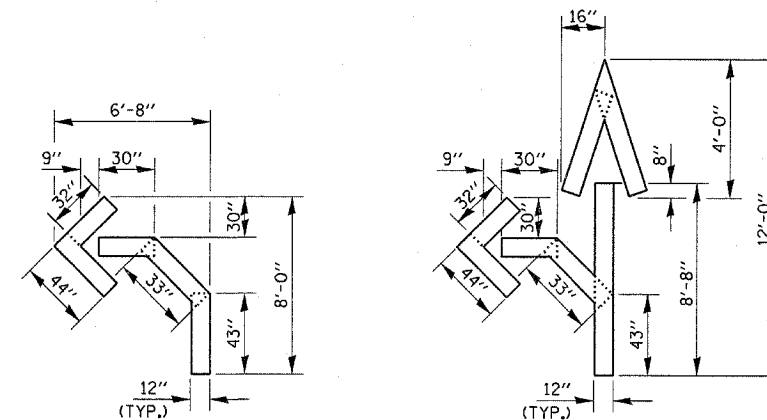


150' AND LONGER

**TYPICAL PLACEMENT OF ARROWS
IN TURN LANES**

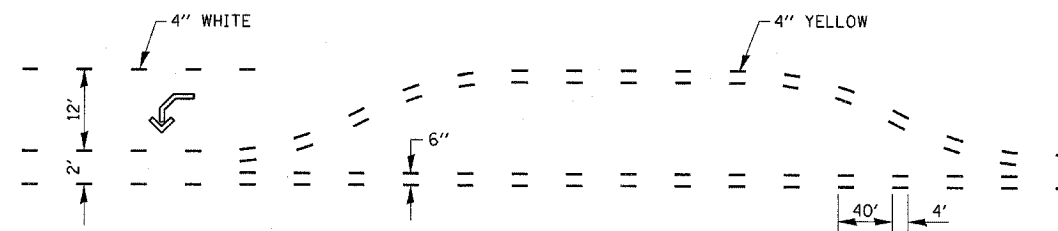


**ADVANCE AND INTERSECTION LANE
DIVIDER LINES**



QUANTITY
12" LINE = 16 LIN. FT.
OR 4" LINE = 48 LIN. FT.

QUANTITY
12" LINE = 29 LIN. FT.
OR 4" LINE = 87 LIN. FT.



**SHORT-TERM PAVEMENT MARKING
FOR MEDIANS AND ARROWS**

FILE NAME =	USER NAME = carpenterdj	DESIGNED -	REVISED -	STATE OF ILLINOIS DEPARTMENT OF TRANSPORTATION	DETAILS	F.A.P. RTE.	SECTION	COUNTY	TOTAL SHEETS	SHEET NO.	
c:\projects\4366806\4366806-shr-details.dgn		DRAWN -	REVISED -			653	(8,29)RS-3	I. ASALLE	12	12	
PLOT SCALE = 50.0000' / IN.		CHECKED -	REVISED -			CONTRACT NO. 66806					
PLOT DATE = Mar 25, 2008 - 01:57:50 PM		DATE -	REVISED -			FED. ROAD DIST. NO. ILLINOIS FED. AID PROJECT					
					SCALE:	SHEET NO.	OF SHEETS	STA.	TO STA.		