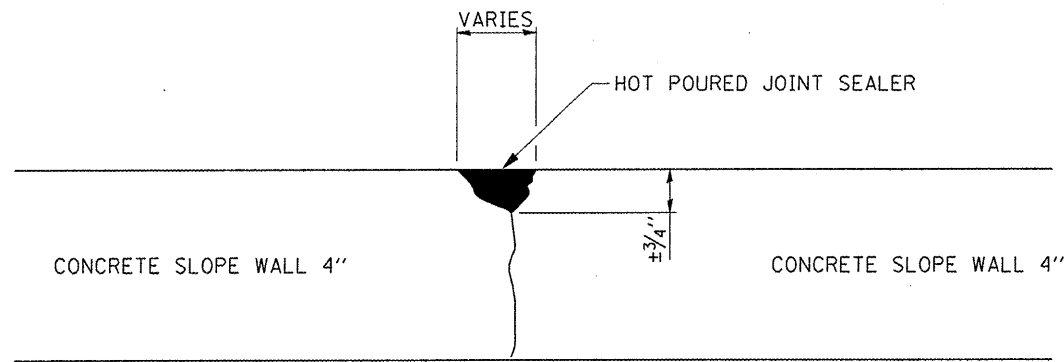
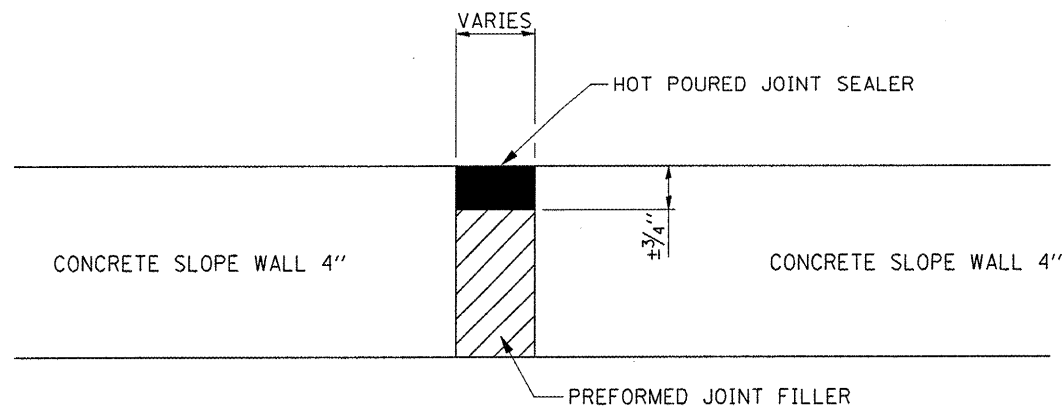


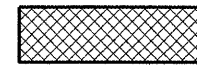
F.A.P. RTE.	SECTION	COUNTY	TOTAL SHEETS	SHEET NO.
330	(1R-B)I-3	KANKAKEE	20	17



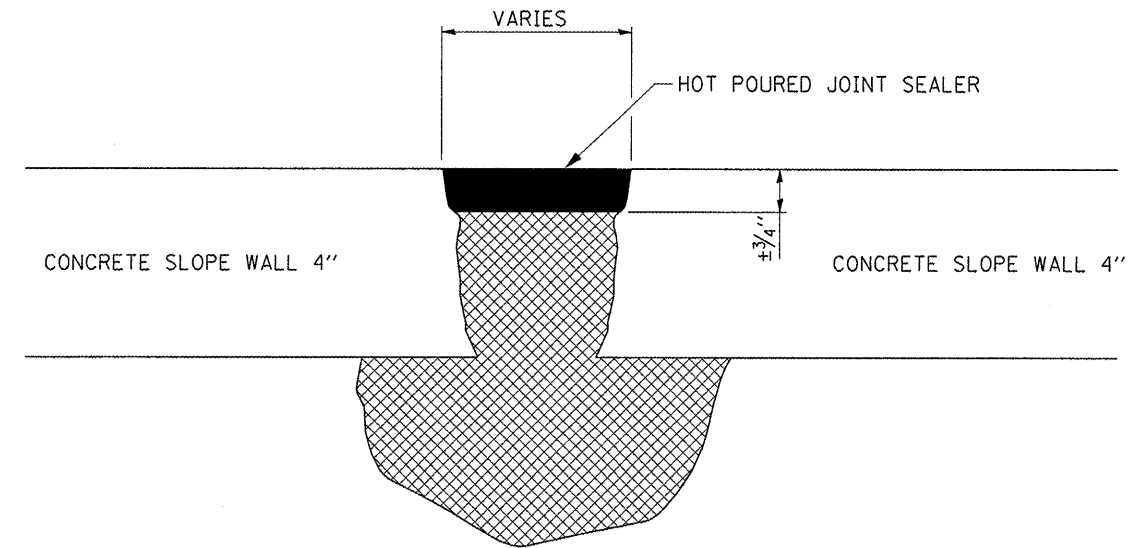
CRACK SEALING



JOINT SEALING



CONTROLLED LOW-STRENGTH MATERIAL



VOID SEALING

NOTES:

ALL CRACKS, JOINTS AND VOIDS SHALL BE FILLED AND SEALED ACROSS THE ENTIRE WIDTH OF SLOPE WALL (OUT TO OUT OF STRUCTURES).

CRACKS NARROWER THAN $1/4$ " SHALL BE ROUTED TO A WIDTH OF $\pm 3/4$ "

CONTROLLED LOW-STRENGTH MATERIAL SHALL BE ACCORDING TO SECTION 593 OF THE STANDARD SPECIFICATIONS.

JOINT ROUTING AND SEALING SHALL BE ACCORDING TO SECTION 452 OF THE STANDARD SPECIFICATIONS.

REVISIONS	
NAME	DATE

ILLINOIS DEPARTMENT OF TRANSPORTATION
CRACK AND JOINT SEALING
AT SLOPE WALLS
 FAP 330 (IL 17) SECTION (1R-B)I-3
 KANKAKEE COUNTY
 STA. 228+10.95
 SN 046-0039 (EB) & SN 046-0040 (WB)

Mar 05, 2008 08:44:26 AM
 c:\pcc\pcc\cma\c09\cm303\detail\ls.dgn