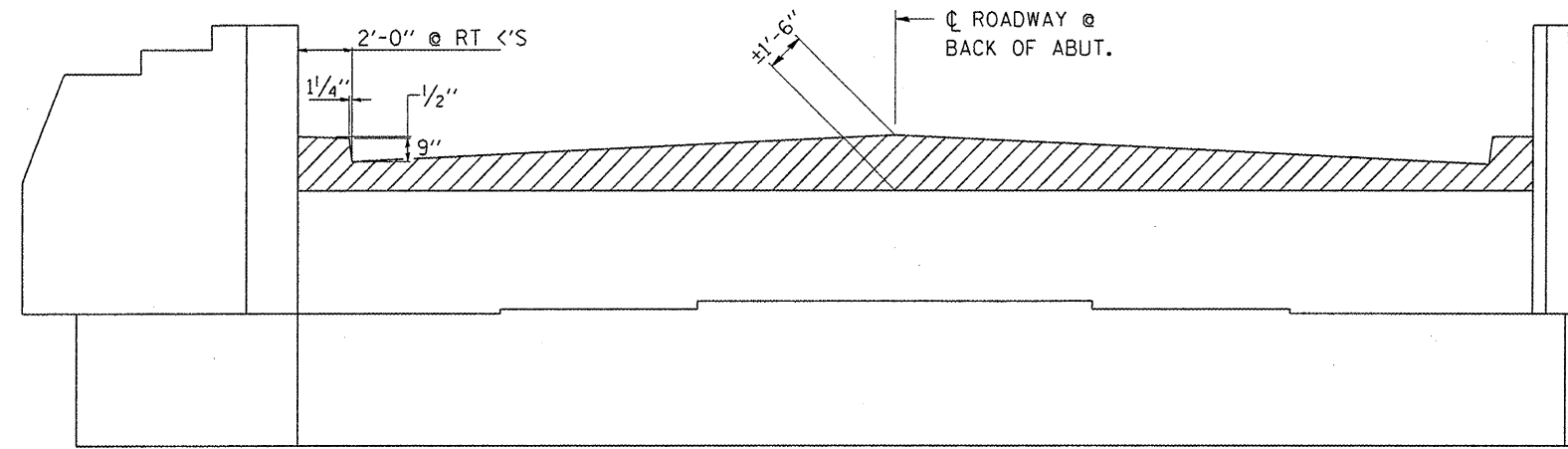


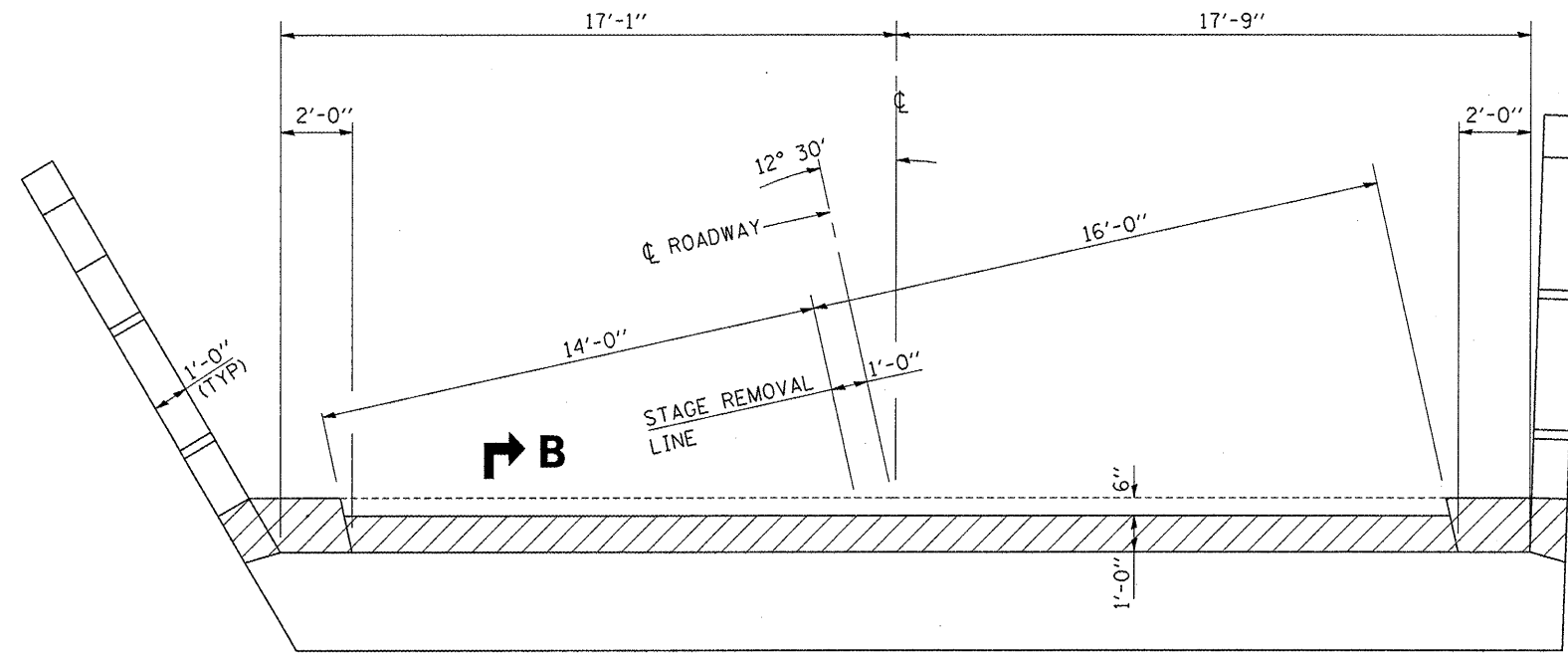
F.A.P. RTE.	SECTION	COUNTY	TOTAL SHEETS	SHEET NO.
330	(1R-B)I-3	KANKAKEE	20	11



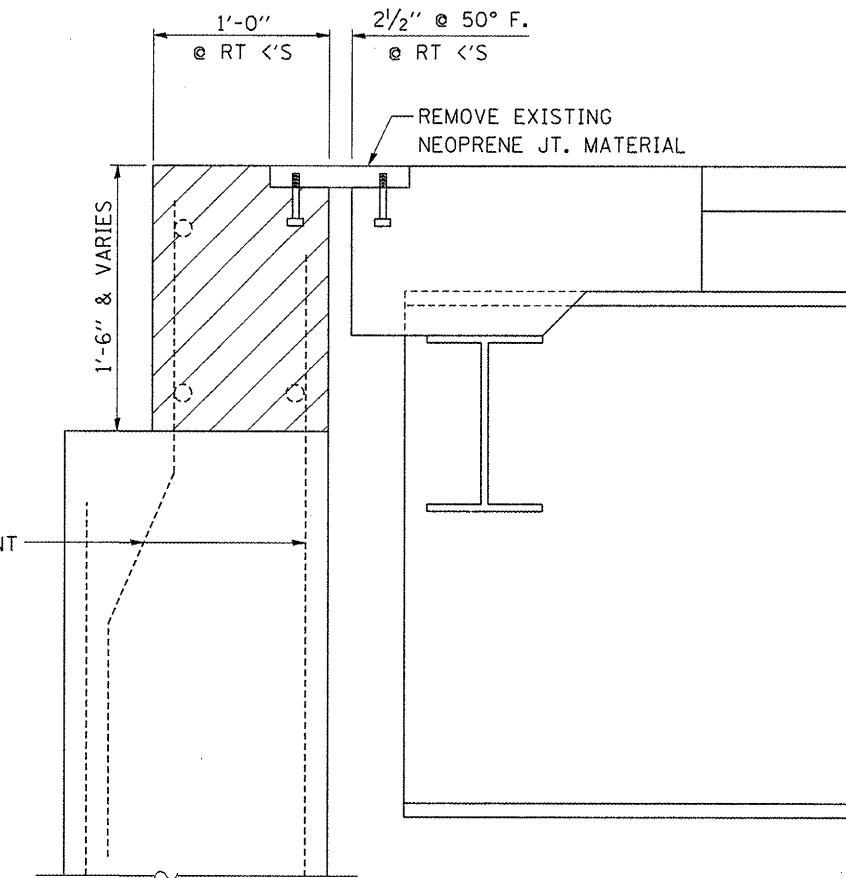
ELEVATION

LOOKING EAST

CONCRETE REMOVAL



PLAN



SECTION B-B

REVISIONS	
NAME	DATE

ILLINOIS DEPARTMENT OF TRANSPORTATION
EXISTING ABUTMENT DETAILS
 FAP 330 (IL 17) SECTION (1R-B)I-3
 KANKAKEE COUNTY
 STA. 228+10.95
 SN 046-0039 (EB) & SN 046-0040 (WB)

Mar 05, 2008 08:39:44 AM
 c:\projects\cma\m09\cm303\detail11.dgn