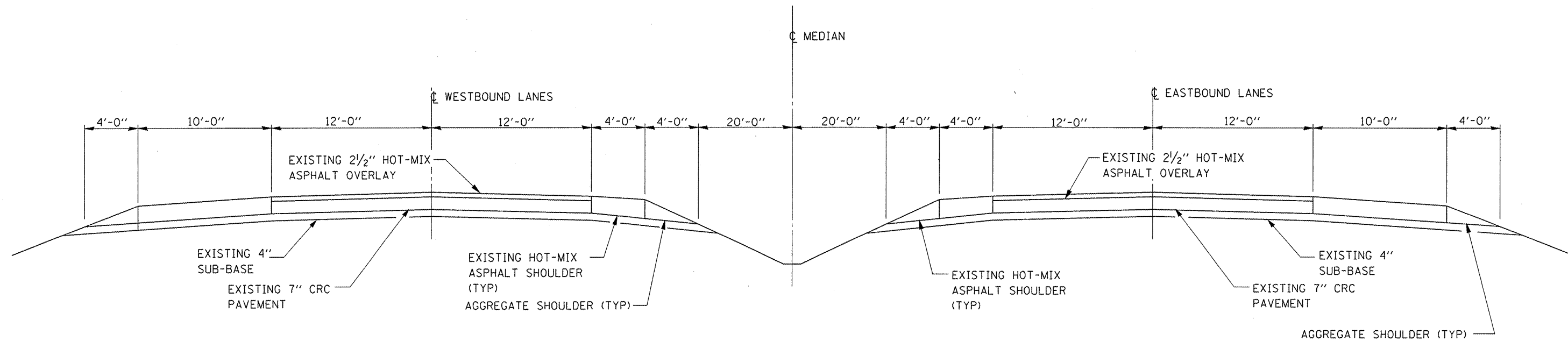


F.A.P. RTE.	SECTION	COUNTY	TOTAL SHEETS	SHEET NO.
330	(1R-B)I-3	KANKAKEE	20	5



**TYPICAL SECTION  
IL 17  
LOOKING EAST**

Mar 05, 2008 - 08:38:09 AM  
 c:\projects\cmal\09\cm303\detail\is.dgn

REVISIONS	
NAME	DATE

ILLINOIS DEPARTMENT OF TRANSPORTATION

**TYPICAL SECTIONS**

FAP 330 (IL 17) SECTION (1R-B)I-3  
 KANKAKEE COUNTY  
 STA. 228 + 10.95  
 SN 046-0039 (EB) & SN 046-0040 (WB)