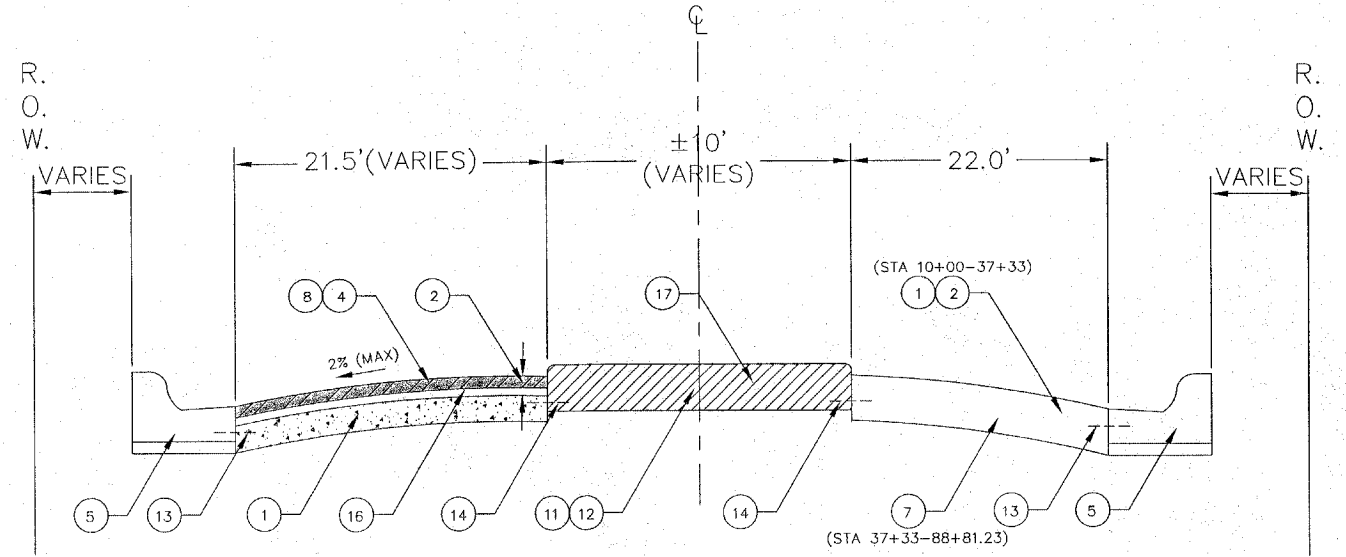


FAU RTE.	SECTION	COUNTY	TOTAL SHEETS	SHEET NO.
1524	08-00027-00-RS	COOK	15	3
STA. 10+00		TO STA. 88+81.23		
FED. ROAD DIST. NO.		ILLINOIS	FED. AID PROJECT	
CONTRACT NO. 63017				

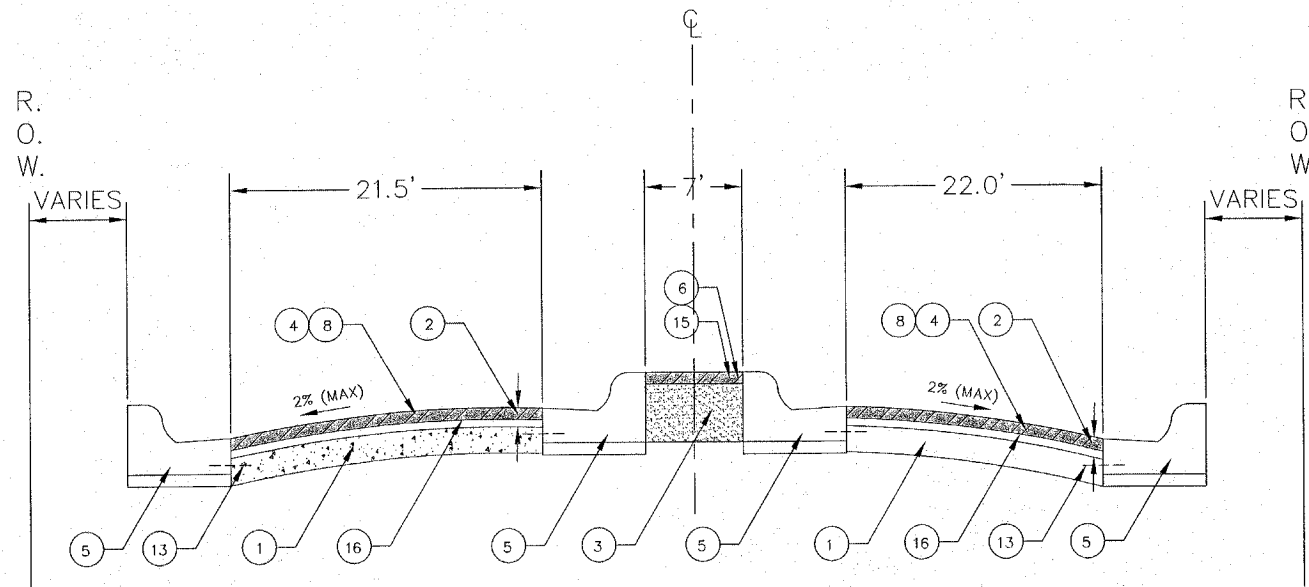
ITEM	AC TYPE	VOIDS
HOT-MIX ASPHALT SURFACE CSE. MIX D, N70 (IL-9.5mm)	PG 64-22	4% AT 70 GYR
LEVELING BINDER (MACHINE METHOD), N70	PG 64-22	4% AT 70 GYR
HOT-MIX ASPHALT MEDIAN SURFACE CSE, MIX C, N50	PG 64-22	4% AT 30 GYR
HMA PLACEMENT OVER PATCHES (HMA BINDER IL-19mm)	PG 64-22**	4% AT 30 GYR

1.) THE UNIT WEIGHT TO CALCULATE ALL HMA SURFACE MIXTURE QUANTITIES IS 112 LBS/SQ YD/IN
 ** WHEN RAP EXCEEDS 20%, THE NEW ASPHALT BINDER IN THE MIX SHALL BE PG. 58-22

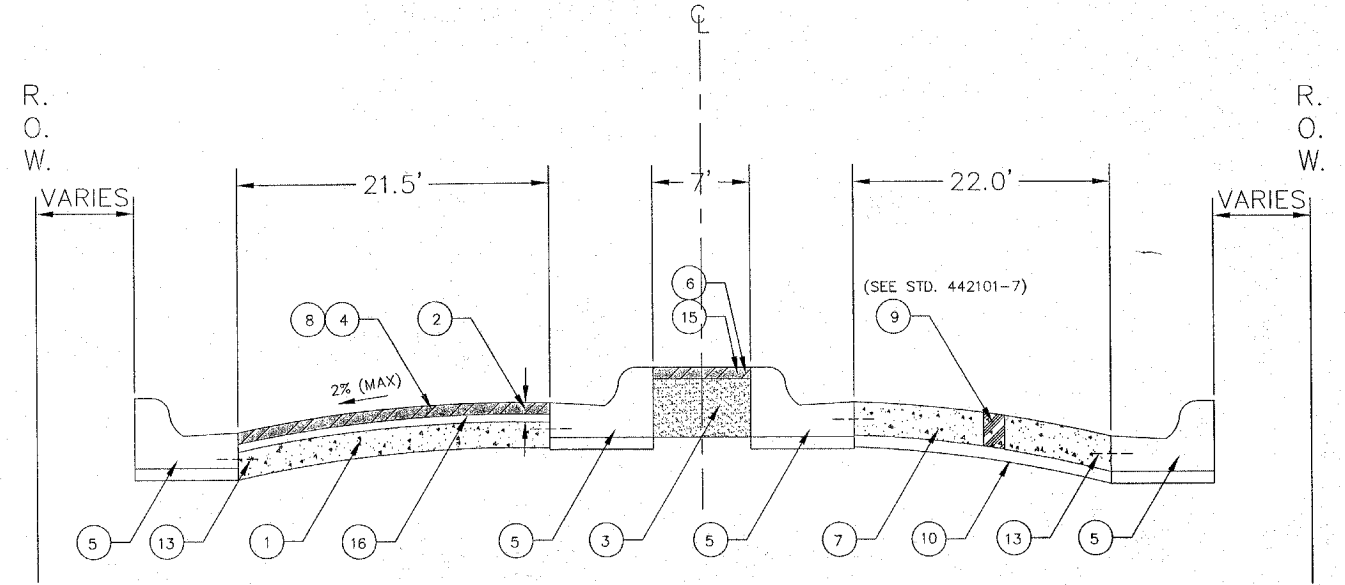
- | | |
|---|--|
| 1 EX. P.C.C. BASE CSE, 9" | 9 CLASS "B" PATCHES (WHERE DIRECTED) |
| 2 EX. ASPHALT SURFACE, 2 1/2"-3 1/2" | 10 EX. SUB-BASE GRANULAR, 4" |
| 3 EX. AGGREGATE BASE, 9" | 11 EX. CORRUGATED MEDIAN, 11 1/2" |
| 4 HOT-MIX ASPHALT SURF. REMOVAL, 2 1/4" | 12 CONCRETE MEDIAN REMOVAL (WHERE DIRECTED) |
| 5 EX. CURB AND GUTTER | 13 EX. TIE BARS |
| 6 MEDIAN SURFACE REMOVAL | 14 PROP. TIE BARS @ 2.5' CTRS (INCIDENTAL TO MEDIAN) |
| 7 EX. P.C.C. PAVEMENT, ±9" | 15 PROP. MEDIAN SURFACE, 2" |
| 8 PROP. HOT-MIX ASPHALT SURF. CSE, MIX D, N70, 2 1/4" | 16 AREA REFLECTIVE CRACK CONTROL TREATMENT |
| | 17 PROP. CORRUGATED MEDIAN (STD. 606306-2) |



TYPICAL CROSS SECTION W/CONCRETE MEDIAN
 65TH STREET (STA 10+00 - 88+81.23)



TYPICAL CROSS SECTION W/RAISED ASPHALT MEDIAN
 65TH STREET (STA 10+00 - 37+33)



TYPICAL CROSS SECTION W/RAISED ASPHALT MEDIAN
 65TH STREET (STA 37+33 - 88+81.23)

hbe Hoeflerle-Butler Engineering, Inc.
 Consulting Civil Engineers • Land Surveyors
 PROFESSIONAL DESIGN FIRM LICENSE NO. 184-008619
 8714 S. ROBERTS ROAD HICKORY HILLS, ILLINOIS 60427
 (708) 599-8980 (708) 599-8980 FAX (708) 599-8790

REVISIONS	
NAME	DATE
S. LEIBER	02/15/08

ILLINOIS DEPARTMENT OF TRANSPORTATION
 VILLAGE OF BEDFORD PARK
 65TH STREET RESURFACING
 AUSTIN AVE. TO CICERO AVE.
 TYPICAL CROSS SECTIONS
 STA. 10+00 - STA. 88+81.23
 SCALE: HORIZ. N.T.S.
 DATE: 10/17/07
 DRAWN BY: ECC
 CHECKED BY: SAL