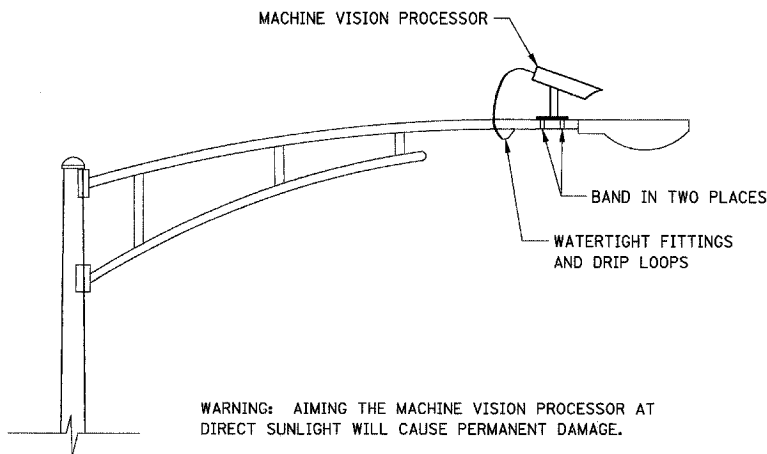
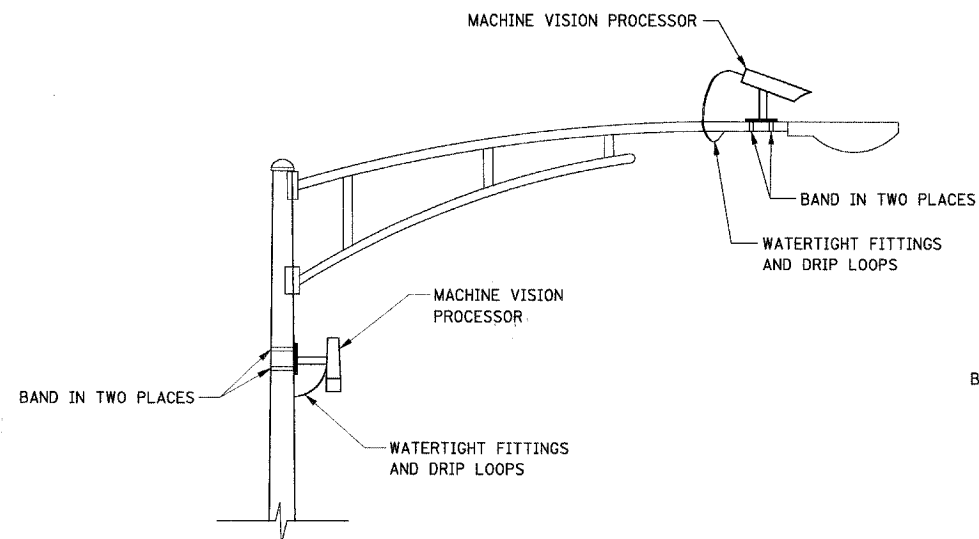


SURVEYED BY DATE
 PLANNED BY
 CHECKED BY
 RT. OF WAY CHECKED
 CADD FILE NAME
 PLAN NO.
 NOTE BOOK NO.
 SURVEYED BY DATE
 PLANNED BY
 CHECKED BY
 RT. OF WAY CHECKED
 CADD FILE NAME
 PROFILE NO.
 NOTE BOOK NO.
 SURVEYED BY DATE
 PLANNED BY
 CHECKED BY
 RT. OF WAY CHECKED
 CADD FILE NAME
 STRUCTURE NOTATION CRKD

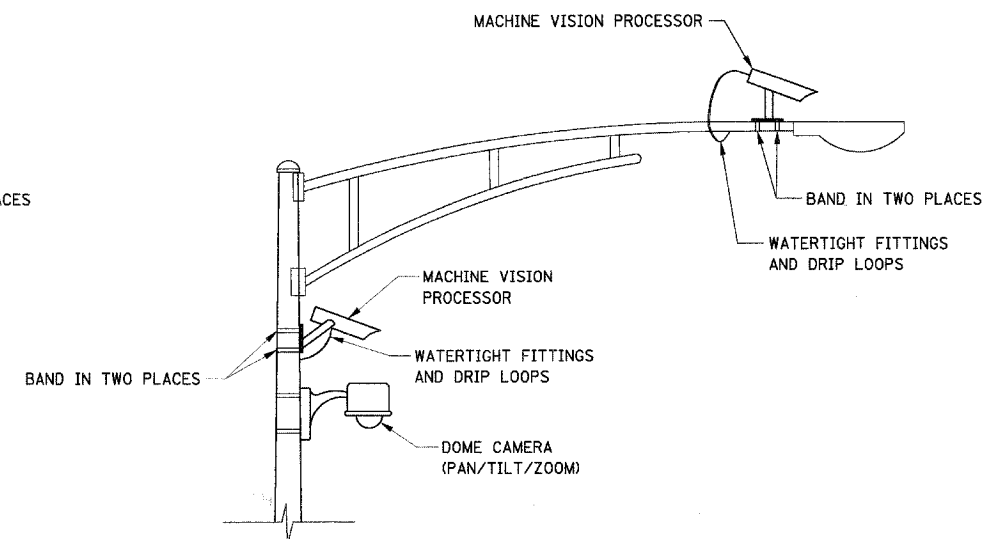
CHRISTOPHER B. BURKE
 ENGINEERING LTD.
 9575 West Higgins Road, Suite 600
 Rosemont, Illinois 60018
 (847) 823-0500



MACHINE VISION PROCESSOR MOUNTING DETAIL
 (NOT TO SCALE)

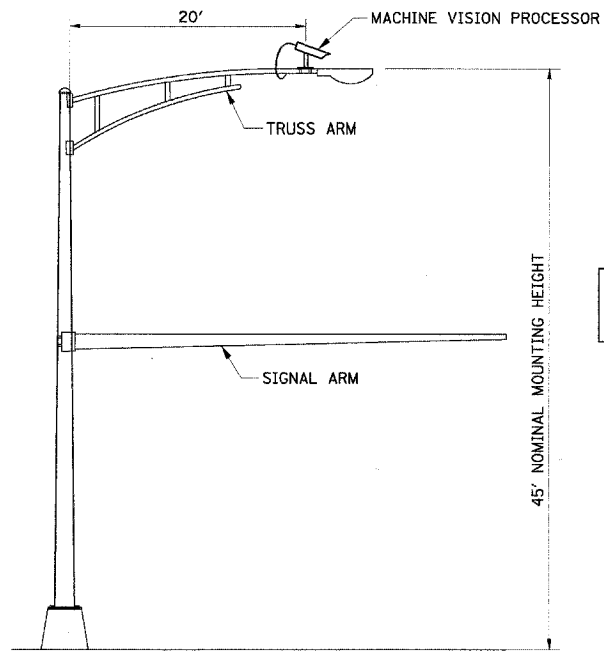


DUAL MACHINE VISION PROCESSORS MOUNTING DETAIL
 (NOT TO SCALE)



DUAL MACHINE VISION PROCESSORS AND DOME (PTZ) CAMERA MOUNTING DETAIL
 (NOT TO SCALE)

NOTES FOR SINGLE, DUAL AND MULTIPLE MVP MOUNTING:
 - MOUNT LUMINAIRE MOUNTING BRACKET AS HIGH AS POSSIBLE.
 - AIM BRACKET TOWARD DIRECTION OF TRAFFIC TO BE DETECTED.
 - MOUNT MACHINE VISION PROCESSOR AIMING DOWN AT 30 DEGREE ANGLE.



COMBINATION MAST ARM ASSEMBLY AND POLE DIMENSIONS
 (NOT TO SCALE)

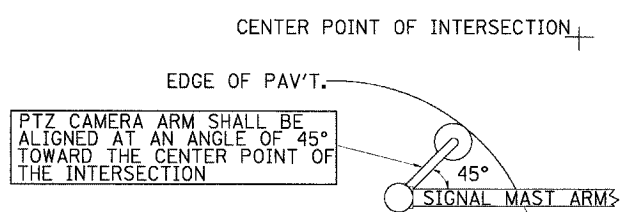
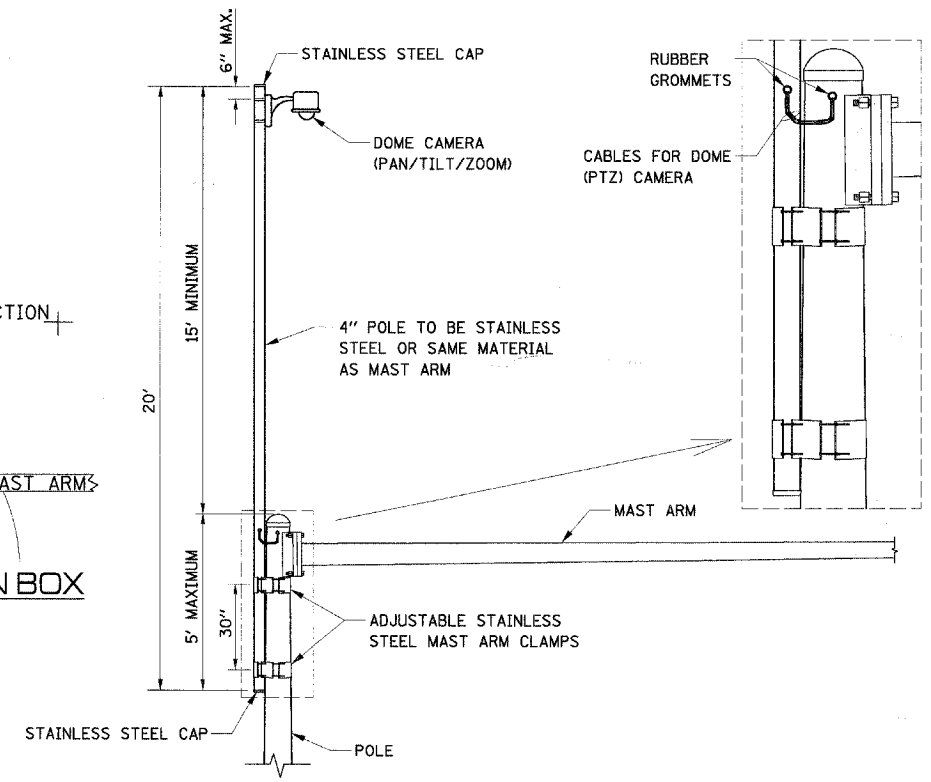


IMAGE SENSOR AND JUNCTION BOX MOUNTING DETAILS
 (NO SCALE)



CAMERA MOUNTING ASSEMBLY DETAIL
 (NOT TO SCALE)

FILE NAME : h:\kane\county\878616\Traffic\det_videod.dgn	USER NAME = MWILLIAM	DESIGNED -	REVISED -	STATE OF ILLINOIS DEPARTMENT OF TRANSPORTATION	VIDEO DETECTION DETAILS	F.A.P. RTE. 336	SECTION 06-00346-00-TL	COUNTY KANE	TOTAL SHEETS 69	SHEET NO. 69	
	PILOT SCALE = 22'	DRAWN -	REVISED -			CONTRACT NO. 63011		FED. ROAD DIST. NO.		ILLINOIS FED. AID PROJECT	
	PILOT DATE = 1/28/2008	CHECKED -	REVISED -			SCALE:					
		DATE -	REVISED -								