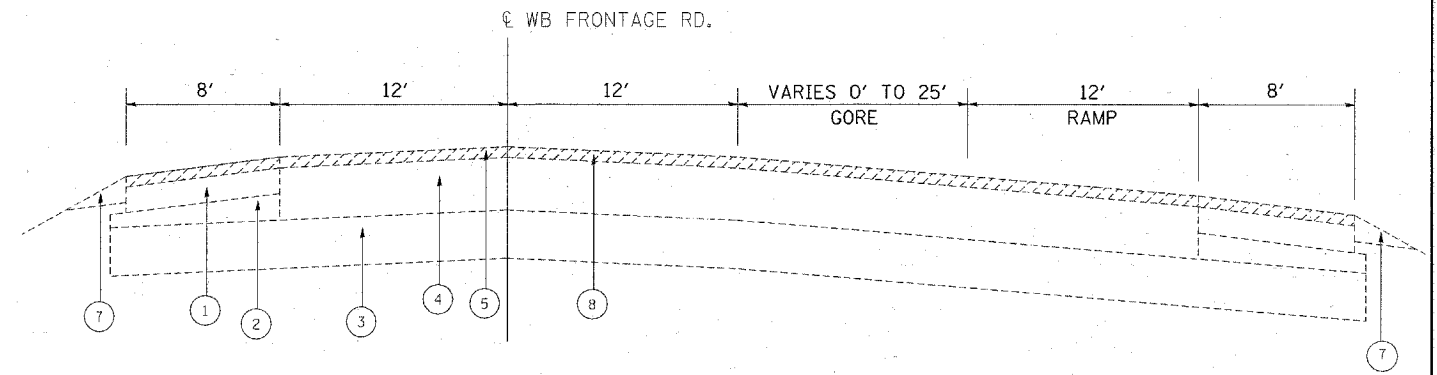
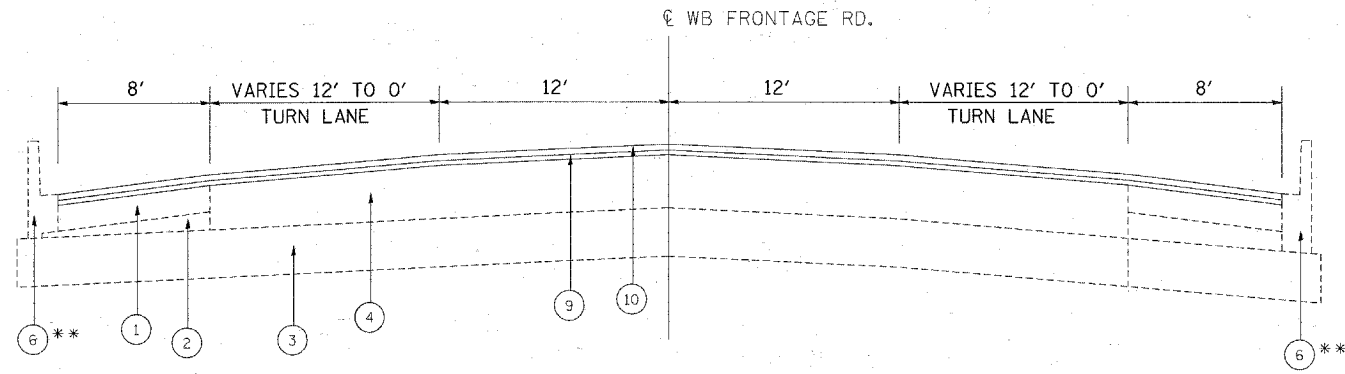


EXISTING TYPICAL SECTION  
W/B ELGIN-O'HARE (FRONTAGE ROAD)  
STA. 16+34 TO STA. 20+75  
STA. 38+00 TO STA. 42+96

\*\*REFER TO PLAN FOR LOCATIONS OF CURB & GUTTER

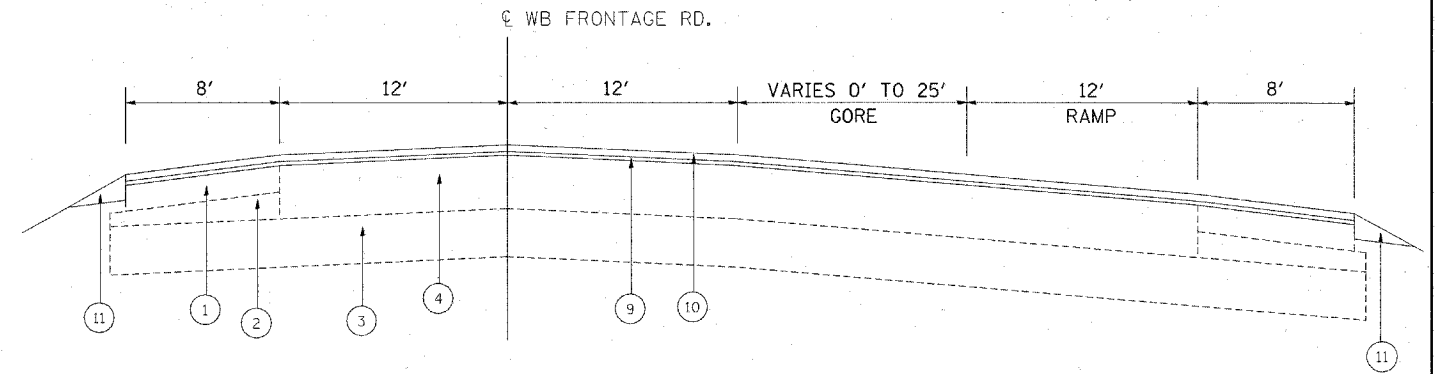


EXISTING TYPICAL SECTION  
W/B ELGIN-O'HARE (FRONTAGE ROAD)  
STA. 20+75 TO STA. 25+64



PROPOSED TYPICAL SECTION  
W/B ELGIN-O'HARE (FRONTAGE ROAD)  
STA. 16+34 TO STA. 20+75  
STA. 38+00 TO STA. 42+96

\*\*REFER TO PLAN FOR LOCATIONS OF CURB & GUTTER



PROPOSED TYPICAL SECTION  
W/B ELGIN-O'HARE (FRONTAGE ROAD)  
STA. 20+75 TO STA. 25+64

**LEGEND**

- ① EXISTING HMA SHOULDER 8"
- ② EXISTING SUB-BASE GRANULAR MATERIAL, TYPE B
- ③ EXISTING AGGREGATE SUBGRADE, 12"
- ④ EXISTING HMA BINDER COURSE, TYPE 2, 12"
- ⑤ EXISTING HMA SURFACE COURSE, 1 1/2"
- ⑥ EXISTING COMBINATION CONCRETE CURB AND GUTTER, TYPE B-6.24
- ⑦ EXISTING AGGREGATE SHOULDER TYPE B
- ⑧ PROPOSED HOT-MIX ASPHALT SURFACE REMOVAL, 2 1/4"
- ⑨ PROPOSED POLYMERIZED LEVELING BINDER (MACHINE METHOD), IL-4.75, N50, 3/4"
- ⑩ PROPOSED HOT-MIX ASPHALT SURFACE COURSE, MIX "D", N70, 1 1/2"
- ⑪ PROPOSED AGGREGATE WEDGE SHOULDER, TYPE B

FILE NAME = e:\projects\dl34708\dl34708.dgn	USER NAME = bankat	DESIGNED -	REVISED -	<b>STATE OF ILLINOIS DEPARTMENT OF TRANSPORTATION</b>	<b>ELGIN-O'HARE (FRONTAGE ROAD) TYPICAL SECTIONS</b>	F.A.P. RTE. 345	SECTION 16-2-1-K-RS	COUNTY COOK	TOTAL SHEETS 31	SHEET NO. 5
PLOT SCALE = 50.0000' / IN.	PLOT DATE = 4/1/2008	DRAWN -	REVISD -	SCALE: NTS	SHEET NO. OF SHEETS	STA. X	TO STA. X	CONTRACT NO. 60E26		
		CHECKED -	REVISD -					FED. ROAD DIST. NO. 1 ILLINOIS FED. AID PROJECT		
		DATE -	REVISD -							