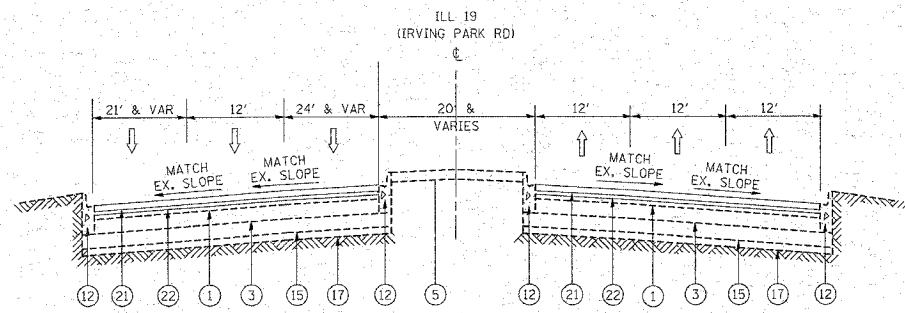
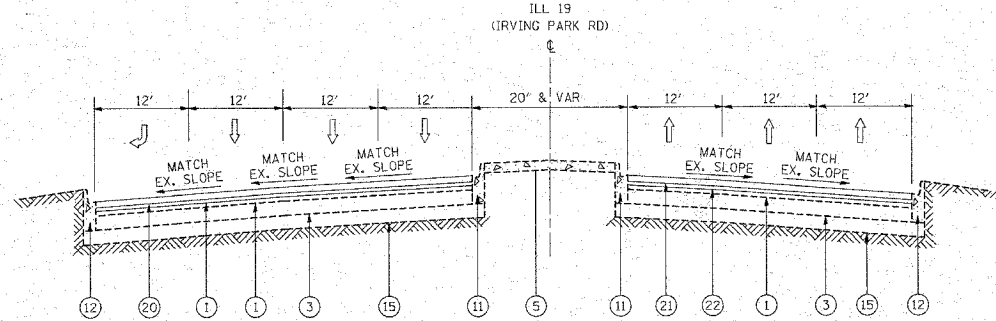


F.A.U. RTE.	SECTION	COUNTY	TOTAL SHEETS	SHEET NO.
1321	0711 RS-2	COOK	38	11
STA.		TO STA.		
FED. ROAD DIST. NO. 1		ILLINOIS FED. AID PROJECT		

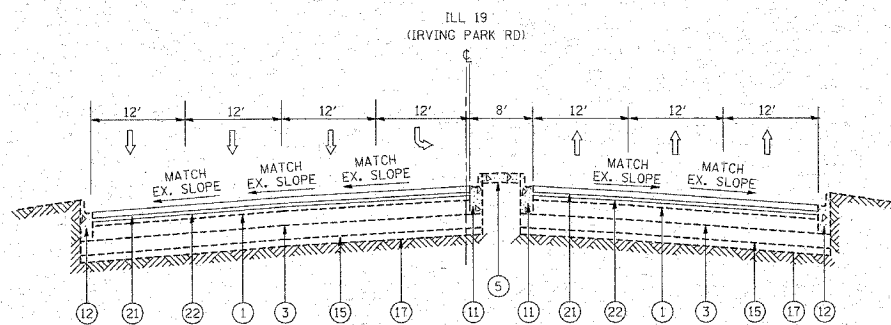
CONTRACT NO. 60A49



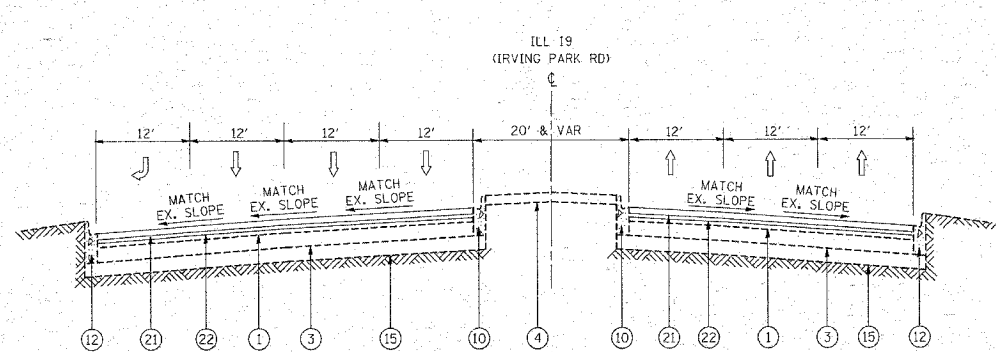
PROPOSED TYPICAL SECTION
STA. 39+88 TO STA. 42+27



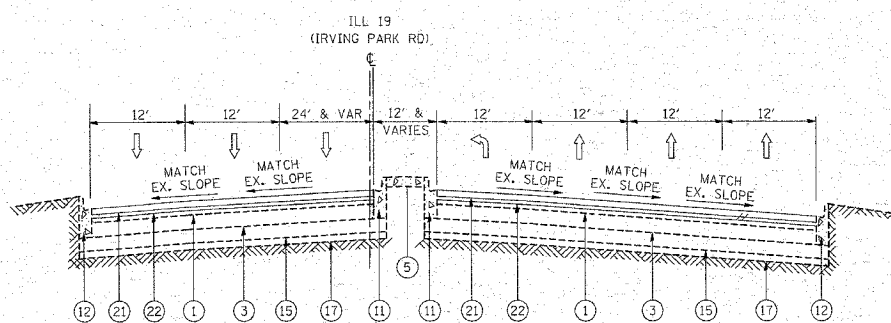
PROPOSED TYPICAL SECTION
STA. 50+27 TO STA. 61+03



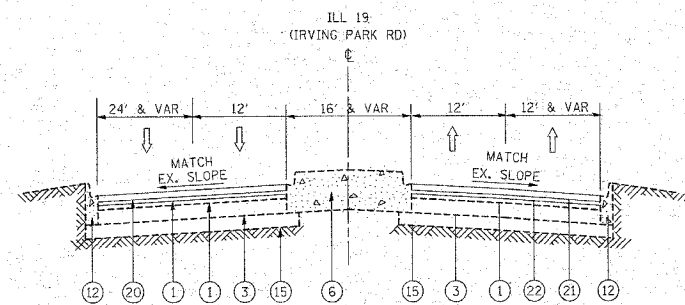
PROPOSED TYPICAL SECTION
STA. 42+27 TO STA. 43+45



PROPOSED TYPICAL SECTION
STA. 51+03 TO STA. 52+82



PROPOSED TYPICAL SECTION
STA. 43+45 TO STA. 50+27



PROPOSED TYPICAL SECTION
STA. 52+82 TO STA. 61+94

LEGEND

- ① EXISTING HOT-MIX ASPHALT SURFACING
 - ② EXISTING PCC BASE COURSE, 9" (±)
 - ③ EXISTING HOT-MIX ASPHALT BASE COURSE, 12" (±)
 - ④ EXISTING STABILIZED MEDIAN SURFACE
 - ⑤ EXISTING CONCRETE MEDIAN SURFACE, 4" (±)
 - ⑥ EXISTING CONCRETE MEDIAN, TYPE SM-2.12
 - ⑦ EXISTING CONCRETE MEDIAN, TYPE SB-9.12
 - ⑧ EXISTING CONCRETE MEDIAN, TYPE SB-6.12
 - ⑨ EXISTING CONCRETE MEDIAN, TYPE SB-6.24
 - ⑩ EXISTING COMBINATION CONCRETE CURB AND GUTTER, TYPE M-2.12
 - ⑪ EXISTING COMBINATION CONCRETE CURB AND GUTTER, TYPE B-6.12
 - ⑫ EXISTING COMBINATION CONCRETE CURB AND GUTTER, TYPE B-6.24
 - ⑬ EXISTING #5 DEFORMED TIE BARS, 18" LONG 30" CENTER
 - ⑭ EXISTING STABILIZED SUB BASE, 4"
 - ⑮ EXISTING AGGREGATE SUBGRADE, 12"
 - ⑯ EXISTING SUB BASE GRANULAR MATERIAL, TYPE B
 - ⑰ EXISTING POROUS GRANULAR EMBANKMENT, SPECIAL
 - ⑱ EXISTING HOT-MIX ASPHALT SHOULDER, 8"
 - ⑲ EXISTING AGGREGATE WEDGE SHOULDER, TYPE B
 - ⑳ PROPOSED HOT-MIX ASPHALT SURFACE REMOVAL, 2-1/2"
 - ㉑ PROPOSED POLYMERIZED HOT-MIX ASPHALT SURFACE COURSE, MIX "F", N90, 1-3/4"
 - ㉒ PROPOSED POLYMERIZED LEVELING BINDER (MM) IL-4.75, N50, 3/4"
 - * ㉓ PROPOSED COMBINATION CONCRETE CURB AND GUTTER REMOVAL AND REPLACEMENT
 - ㉔ PROPOSED AGGREGATE WEDGE SHOULDER, TYPE B
 - ㉕ PROPOSED GRADING AND SHAPING SHOULDERS
- * LOCATIONS TO BE DETERMINED BY THE ENGINEER

REVISIONS	
NAME	DATE

ILLINOIS DEPARTMENT OF TRANSPORTATION
FAU 1321: ILL 19 (IRVING PARK ROAD)
WISE ROAD TO COOK-DUPAGE COUNTY LINE
EXISTING AND PROPOSED
TYPICAL SECTIONS

SCALE: VERT. _____
 HORIZ. _____

DATE _____ DRAWN BY _____
 CHECKED BY _____

PLOT DATE = 4/2/2008
 FILE NAME = c:\p\projects\1186226\asign.eodgn
 PLOT SCALE = 5/8"=1' IN.
 USER NAME = galbenn