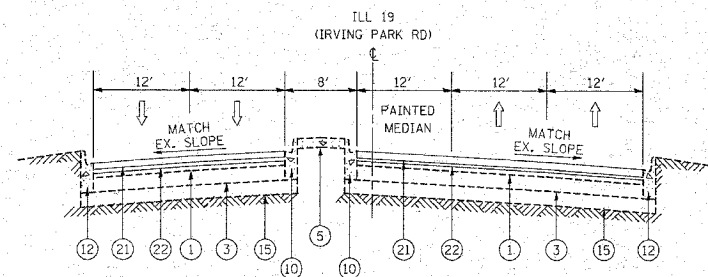
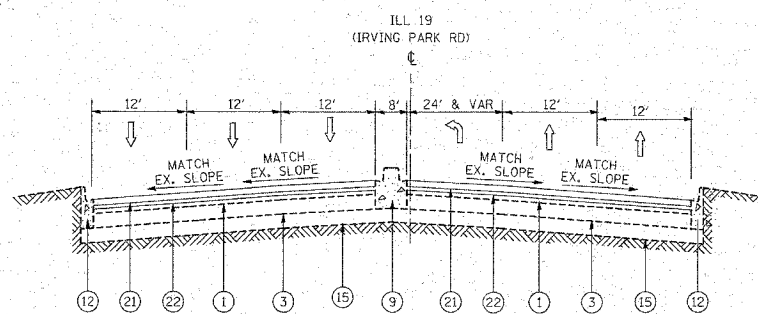


F.A.U. RTE.	SECTION	COUNTY	TOTAL SHEETS	SHEET NO.
1321	0711 RS-2	COOK	38	10
STA.		TO STA.		
FED. ROAD DIST. 1		ILLINOIS	FED. AID PROJECT	

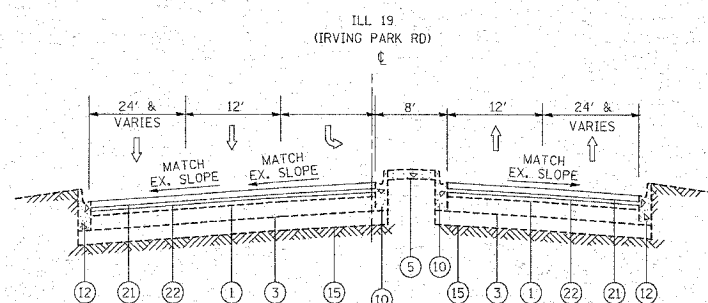
CONTRACT NO. 60A49



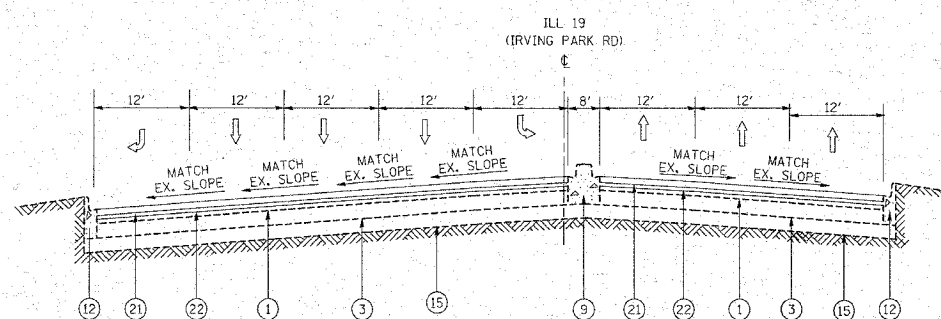
EXISTING TYPICAL SECTION
STA. 23+58 TO STA. 26+78



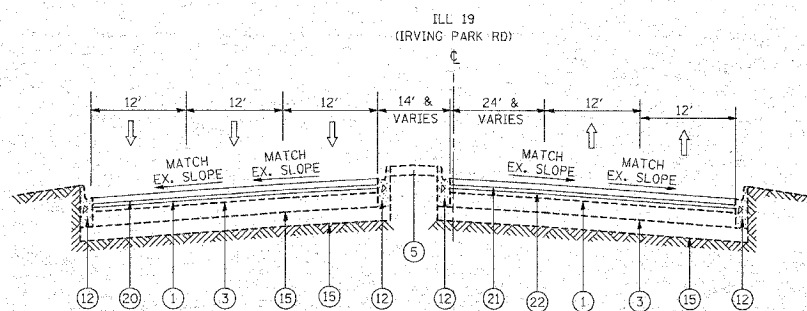
PROPOSED TYPICAL SECTION
STA. 32+33 TO STA. 35+39



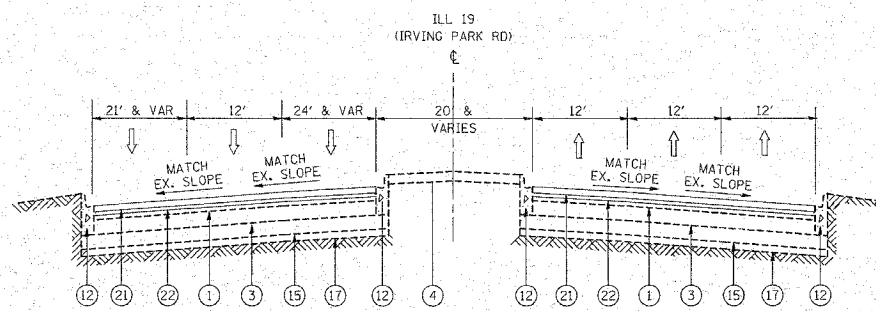
PROPOSED TYPICAL SECTION
STA. 26+78 TO STA. 28+76



PROPOSED TYPICAL SECTION
STA. 35+39 TO STA. 37+15



PROPOSED TYPICAL SECTION
STA. 28+76 TO STA. 32+33



PROPOSED TYPICAL SECTION
STA. 37+15 TO STA. 39+88

LEGEND

- ① EXISTING HOT-MIX ASPHALT SURFACING
- ② EXISTING PCC BASE COURSE, 9" (+)
- ③ EXISTING HOT-MIX ASPHALT BASE COURSE, 12" (+)
- ④ EXISTING STABILIZED MEDIAN SURFACE
- ⑤ EXISTING CONCRETE MEDIAN SURFACE, 4" (+)
- ⑥ EXISTING CONCRETE MEDIAN, TYPE SM-2.12
- ⑦ EXISTING CONCRETE MEDIAN, TYPE SB-9.12
- ⑧ EXISTING CONCRETE MEDIAN, TYPE SB-6.12
- ⑨ EXISTING CONCRETE MEDIAN, TYPE SB-6.24
- ⑩ EXISTING COMBINATION CONCRETE CURB AND GUTTER, TYPE M-2.12
- ⑪ EXISTING COMBINATION CONCRETE CURB AND GUTTER, TYPE B-6.12
- ⑫ EXISTING COMBINATION CONCRETE CURB AND GUTTER, TYPE B-6.24
- ⑬ EXISTING #5 DEFORMED TIE BARS, 18" LONG 30" CENTER
- ⑭ EXISTING STABILIZED SUB BASE, 4"
- ⑮ EXISTING AGGREGATE SUBGRADE, 12"
- ⑯ EXISTING SUB BASE GRANULAR MATERIAL, TYPE B
- ⑰ EXISTING POROUS GRANULAR EMBANKMENT, SPECIAL
- ⑱ EXISTING HOT-MIX ASPHALT SHOULDER, 8"
- ⑲ EXISTING AGGREGATE WEDGE SHOULDER, TYPE B
- ⑳ PROPOSED HOT-MIX ASPHALT SURFACE REMOVAL, 2-1/2"
- ㉑ PROPOSED POLYMERIZED HOT-MIX ASPHALT SURFACE COURSE, MIX "F", N90, 1-3/4"
- ㉒ PROPOSED POLYMERIZED LEVELING BINDER (MM) IL-4.75, N50, 3/4"
- * ㉓ PROPOSED COMBINATION CONCRETE CURB AND GUTTER REMOVAL AND REPLACEMENT
- ㉔ PROPOSED AGGREGATE WEDGE SHOULDER, TYPE B
- ㉕ PROPOSED GRADING AND SHAPING SHOULDERS

* LOCATIONS TO BE DETERMINED BY THE ENGINEER

PLOT DATE = 4/2/2008
FILE NAME = c:\p\ro\p\1321\0711\0711rs-2\0711rs-2.dgn
PLOT SCALE = 1/4" = 1'-0"
USER NAME = galsenb

REVISIONS		ILLINOIS DEPARTMENT OF TRANSPORTATION FAU 1321: ILL 19 (IRVING PARK ROAD) WISE ROAD TO COOK-DUPAGE COUNTY LINE EXISTING AND PROPOSED TYPICAL SECTIONS
NAME	DATE	

SCALE: VERT. _____
HORIZ. _____
DATE _____ DRAWN BY _____
CHECKED BY _____