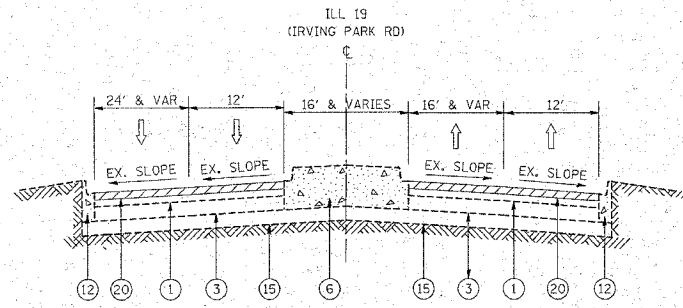
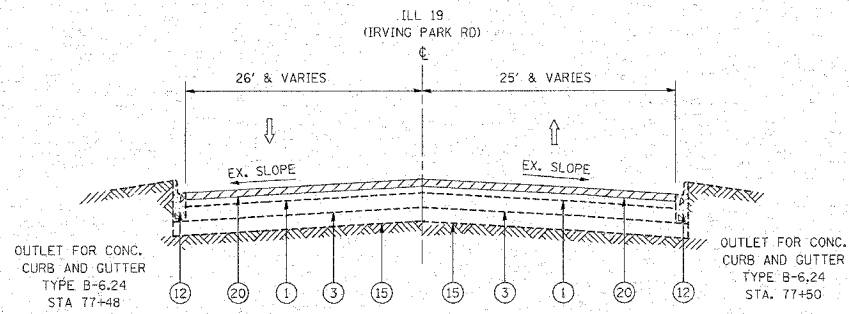


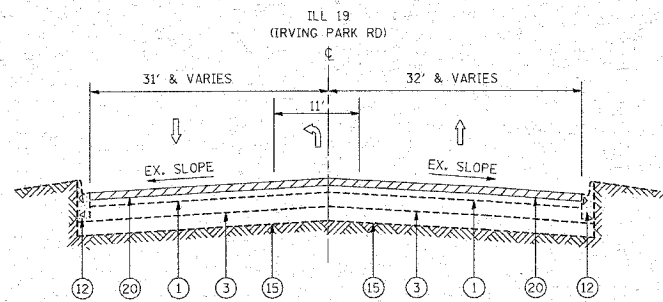
F.A.U. RTE.	SECTION	COUNTY	TOTAL SHEETS	SHEET NO.
1321	0711 RS-2	COOK	38	8
STA.		TO STA.		
FED. ROAD DIST. NO. 1	ILLINOIS	FED. AID PROJECT		
CONTRACT NO. 60A49				



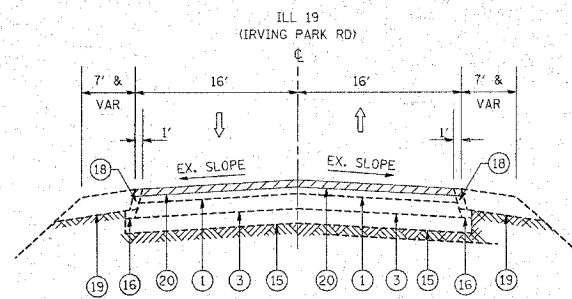
EXISTING TYPICAL SECTION
STA. 66+37 TO STA. 69+84



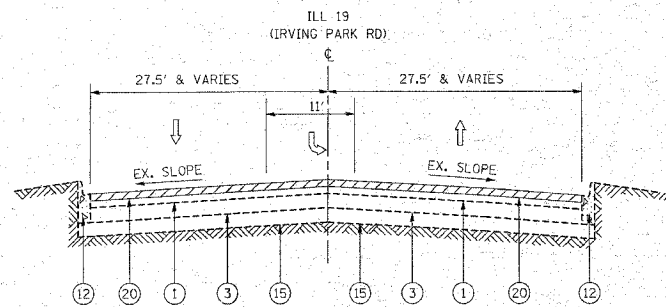
EXISTING TYPICAL SECTION
STA. 73+09 TO STA. 77+50



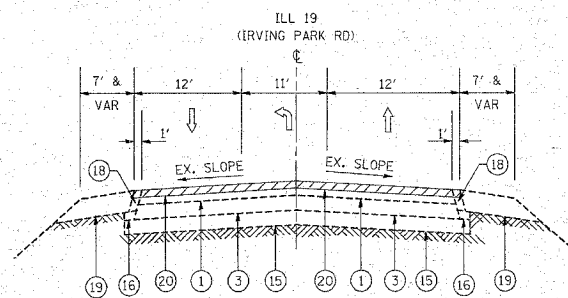
EXISTING TYPICAL SECTION
STA. 69+84 TO STA. 71+98



EXISTING TYPICAL SECTION
STA. 77+50 TO STA. 84+65



EXISTING TYPICAL SECTION
STA. 71+98 TO STA. 73+09



EXISTING TYPICAL SECTION
STA. 84+65 TO STA. 87+22
STA. 91+07 TO STA. 93+30

LEGEND

- ① EXISTING HOT-MIX ASPHALT SURFACING
- ② EXISTING PCC BASE COURSE, 9" (±)
- ③ EXISTING HOT-MIX ASPHALT BASE COURSE, 12" (±)
- ④ EXISTING STABILIZED MEDIAN SURFACE
- ⑤ EXISTING CONCRETE MEDIAN SURFACE, 4" (±)
- ⑥ EXISTING CONCRETE MEDIAN, TYPE SM-2.12
- ⑦ EXISTING CONCRETE MEDIAN, TYPE SB-9.12
- ⑧ EXISTING CONCRETE MEDIAN, TYPE SB-6.12
- ⑨ EXISTING CONCRETE MEDIAN, TYPE SB-6.24
- ⑩ EXISTING COMBINATION CONCRETE CURB AND GUTTER, TYPE M-2.12
- ⑪ EXISTING COMBINATION CONCRETE CURB AND GUTTER, TYPE B-6.12
- ⑫ EXISTING COMBINATION CONCRETE CURB AND GUTTER, TYPE B-6.24
- ⑬ EXISTING #5 DEFORMED TIE BARS, 18" LONG 30" CENTER
- ⑭ EXISTING STABILIZED SUB BASE, 4"
- ⑮ EXISTING AGGREGATE SUBGRADE, 12"
- ⑯ EXISTING SUB BASE GRANULAR MATERIAL, TYPE B
- ⑰ EXISTING POROUS GRANULAR EMBANKMENT, SPECIAL
- ⑱ EXISTING HOT-MIX ASPHALT SHOULDER, 8"
- ⑲ EXISTING AGGREGATE WEDGE SHOULDER, TYPE B
- ⑳ PROPOSED HOT-MIX ASPHALT SURFACE REMOVAL, 2-1/2"
- ㉑ PROPOSED POLYMERIZED HOT-MIX ASPHALT SURFACE COURSE, MIX "F", N90, 1-3/4"
- ㉒ PROPOSED POLYMERIZED LEVELING BINDER (MM) IL-4.75, N50, 3/4"
- * ㉓ PROPOSED COMBINATION CONCRETE CURB AND GUTTER REMOVAL AND REPLACEMENT
- ㉔ PROPOSED AGGREGATE WEDGE SHOULDER, TYPE B
- ㉕ PROPOSED GRADING AND SHAPING SHOULDERS

* LOCATIONS TO BE DETERMINED BY THE ENGINEER.

DATE = 4/2/2008
FILE NAME = c:\p\p\proj\1062685\design\asn.dgn
PLOT SCALE = 80.0000' / IN.
USER NAME = gabbeneb

REVISIONS	
NAME	DATE

ILLINOIS DEPARTMENT OF TRANSPORTATION
FAU 1321: ILL 19 (IRVING PARK) ROAD
WISE ROAD TO COOK-DUPAGE COUNTY LINE
EXISTING AND PROPOSED
TYPICAL SECTIONS
SCALE: VERT. _____
HORIZ. _____
DATE _____ DRAWN BY _____
CHECKED BY _____