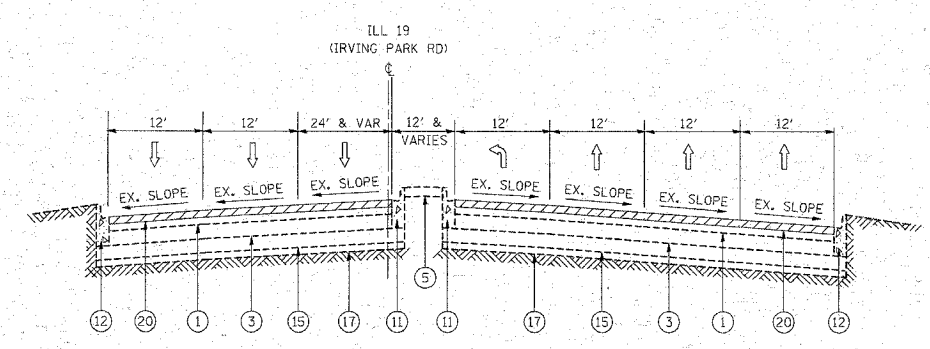


FAU RTE.	SECTION	COUNTY	TOTAL SHEETS	SHEET NO.
1321	0711 RS-2	COOK	38	7
STA.		TO STA.		
FED. ROAD DIST. NO. 1		ILLINOIS	FED. AID PROJECT	

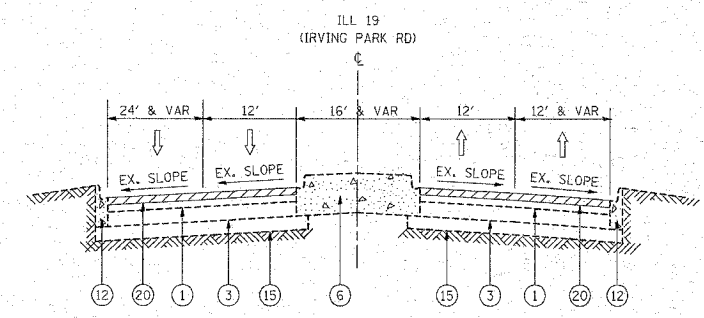
CONTRACT NO. 60A49

**LEGEND**

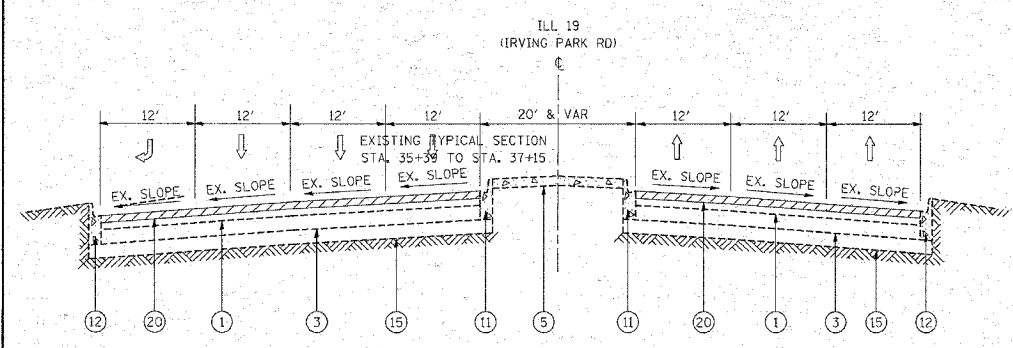
- ① EXISTING HOT-MIX ASPHALT SURFACING
  - ② EXISTING PCC BASE COURSE, 9" (±)
  - ③ EXISTING HOT-MIX ASPHALT BASE COURSE, 12" (±)
  - ④ EXISTING STABILIZED MEDIAN SURFACE
  - ⑤ EXISTING CONCRETE MEDIAN SURFACE, 4" (±)
  - ⑥ EXISTING CONCRETE MEDIAN, TYPE SM-2.12
  - ⑦ EXISTING CONCRETE MEDIAN, TYPE SB-9.12
  - ⑧ EXISTING CONCRETE MEDIAN, TYPE SB-6.12
  - ⑨ EXISTING CONCRETE MEDIAN, TYPE SB-6.24
  - ⑩ EXISTING COMBINATION CONCRETE CURB AND GUTTER, TYPE M-2.12
  - ⑪ EXISTING COMBINATION CONCRETE CURB AND GUTTER, TYPE B-6.12
  - ⑫ EXISTING COMBINATION CONCRETE CURB AND GUTTER, TYPE B-6.24
  - ⑬ EXISTING #5 DEFORMED TIE BARS, 18" LONG 30" CENTER
  - ⑭ EXISTING STABILIZED SUB BASE, 4"
  - ⑮ EXISTING AGGREGATE SUBGRADE, 12"
  - ⑯ EXISTING SUB BASE GRANULAR MATERIAL, TYPE B
  - ⑰ EXISTING POROUS GRANULAR EMBANKMENT, SPECIAL
  - ⑱ EXISTING HOT-MIX ASPHALT SHOULDER, 8"
  - ⑲ EXISTING AGGREGATE WEDGE SHOULDER, TYPE B
  - ⑳ PROPOSED HOT-MIX ASPHALT SURFACE REMOVAL, 2-1/2"
  - ㉑ PROPOSED POLYMERIZED HOT-MIX ASPHALT SURFACE COURSE, MIX "F", N90, 1-3/4"
  - ㉒ PROPOSED POLYMERIZED LEVELING BINDER IMM. IL-4.75, N50, 3/4"
  - \* ㉓ PROPOSED COMBINATION CONCRETE CURB AND GUTTER REMOVAL AND REPLACEMENT.
  - ㉔ PROPOSED AGGREGATE WEDGE SHOULDER, TYPE B
  - ㉕ PROPOSED GRADING AND SHAPING SHOULDERS
- \* LOCATIONS TO BE DETERMINED BY THE ENGINEER



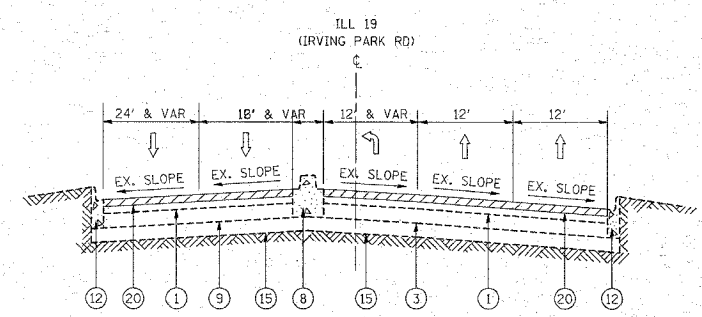
EXISTING TYPICAL SECTION  
STA. 43+45 TO STA. 50+27



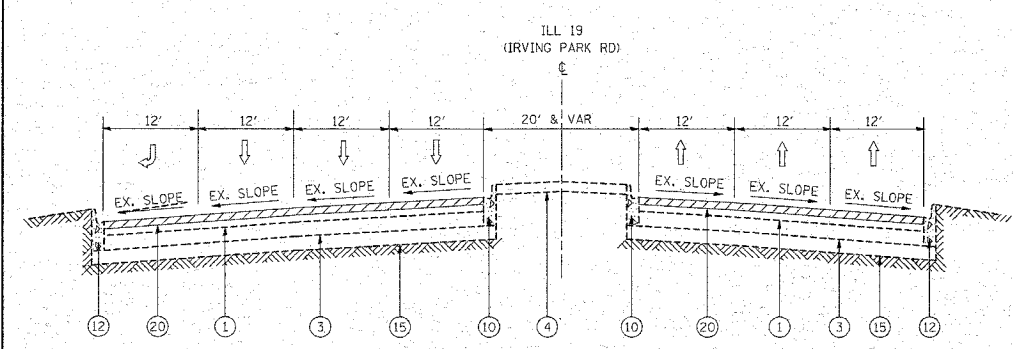
EXISTING TYPICAL SECTION  
STA. 52+82 TO STA. 61+94



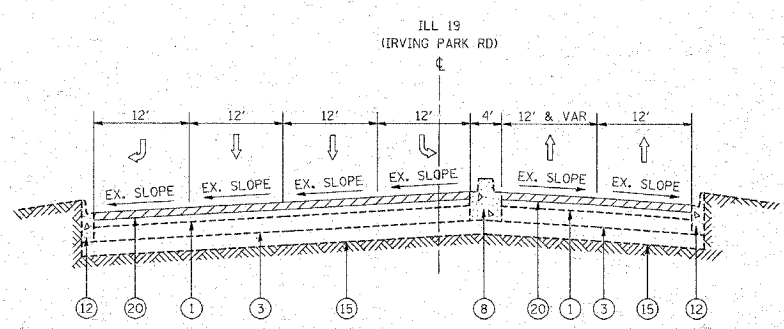
EXISTING TYPICAL SECTION  
STA. 50+27 TO STA. 51+03



EXISTING TYPICAL SECTION  
STA. 61+94 TO STA. 64+38



EXISTING TYPICAL SECTION  
STA. 51+03 TO STA. 62+82



EXISTING TYPICAL SECTION  
STA. 64+38 TO STA. 66+37

PLOT DATE = 4/2/2008  
 FILE NAME = c:\pcc\pcc\1321\0711\rs-2\design\se.dgn  
 PLOT SCALE = 5/8"=1'-0"  
 USER NAME = galbenb

REVISIONS	
NAME	DATE

ILLINOIS DEPARTMENT OF TRANSPORTATION  
**FAU 1321:ILL 19 (IRVING PARK ROAD)**  
**WISE ROAD TO COOK-DUPAGE COUNTY LINE**  
**EXISTING AND PROPOSED**  
**TYPICAL SECTIONS**

SCALE: VERT. \_\_\_\_\_  
 HORIZ. \_\_\_\_\_  
 DATE \_\_\_\_\_

DRAWN BY \_\_\_\_\_  
 CHECKED BY \_\_\_\_\_