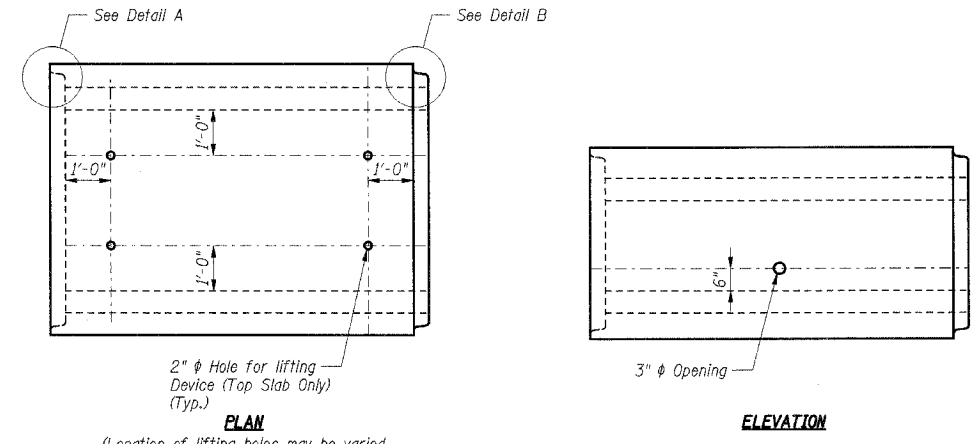
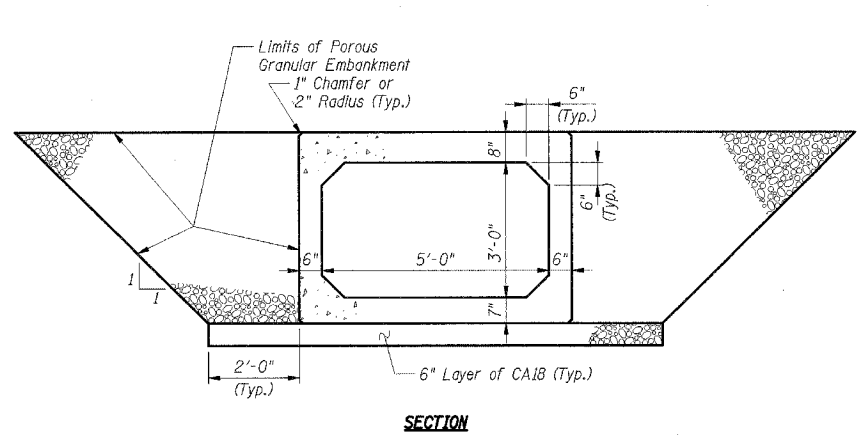


F.A.I. RTE. 59	SECTION	COUNTY WILL	TOTAL SHEETS 608	SHEET NO. 382
STA. TO STA.		ILLINOIS FED. AID PROJECT		
* (26, 26HB-1 & 114) R-2 CONTRACT NO. 60363				

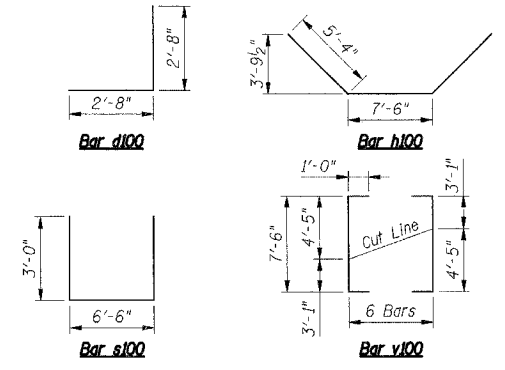
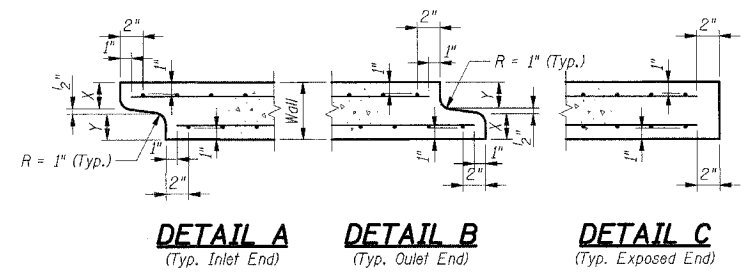


STANDARD BOX CULVERT SECTION

BAR LIST

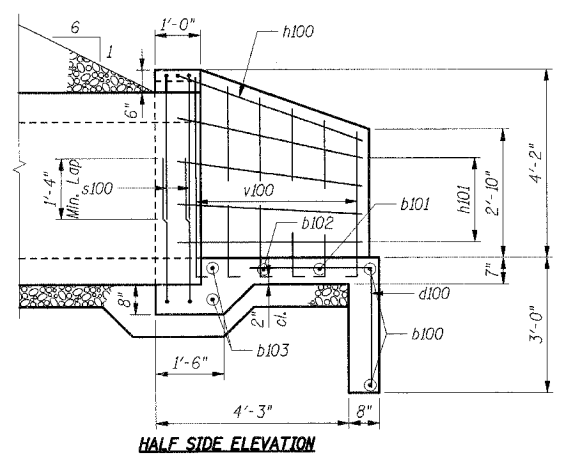
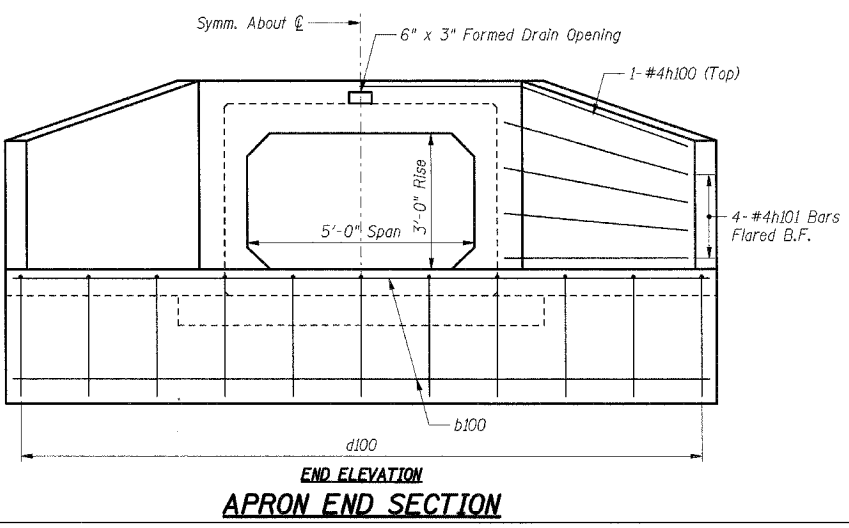
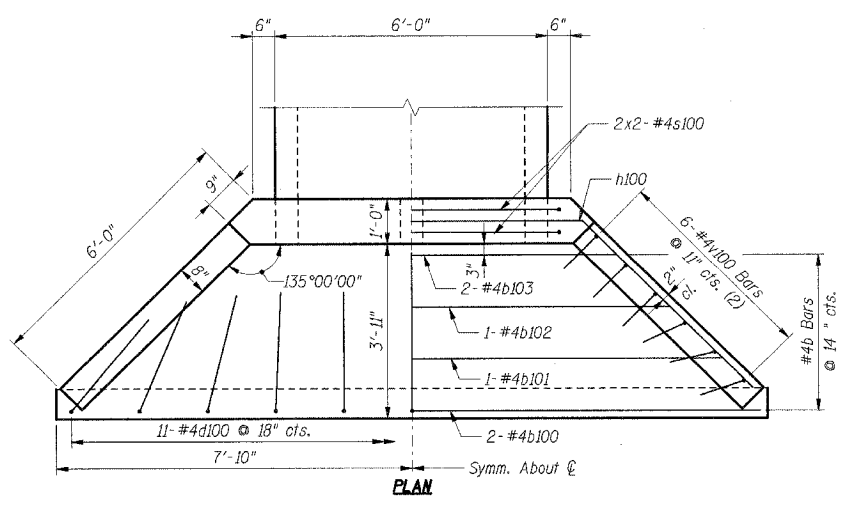
Bar	No.	Size	Length	Shape
b100	4	#4	15'-4"	—
b101	2	#4	13'-10"	—
b102	2	#4	11'-6"	—
b103	4	#4	9'-2"	—
d100	22	#4	5'-4"	—
h100	2	#4	18'-2"	—
h101	16	#4	5'-8"	—
s100	8	#4	12'-6"	—
v100	12	#4	9'-6"	—
Item		Unit	Total	
Reinforcement Bars***		lbs	410	
Concrete Structures***		Cu Yd	7.3	

*** For information only, cost included with Box Culvert End Section, Culvert No. 2.



Reinforcement Notes:
 (1) Bend bars in the field to fit as required.
 (2) Cut bars according to Cutting Diagram and use reminder in other side of the Headwall.

Notes:
 1. Bars indicated thus: 4x2-#5 etc. indicate 4 lines of bars with 2 lengths per line.
 2. B.F. Indicates Back Face
 F.F. Indicates Front Face
 E.F. Indicates Each Face



SHT. BCB-2 OF BCB-3

REVISIONS	
NAME	DATE

ILLINOIS DEPARTMENT OF TRANSPORTATION
 F.A.P. ROUTE 338 (ILLINOIS ROUTE 59)
 IL ROUTE 59 SINGLE BOX CULVERT
 SECTION (26, 26HB-1 & 114) R-2
 STRUCTURE NUMBER 099-C004
 STATION 7498+38 TO 7499+26, WILL COUNTY
 BOX CULVERT END SECTIONS

DRAWN BY: MPM
 CHECKED BY: TMH

DATE: 03/14/08

TENG

TENG & ASSOCIATES, INC.
 302 S. KOSTERHAW AVE. CHENAGO, IL 60812
 TELEPHONE: 815-838-8888

...\\BXC005JZ.DGN, ...\\BXC005JZ.DGN, ...\\BXC005JZ.DGN, ...\\BXC005JZ.DGN, ...\\BXC005JZ.DGN, ...\\BXC005JZ.DGN, ...\\BXC005JZ.DGN, ...\\BXC005JZ.DGN, ...\\BXC005JZ.DGN
 3-13-2008 12:51:51
 T:\DOCUMENTS\182790\STRUCT.DGN:BXC005JZ.DGN
 color Table: KAS1\STANDARD\TENS\DATA\COLOR\TABLE.TBL
 pen Table: N/A