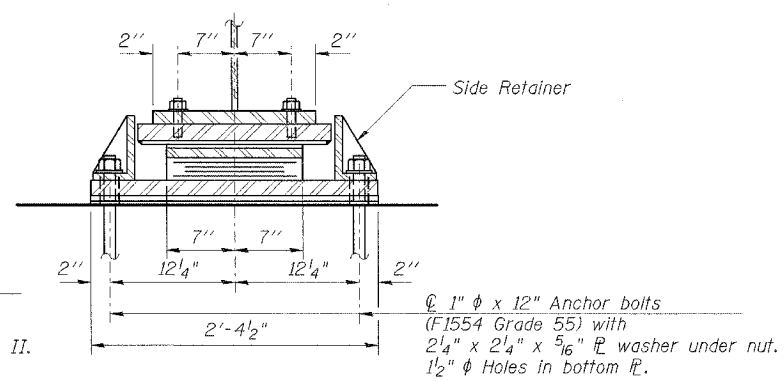
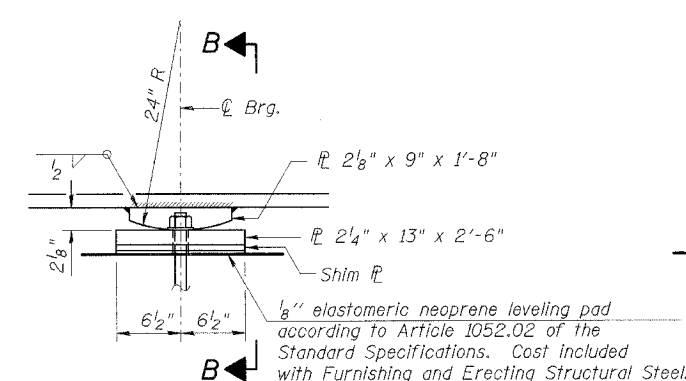


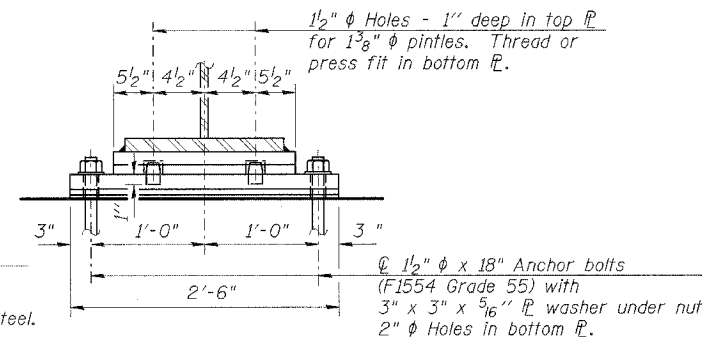
ELEVATION AT ABUT.



SECTION A-A



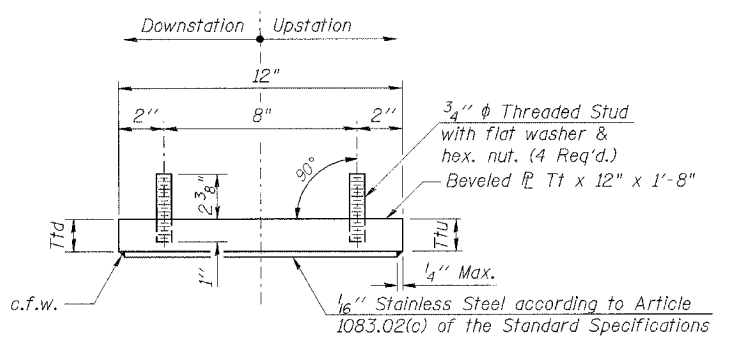
ELEVATION AT PIER



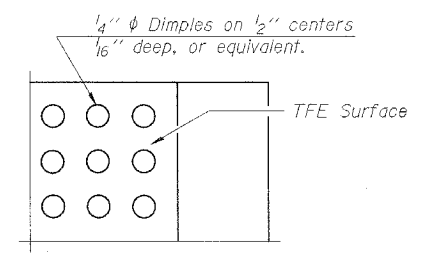
SECTION B-B

TYPE II ELASTOMERIC EXP. BRG.

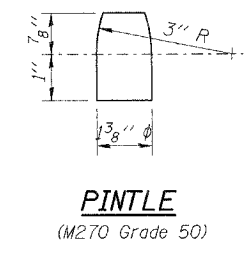
FIXED BEARING



TOP BEARING ASSEMBLY



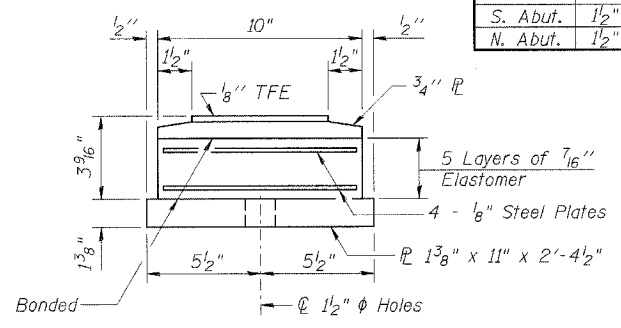
PLAN-TFE SURFACE



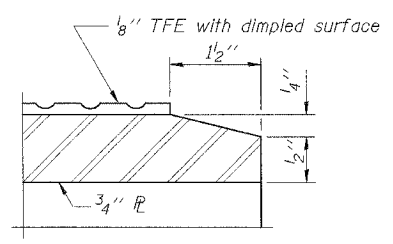
PINTLE
(M270 Grade 50)

Notes:
Anchor bolts shall be ASTM F1554 all-thread (or an Engineer-approved alternate material) of the grade(s) and diameter(s) specified. ASTM A307 Grade C anchor bolts may be used in lieu of ASTM F1554 Grade 36 (Fy=36ksi). The corresponding specified grade of AASHTO M314 anchor bolts may be used in lieu of ASTM F1554.
Anchor bolts at fixed bearings may be either cast in place or installed in holes drilled after the supported member is in place.
Anchor bolts for Type II bearings shall be placed in holes drilled through the bottom bearing plate after members are in place. Side retainers shall be placed after bolts are installed.
Drilled and set anchor bolts shall be installed according to Article 521.06 of the Standard Specifications.
Side retainers and other steel members required for the bearing assembly shall be included in the cost of Elastomeric Bearing Assembly, Type II.
The 1/8" TFE sheet shall be bonded directly to the top steel plate with a two-component, medium viscosity epoxy resin, conforming to the requirements of the Federal Specification MMM-A-134, Type I. The bond agent shall be applied on the full area of the contact surfaces.
Bonding of 1/8" TFE sheet during vulcanizing process will be permitted provided the process and method of adjusting assembly height is approved by the Engineer.
Two 1/8" adjusting shims shall be provided for each bearing in addition to all other plates or shims and placed as shown on bearing details.
The structural steel plates of the Bearing Assembly shall conform to the requirements of AASHTO M 270 Grade 50.
The cost of the fixed bearings shall be included with Furnishing and Erecting Structural Steel.

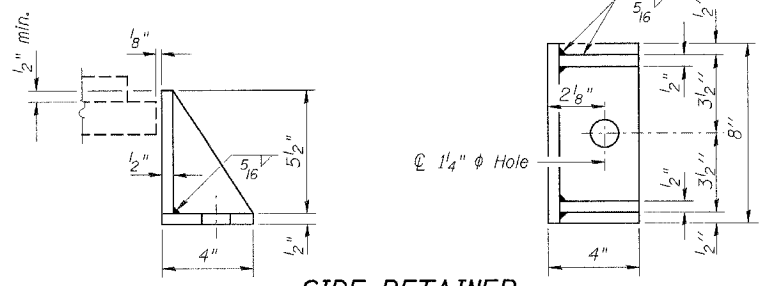
Bearing Location	Ttd	Ttu
S. Abut.	1 1/2"	1 3/4"
N. Abut.	1 1/2"	1 1/2"



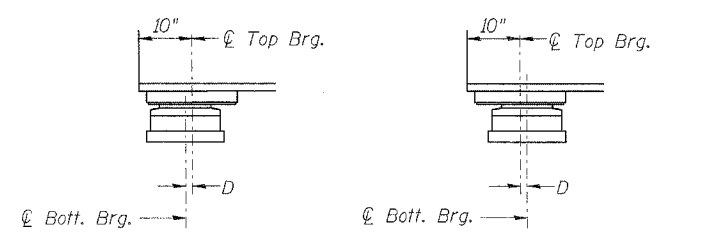
BOTTOM BEARING ASSEMBLY



SECTION THRU TFE



SIDE RETAINER
Equivalent rolled angle with stiffeners will be allowed in lieu of welded plates.



SETTING ANCHOR BOLTS AT EXP. BRG.
D = 1/8" per each 100' of expansion for every 15° temp. change from the normal temp. of 50°F.

BILL OF MATERIAL

Item	Unit	Total
Elastomeric Bearing Assembly Type II	Each	12
Anchor Bolts 1" φ	Each	24
Anchor Bolts 1/2" φ	Each	12

SHT. S-14 OF S-24

REVISIONS	
NAME	DATE

ILLINOIS DEPARTMENT OF TRANSPORTATION
F.A.P. ROUTE 338 (ILLINOIS ROUTE 59)
IL ROUTE 59 OVER F.A.I. 55 (I-55)
SECTION (26, 26HB-1 & 114) R-2
STRUCTURE NUMBER 099-4642
STATION 8021+17.13, WILL COUNTY

BEARING DETAILS

DRAWN BY: MDB
CHECKED BY: TMH
DATE: 03/14/08

TENG

TENG & ASSOCIATES, INC.
ENGINEERS, ARCHITECTS, PLANNERS
800 N. MICHIGAN AVE. CHICAGO, IL 60610
TELEPHONE: 312.641.2000

\FPRODS\KJ.DGN... \TIBORHLDN... \GROOS\T.DGN
 3-13-2008, 12:20:59
 TA:DOCUMENT\1932790\STRUCT\DRW\BRG005\ADGN
 color Table: K:\STANDARD\TENG\DATA\COLOR\TABLE.TBL
 color Table: K:\STANDARD\TENG\DATA\COLOR\TABLE.TBL
 pen Table: N/A