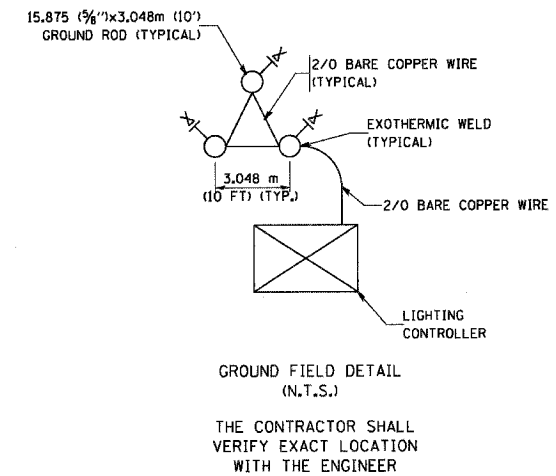
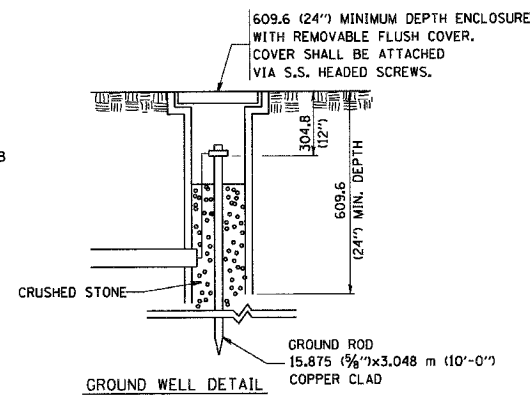
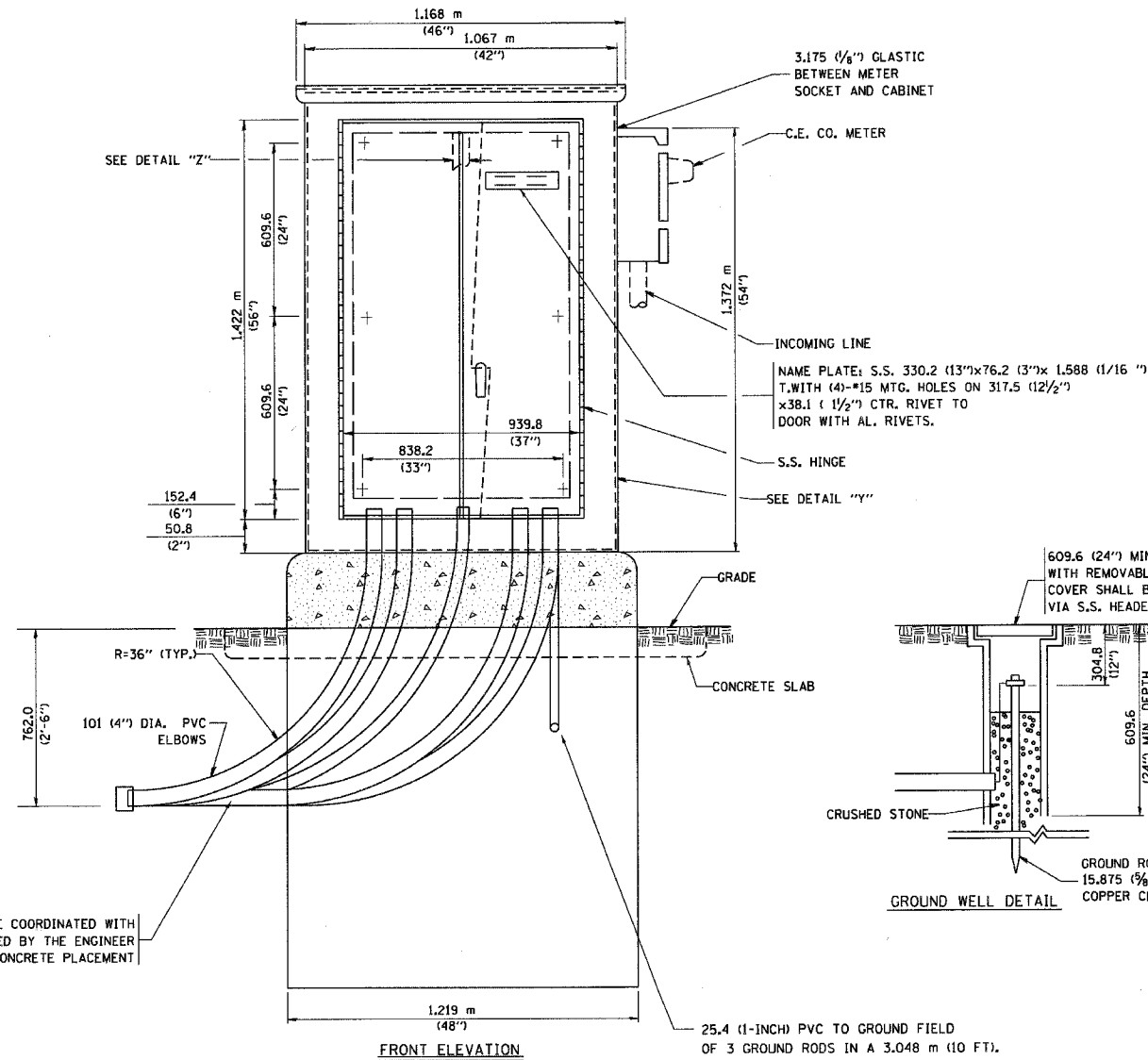
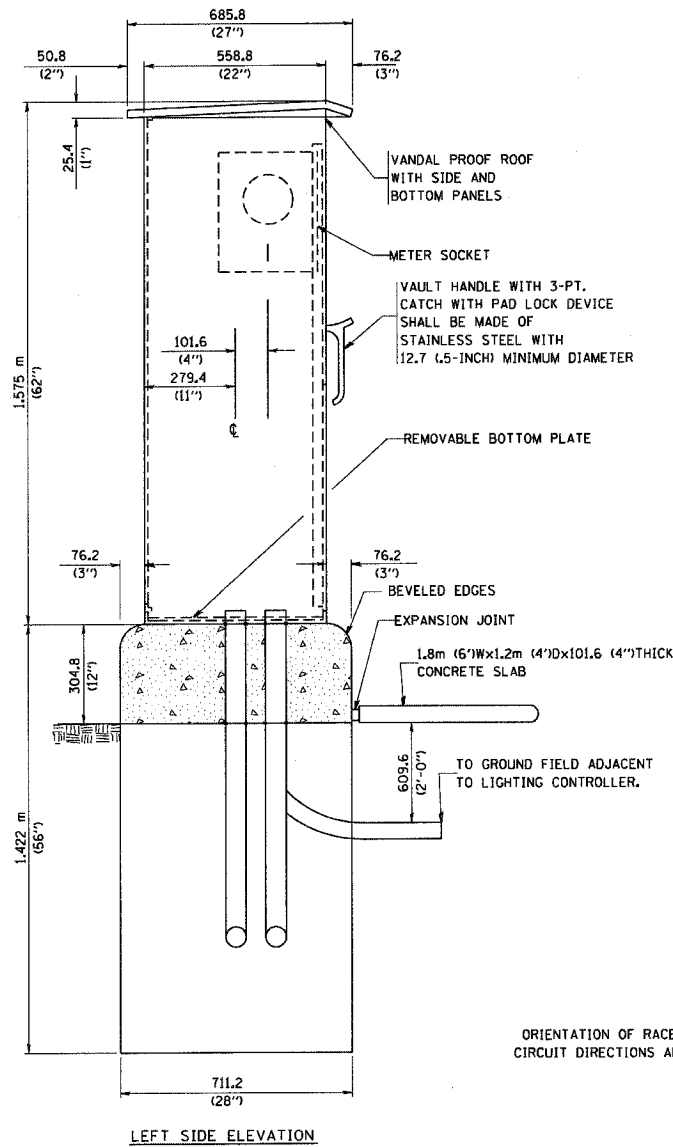
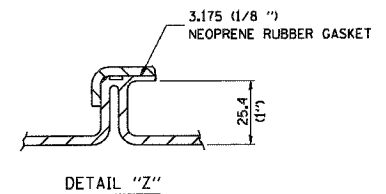
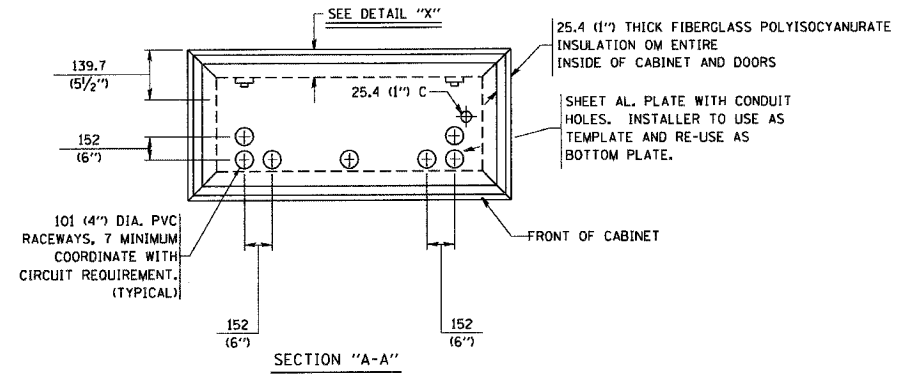
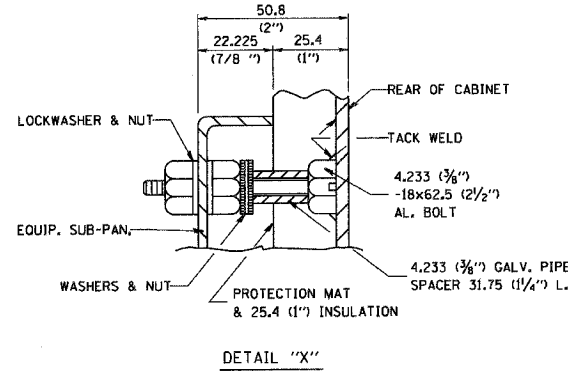
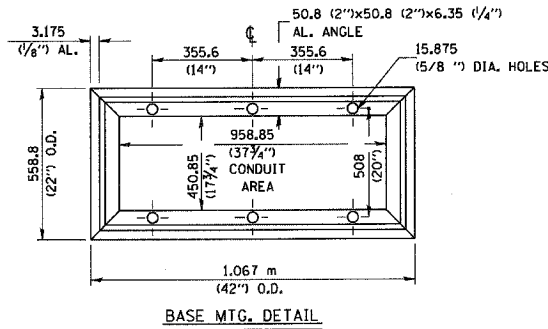
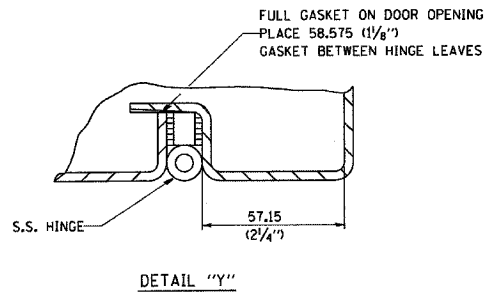


CONTRACT NO.			
F.A. RTE.	SECTION	COUNTY	TOTAL SHEETS
			808 333
STA.		TO STA.	
FED. ROAD DIST. NO.		ILLINOIS FED. AID PROJECT	



ORIENTATION OF RACEWAYS SHALL BE COORDINATED WITH CIRCUIT DIRECTIONS AND BE INSPECTED BY THE ENGINEER PRIOR TO CONCRETE PLACEMENT

25.4 (1-INCH) PVC TO GROUND FIELD OF 3 GROUND RODS IN A 3.048 m (10 FT). TRIANGLE CONNECTED VIA BARE COPPER WIRE. VERIFY EXACT LOCATION OF GROUND FIELD WITH THE ENGINEER. NO GROUND WELL SHALL BE PLACED IN CONCRETE PAD IN FRONT OF CONTROLLER.

REVISIONS	
NAME	DATE
R. TOMSONS	8/04

ILLINOIS DEPARTMENT OF TRANSPORTATION  
 LIGHTING CONTROLLER, RADIO CONTROL  
 DUPLEX TYPE WITH SCADA  
 BE-205 SHT 3 OF 4

SCALE: NONE  
 DATE: 4/26/2006  
 DRAWN BY: CADD  
 CHECKED BY:  
 BE205  
 REVISION DATE: 04/26/06