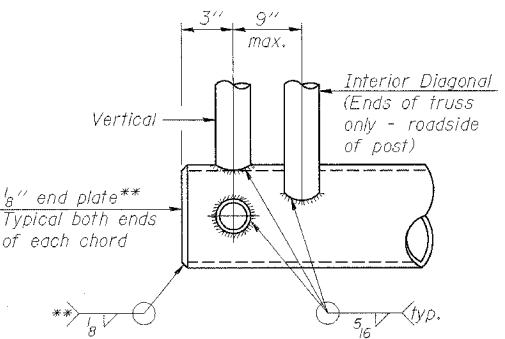
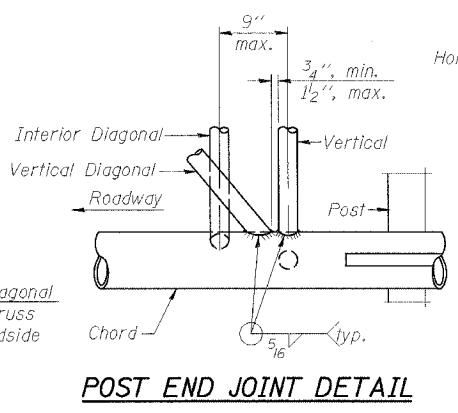


Structure Number	Station	Truss Type	Design Length (L)	Number of Panels Per Unit	Panel Length (P)*
IC099I055R250.46	63+00	II-C-A	30'-0"	7	4'-0"
IC099I055R250.76	79+00	II-C-A	30'-0"	7	4'-0"
IC099I055L250.93	88+00	II-C-A	30'-0"	7	4'-0"

TYPICAL TRUSS UNIT
For Section B-B and Section C-C, see Base Sheet OSC-A-3.

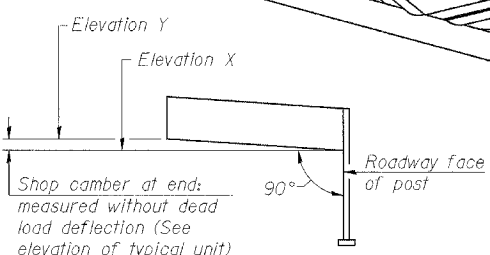
Note:
There are twice as many horizontal diagonals as there are vertical diagonals.



CANTILEVER END JOINT DETAIL
** Contractor may alternatively use standard aluminum drive-fit cap to close ends.

SHOP CAMBER TABLE

Unit Length (L)	Shop Camber at End
15'	1 1/2"
16'-17'	1 3/4"
18'-20'	2"
21'-22'	2 1/4"
23'-25'	2 1/2"
26'-27'	2 3/4"
28'-30'	3"
31'-32'	3 1/4"
33'-35'	3 1/2"
36'-37'	4"
38'-40'	4 1/2"



CAMBER DIAGRAM
(For Fabrication Only)

ISOMETRIC VIEW TYPICAL TRUSS UNIT
ASTM B221 Alloy 6061 Temper T6

TRUSS UNIT TABLE

Truss Type	Dimension "a"	Dimension "b"	Dimension "s"	Limits for Panel Spacing (P)*	Up. & Low. Chord		Verticals; Horizontals; Vertical, Horizontal, and Interior Diagonals	
					O.D.	Wall	O.D.	Wall
I-C-A	24"	54"	16"	36" min. to 48" max.	5"	5/16"	2 1/2"	5/16"
II-C-A	36"	66"	21"	42" min. to 54" max.	6 1/2"	5/16"	3 1/4"	5/16"
III-C-A (35' Max.)	36"	84"	21"	48" min. to 66" max.	7"	3/8"	3 1/2"	3/8"
III-C-A (>35' to 40')	36"	84"	21"	48" min. to 66" max.	8"	3/8"	3 1/2"	3/8"

*P = $\frac{L-s-3"}{\# \text{ Panels}}$

NUMBER	REVISION	DATE

REVISIONS	
NAME	DATE

ILLINOIS DEPARTMENT OF TRANSPORTATION
FAI 55 AT FAP 338 ILLINOIS ROUTE 59
SECTION: (26, 26HB-1 & 114) R-2

TRUSS DETAILS
ALUMINUM TRUSS & STEEL POST

DRAWN BY: MDB
CHECKED BY:
DATE: 03/14/08

TENG

TENG & ASSOCIATES, INC.
REGISTERED PROFESSIONAL ENGINEERS
306 N. MICHIGAN AVE. DEKalb, IL 60015
TEL: 815/309-1100 FAX: 815/309-1101

T:\DOCUMENT\03272007\STRUCT\DRAW\SC\OSC-A-2.DWG BOYDHLIO
 3-18-2009, 12:29:27 color Table: K:\STANDARD\TEXT\DATA\COLORTABLE.TBL
 A:\TECH\HLD\DWG 3-18-2009, 12:29:27 pen Table: N/A