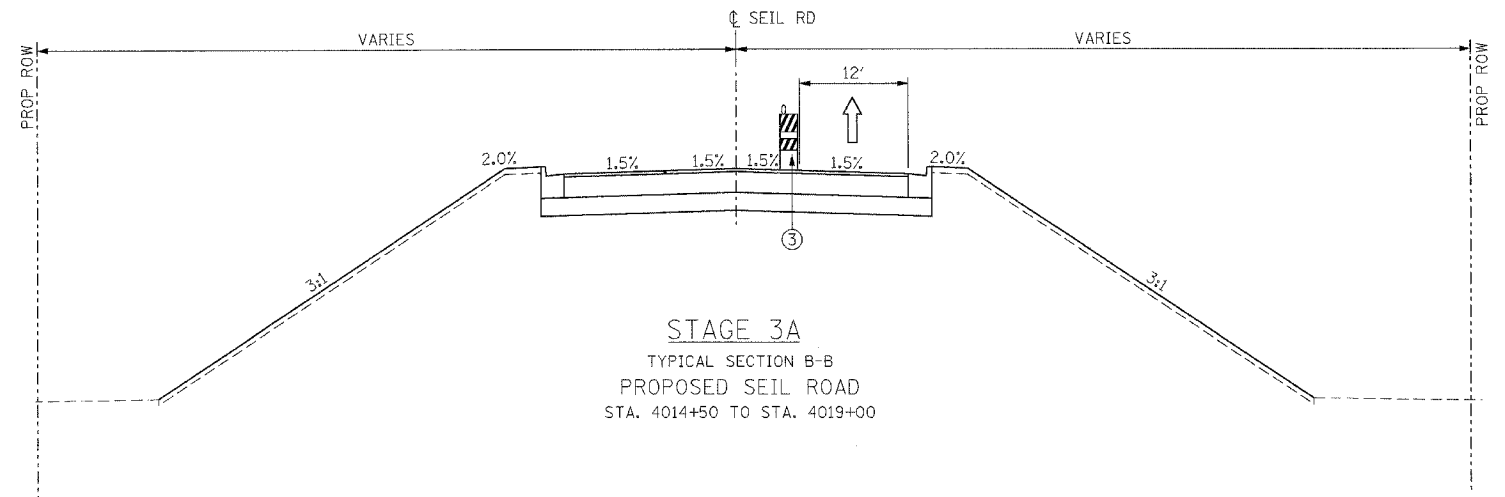
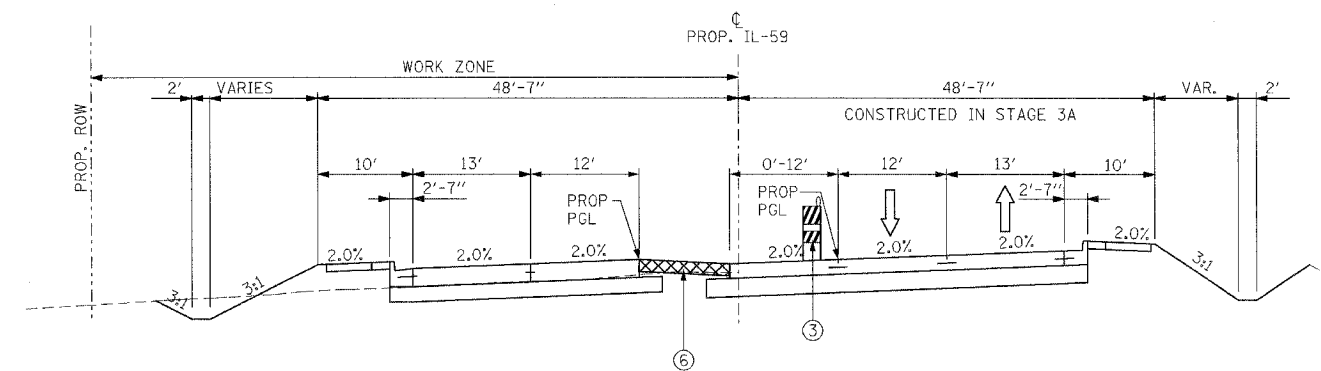


**STAGE 3A**  
 TYPICAL SECTION A-A  
 PROPOSED IL - 59  
 STA. 7481+25 TO STA. 7487+00



**STAGE 3A**  
 TYPICAL SECTION B-B  
 PROPOSED SEAL ROAD  
 STA. 4014+50 TO STA. 4019+00



**STAGE 3B**  
 TYPICAL SECTION B-B  
 PROPOSED IL - 59  
 STA. 7481+25 TO STA. 7487+00

**LEGEND:**

- |   |   |
|---|---|
| ① EXIST. WOVEN WIRE FENCE                                     | ⑮ PROP. GRANULAR EMBANKMENT               |
| ② CHAIN LINK FENCE, 4'  | ⑯ AGGREGATE SUBGRADE 12"                  |
| ③ BARRICADES, TYPE II OR DRUMS WITH STEADY BURN LIGHT         | ⑰ N/A                                     |
| ④ TEMPORARY PAVEMENT MARKINGS (OR TYPE III TAPE IF INDICATED) | ⑱ PROPOSED PAVEMENT MARKINGS              |
| ⑤ VERTICAL PANELS WITH STEADY BURN LIGHT                      | ⑲ PAVED SHOULDER REMOVAL                  |
| ⑥ TEMPORARY PAVEMENT, 10"                                     | ⑳ EXISTING PAVEMENT                       |
| ⑥A TEMPORARY PAVEMENT, 4"                                     | ㉑ TEMPORARY PAVEMENT (PREVIOUS STAGE)     |
| ⑦ N/A   | ㉒ TEMPORARY SHOULDER (PREVIOUS STAGE)     |
| ⑧ AGGREGATE SHOULDERS, TYPE B 6"                              | ㉓ AGGREGATE BASE COURSE, TYPE B, 10"      |
| ⑨ TEMPORARY SEEDING   | ㉔ TEMPORARY CONCRETE BARRIER WALL         |
| ⑩ TEMPORARY PIPE CULVERT                                      | ㉕ TOPSOIL EXCAVATION                      |
| ⑪ BITUMINOUS SURFACE REMOVAL                                  |   |
| ⑫ PROP. HOT-MIX ASPHALT SURFACE COURSE, MIX "D", N70 1/2"     | → TRAFFIC FLOW                            |
| ⑬ PROP. STEEL PLATE BEAM GUARDRAIL                            | (E) DENOTES EXISTING ALIGNMENT STATIONING |
| ⑭ N/A   | (P) DENOTES PROPOSED ALIGNMENT STATIONING |

MOT10 REVISIONS	
NAME	DATE

ILLINOIS DEPARTMENT OF TRANSPORTATION  
 FAI 55 AT FAP 338 ILLINOIS ROUTE 59  
 SECTION: (26, 26HB-1&114) R-2  
**MAINTENANCE OF TRAFFIC**  
**TYPICAL SECTIONS**  
**STAGE 3A AND 3B**  
 SCALE: N.T.S.  
 DATE: 03/14/08  
 DRAWN BY: JB  
 CHECKED BY: ACL

**TENG**  
TENG & ASSOCIATES, INC.  
 ENGINEERS, ARCHITECTS, PLANNERS  
 261 N. MICHIGAN AVE. CHICAGO, IL 60601  
 TEL: (312) 236-8800

\\ATBDORWAJN51\...MOT065C.DGN, ...MOT065P.DGN, ...MOT065S.DGN, ...MOT065W.DGN, ...MOT065X.DGN, ...MOT065Y.DGN, ...MOT065Z.DGN, ...MOT066.DGN, ...MOT067.DGN, ...MOT068.DGN, ...MOT069.DGN, ...MOT070.DGN, ...MOT071.DGN, ...MOT072.DGN, ...MOT073.DGN, ...MOT074.DGN, ...MOT075.DGN, ...MOT076.DGN, ...MOT077.DGN, ...MOT078.DGN, ...MOT079.DGN, ...MOT080.DGN, ...MOT081.DGN, ...MOT082.DGN, ...MOT083.DGN, ...MOT084.DGN, ...MOT085.DGN, ...MOT086.DGN, ...MOT087.DGN, ...MOT088.DGN, ...MOT089.DGN, ...MOT090.DGN, ...MOT091.DGN, ...MOT092.DGN, ...MOT093.DGN, ...MOT094.DGN, ...MOT095.DGN, ...MOT096.DGN, ...MOT097.DGN, ...MOT098.DGN, ...MOT099.DGN, ...MOT100.DGN