



CORPORATE OFFICE  
4940 OLD COLLINSVILLE RD.  
SWANSEA, ILLINOIS 62226  
TEL (618) 624-4488  
FAX (618) 624-6688  
corp@twm-inc.com

WATERLOO OFFICE  
113 SOUTH MAIN STREET  
WATERLOO, ILLINOIS 62298  
TEL (618) 939-5050  
FAX (618) 939-3938  
waterloo@twm-inc.com

EDWARDSVILLE OFFICE  
1015B CENTURY DRIVE  
EDWARDSVILLE, ILLINOIS 62025  
TEL (618) 656-4040  
FAX (618) 656-4343  
edwardsville@twm-inc.com

ST. CHARLES OFFICE  
400 N. 5TH STREET, SUITE 101  
ST. CHARLES, MISSOURI 63301  
TEL (636) 724-8300  
FAX (636) 724-8304  
stlouis@twm-inc.com

PROFESSIONAL REGISTRATIONS	LICENSE NO.
ILLINOIS PROFESSIONAL DESIGN FIRM	184-001220
PROFESSIONAL ENGINEERING CORP.	62-035370
PROFESSIONAL STRUCTURAL ENGR. CORP.	81-005202
ILLINOIS PROF. LAND SURVEYING CORP.	048-000029
MISSOURI PROFESSIONAL ENGR. CORP.	NC 001528
MISSOURI LAND SURVEYING CORP.	NC 000346

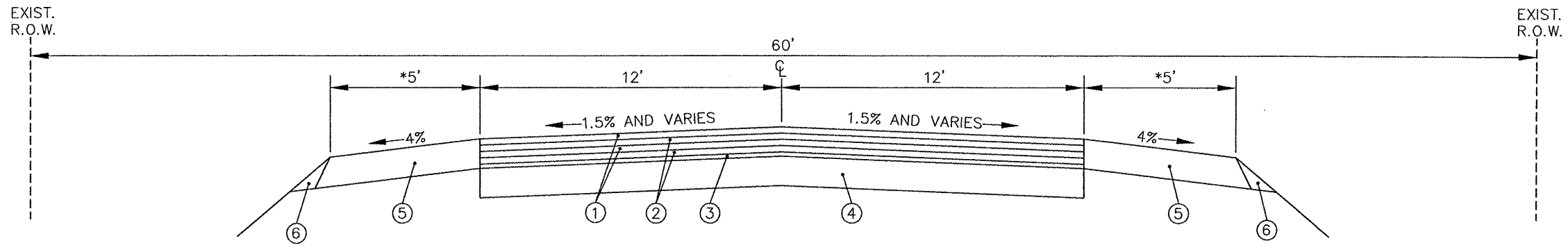
SEAL

This Professional Service conforms to the current Illinois Minimum Standards for a Boundary Survey

Signature: \_\_\_\_\_  
Expiration Date: \_\_\_\_\_

**STATEMENT OF RESPONSIBILITY**

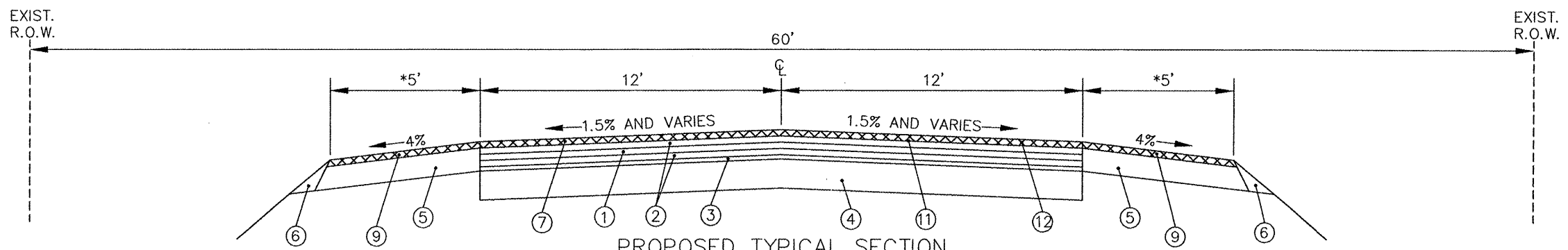
I hereby confirm that the document herein to be authenticated by my seal is restricted to this sheet, and I hereby disclaim any responsibility for all other drawings, specifications, estimates, reports or other documents or instruments relating to or intended to be utilized for any other part of the architectural, engineering or survey project.



**EXISTING TYPICAL SECTION**

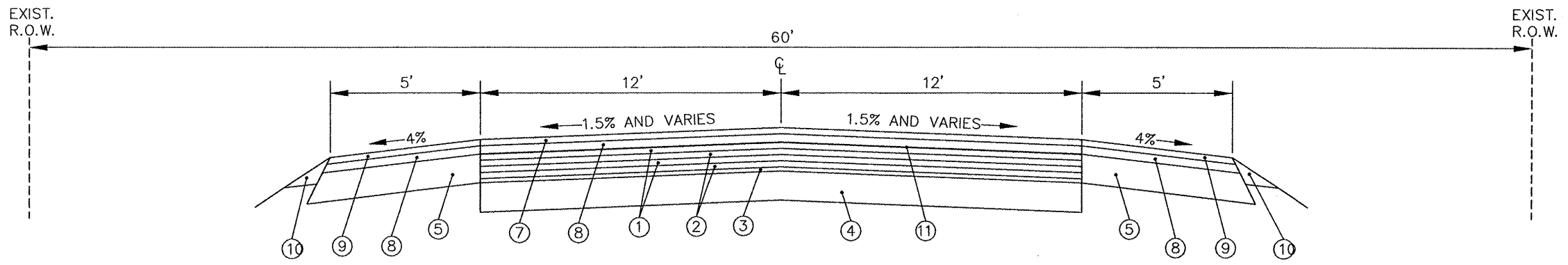
STA 0+00 TO STA 55+48.89  
\*(CONC. C&G STA 0+00 TO STA 3+47.52 LT  
CONC. C&G STA 0+00 TO STA 0+47.51 RT  
CONC. GUTTER STA 32+39.99 TO STA 40+57.08 LT  
CONC. C&G STA 54+02.60 TO STA 55+48.89 LT)

- LEGEND**
- ① EXISTING BITUMINOUS CONCRETE SURFACE COURSE, 1.5"
  - ② EXISTING BITUMINOUS CONCRETE BINDER COURSE, 1.5"
  - ③ EXISTING LEVELING BINDER, 1"
  - ④ EXISTING BITUMINOUS CONCRETE BASE COURSE, 8.5"±
  - ⑤ EXISTING BITUMINOUS SHOULDER
  - ⑥ EXISTING AGGREGATE WEDGE
  - ⑦ PROPOSED HOT-MIX ASPHALT SURFACE COURSE, MIX 'D', N70, 1.5"
  - ⑧ PROPOSED LEVELING BINDER (MACHINE METHOD), N70, MAX. DEPTH 4.5"
  - ⑨ PROPOSED HOT-MIX ASPHALT SHOULDERS, 1.5"
  - ⑩ PROPOSED AGGREGATE WEDGE SHOULDER, TYPE B
  - ⑪ PROPOSED AREA REFLECTIVE CRACK CONTROL TREATMENT
  - ⑫ PROPOSED HOT-MIX ASPHALT SURFACE REMOVAL, 1.5"



**PROPOSED TYPICAL SECTION**

STA 0+00 TO STA 52+82.17  
STA 53+67.95 TO STA 55+48.89  
\*(DO NOT DISTURB EXISTING CURB AND/OR GUTTER)  
(EXISTING DRIVING LANES AND SHOULDERS TO BE MILLED AT 1.5" DEPTH)



**PROPOSED TYPICAL SECTION**

STA 52+82.17 TO STA 53+67.95

**TYPICAL SECTIONS**

**SECTION 09-00018-01-RS**  
**GLEN CARBON ROAD RESURFACING**  
**VILLAGE OF GLEN CARBON**  
**MADISON COUNTY, ILLINOIS**

REV	DATE	DESCRIPTION
△		
△		
△		

DRAWN BY: MJK	<b>4</b>
DESIGNED BY: MJK	
CHECKED BY: RSD	
APPROVED BY: RSD	
PROJECT NUMBER: T07-080125	
SHEET	
OF 7 SHEETS	
<input checked="" type="checkbox"/> ISSUED FOR REVIEW <input type="checkbox"/> ISSUED FOR BIDDING <input type="checkbox"/> ISSUED FOR CONSTR. <input type="checkbox"/> RECORD DRAWING	