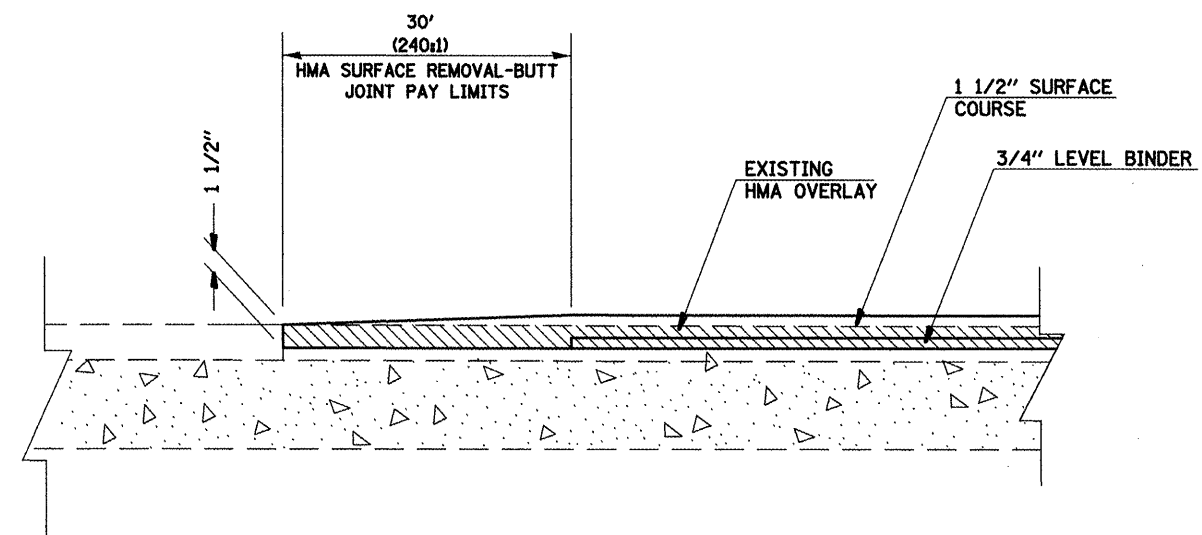
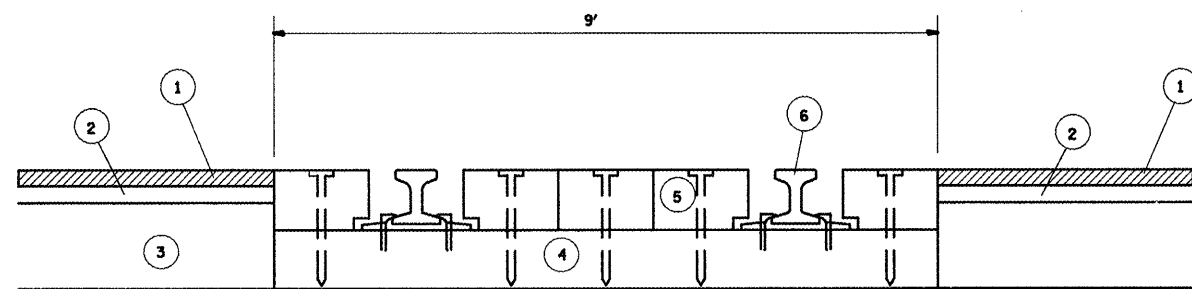


BRIDGE OMISSION DETAIL

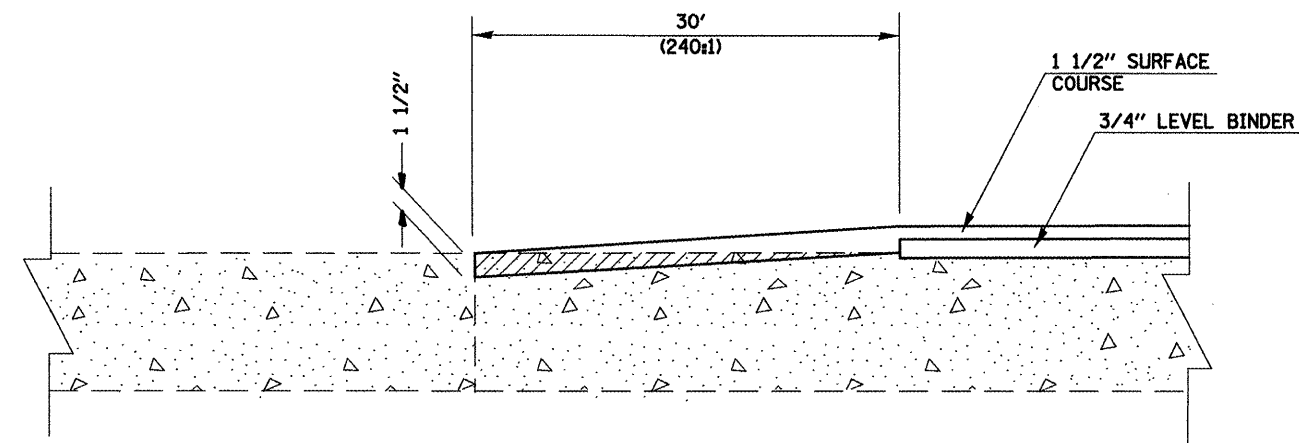


BRIDGE OMISSION DETAIL



JOINTS @ RAILROAD

- ① PROPOSED 2 1/4 " MILLING AND BITUMINOUS RESURFACING
- ② EXISTING BITUMINOUS SURFACE
- ③ EXISTING PAVEMENT
- ④ EXISTING RR TIES
- ⑤ EXISTING RR PLANKS
- ⑥ EXISTING RAIL



MAINLINE BUTT JOINT DETAIL
BEGINING & ENDING OF PROJECT

FILE NAME =	USER NAME = oonoverp.j	DESIGNED -	REVISED -
ca:\pwwork\pwwid\CONOVERPJ\d0119570\d0119570.dwg	6b75-shr-plan.dgn	DRAWN -	REVISED -
	PLOT SCALE = 100.0000 / IN.	CHECKED -	REVISED -
	PLOT DATE = 1/15/2010	DATE -	REVISED -

**STATE OF ILLINOIS
DEPARTMENT OF TRANSPORTATION**

BUTT JOINT DETAILS	
SCALE: _____	SHEET NO. 2 OF 2 SHEETS
STA. _____	TO STA. _____

*FAS 2826/FAU 8565

F.A. RTE.	SECTION	COUNTY	TOTAL SHEETS	SHEET NO.
•	(106,107,108,109)RS-3	MARION	47	38
CONTRACT NO. T6875				
FED. ROAD DIST. NO. ILLINOIS FED. AID PROJECT				