

FINAL SURVEY NO.	SURVEYED PLOTTED AREAS CHECKED	BY	DATE
NOTE BOOK	TEMPLATE		
	AREAS CHECKED		

ORIGINAL SURVEY NO.	SURVEYED PLOTTED AREAS CHECKED	BY	DATE
NOTE BOOK	TEMPLATE		
	AREAS CHECKED		

MODEL: I:\MCD\41 - 5900+25.00 (Sheet)
 FILE NAME: W:\2020\02\20\InRoads\Station\CAD_Sheets\Cross-Sections\02_64L94-SP-Sherwood-Lincoln.dgn



USER NAME	= Marc.A.Personette
DESIGNED	- PATRICK PAUSER
DRAWN	- PATRICK PAUSER
CHECKED	- BRAD LANGE
DATE	- 3/28/2026
PLOT SCALE	= 0.08333317 ' / in.
PLOT DATE	= 3/28/2026

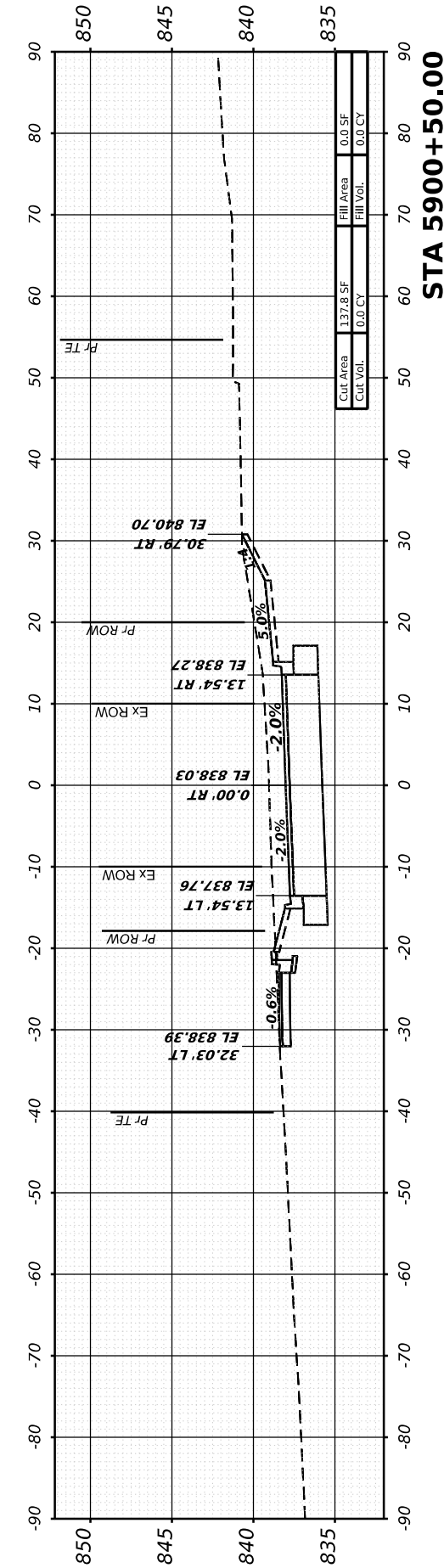
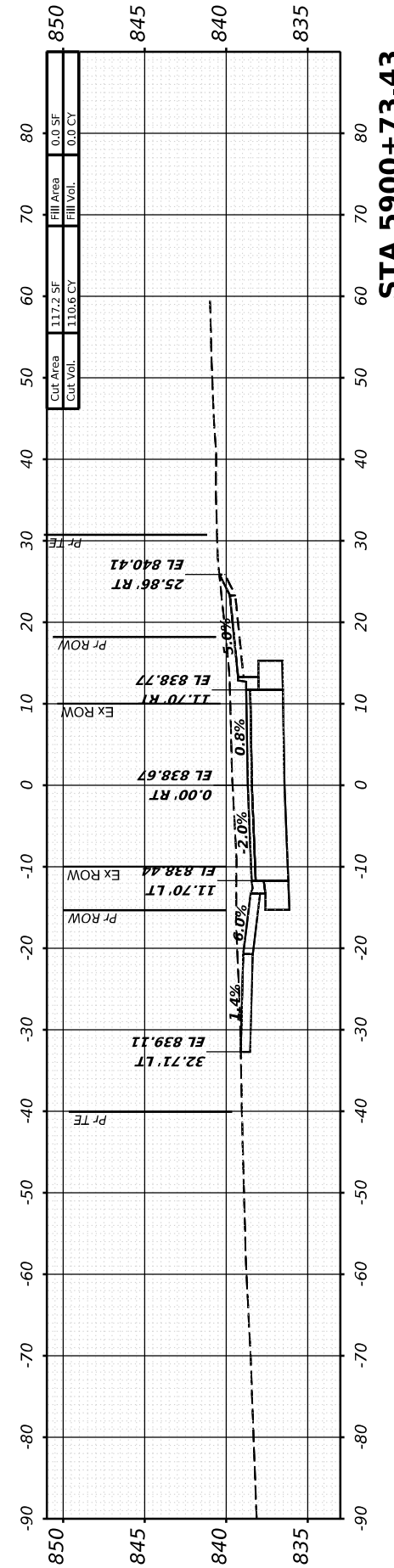
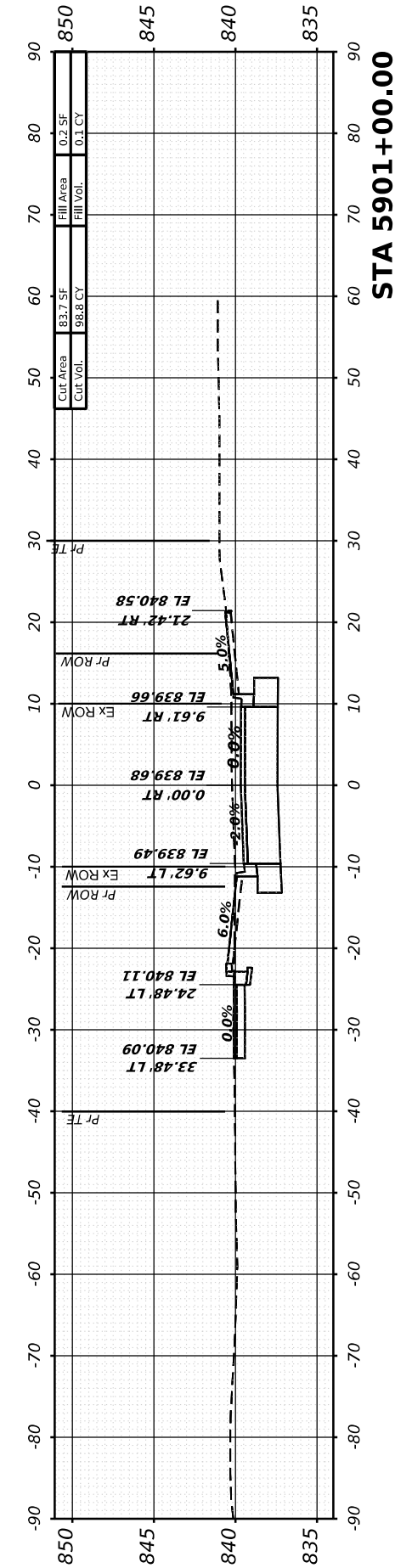
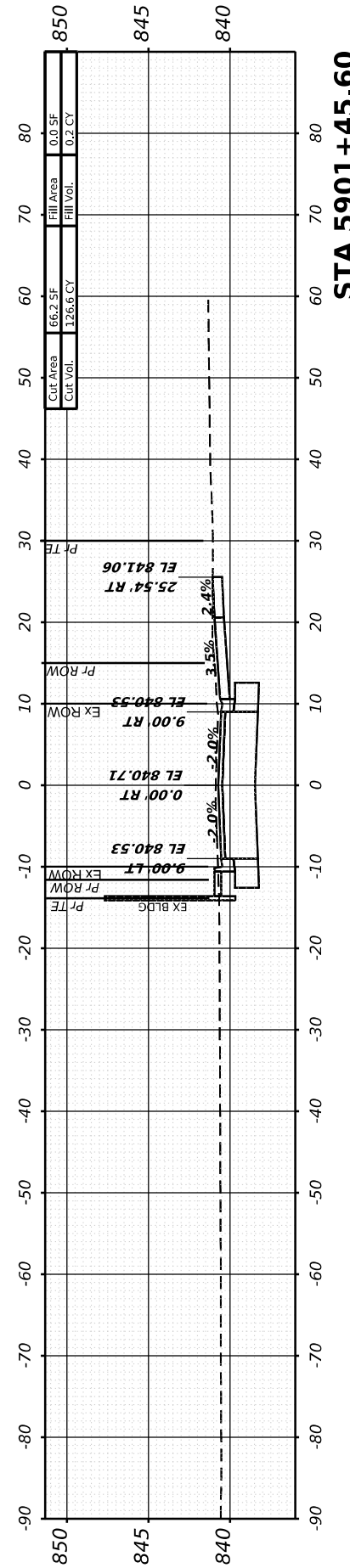
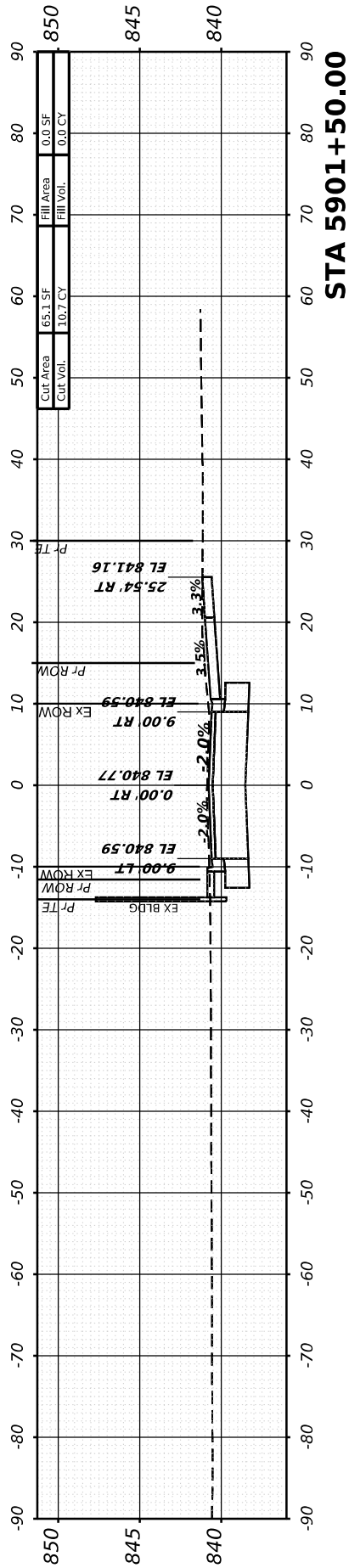
REVISED	-
REVISED	-
REVISED	-
REVISED	-

**STATE OF ILLINOIS
DEPARTMENT OF TRANSPORTATION**

**CROSS SECTIONS
LINCOLN ST**

SCALE: 1" = 20' SHEET 10 OF 35 SHEETS STA.

F.A.P. RTE.	SECTION	COUNTY	TOTAL SHEETS	SHEET NO.
611	104R	HENRY	426	401
CONTRACT NO. 64L94				
ILLINOIS FED. AID PROJECT				



FINAL SURVEY	SURVEYED	BY	DATE
NOTE BOOK	PLOTTED		
NO.	TEMPLATE		
	AREAS CHECKED		
	AREAS CHECKED		

ORIGINAL SURVEY	SURVEYED	BY	DATE
NOTE BOOK	PLOTTED		
NO.	TEMPLATE		
	AREAS CHECKED		
	AREAS CHECKED		

MODEL: I:\MCD\41 - 5901+84.11 [Sheet]
 FILE NAME: W:\2020\02\00\MicroStation\CAD_Sheets\Cross-Sections\02_64L94-SP-Siberias-Lincoln.dgn



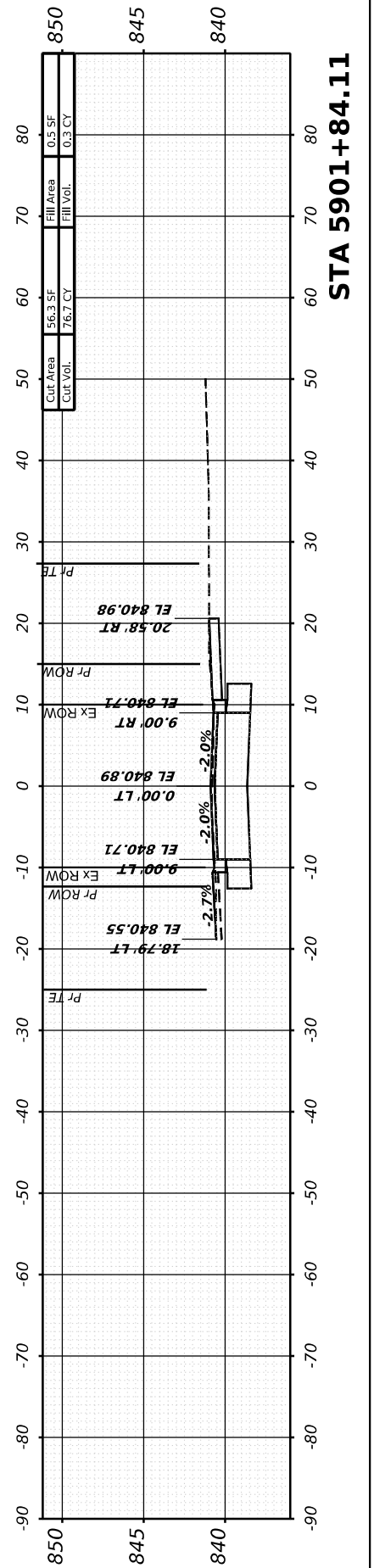
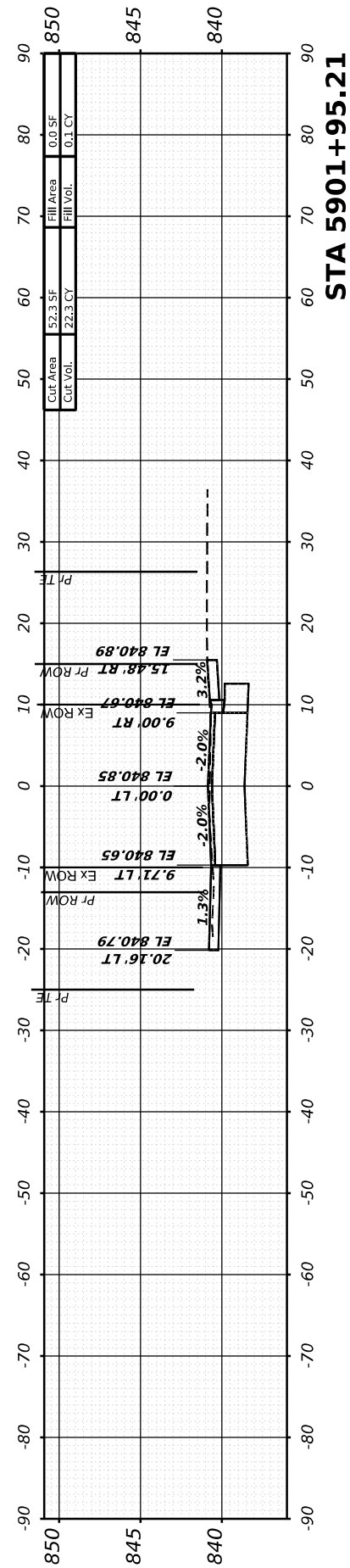
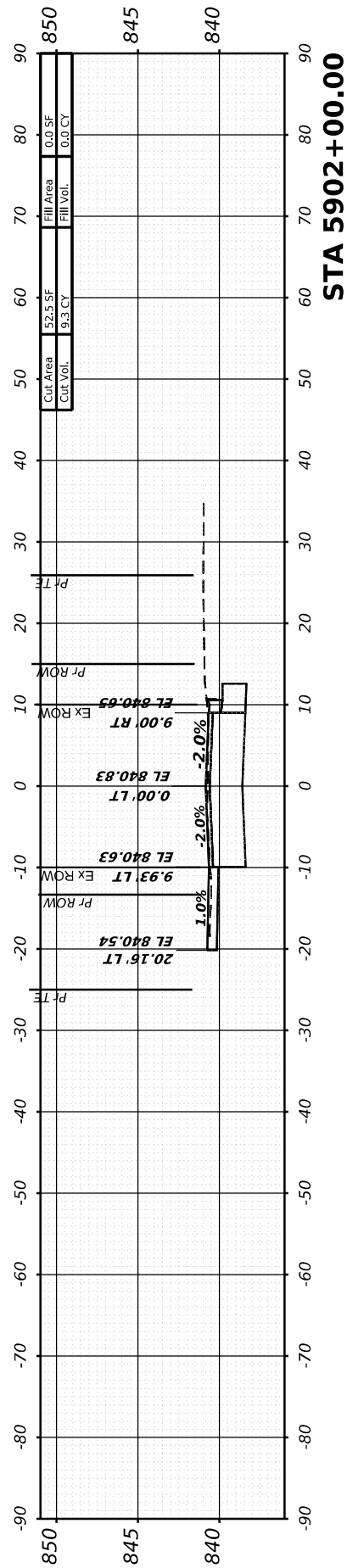
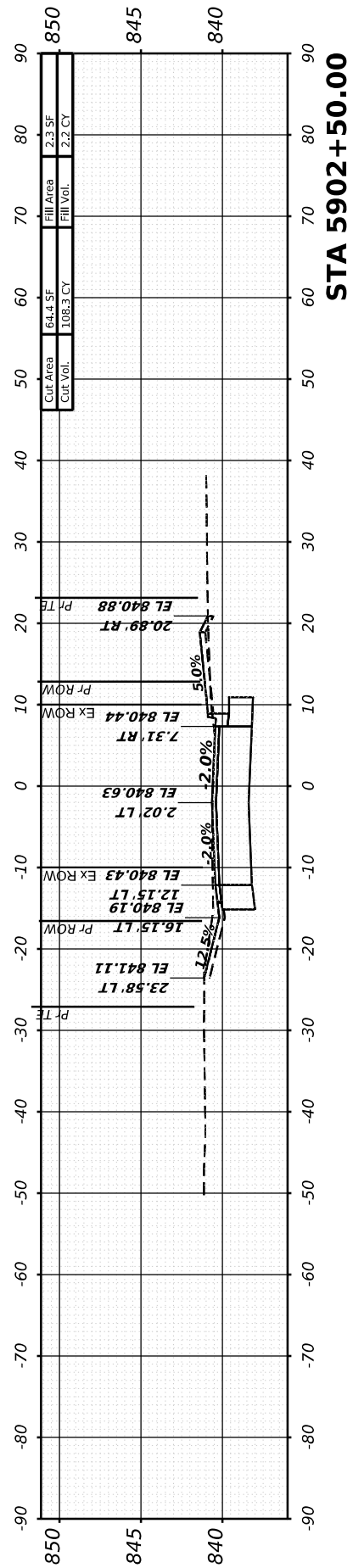
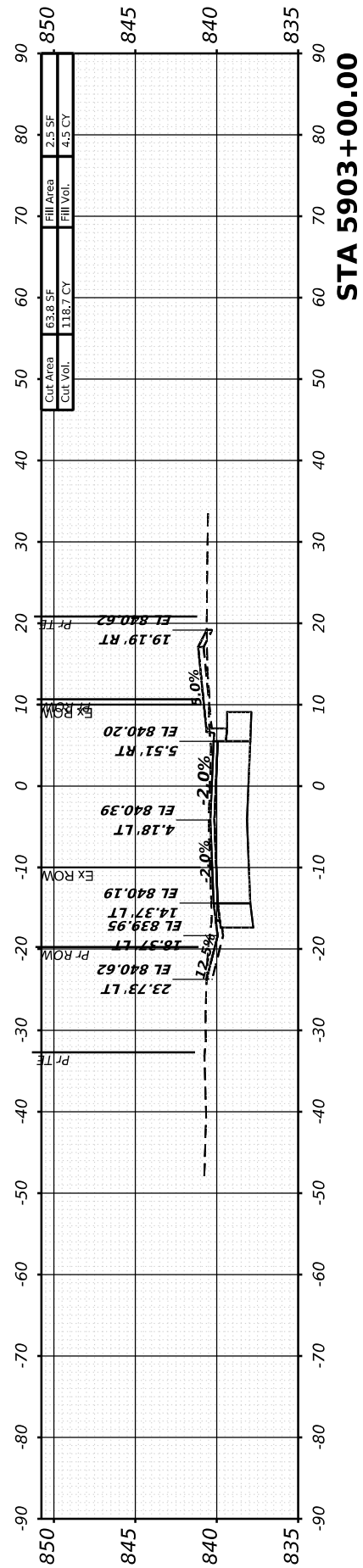
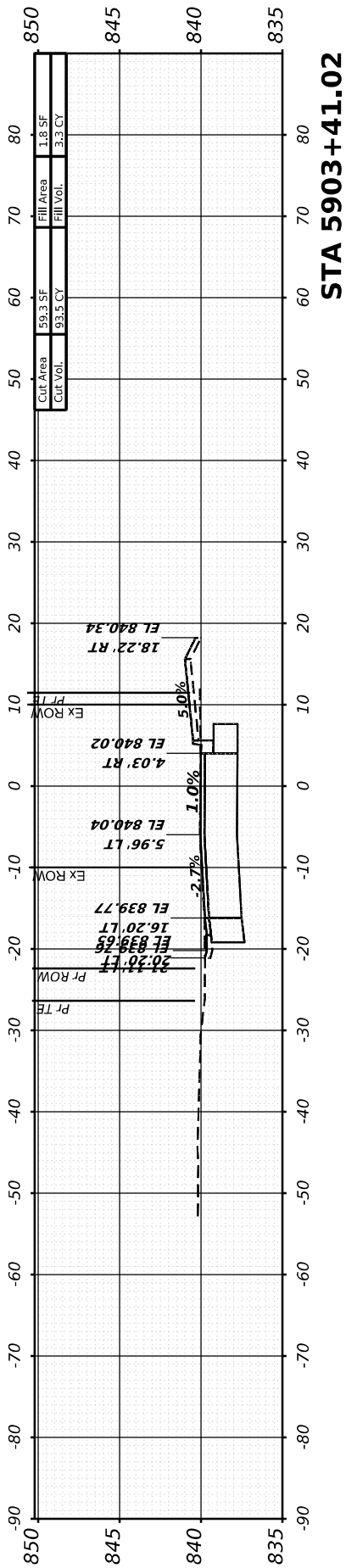
USER NAME = Marc.A.Personette	DESIGNED - PATRICK PAUSER	REVISED -
PLOT SCALE = 0.08333317 1/ in.	DRAWN - PATRICK PAUSER	REVISED -
PLOT DATE = 3/28/2026	CHECKED - BRAD LANGE	REVISED -
	DATE - 3/28/2026	REVISED -

**STATE OF ILLINOIS
 DEPARTMENT OF TRANSPORTATION**

**CROSS SECTIONS
 LINCOLN ST**

SCALE: 1" = 20' SHEET 11 OF 35 SHEETS STA.

F.A.P. RTE. 611	SECTION 104R	COUNTY HENRY	TOTAL SHEETS 426	SHEET NO. 402
CONTRACT NO. 64L94			ILLINOIS FED. AID PROJECT	



FINAL SURVEY NO.	SURVEYED PLOTTED AREAS CHECKED	BY	DATE

ORIGINAL SURVEY NO.	SURVEYED PLOTTED AREAS CHECKED	BY	DATE

MODEL: I:\MCD\41 - 5903+50.00 [Sheet]
 FILE NAME: W:\2000\02\00\InfoStation\CAD_Sheets\Cross-Sections\02_64L94-SP-5903+50.00.dgn



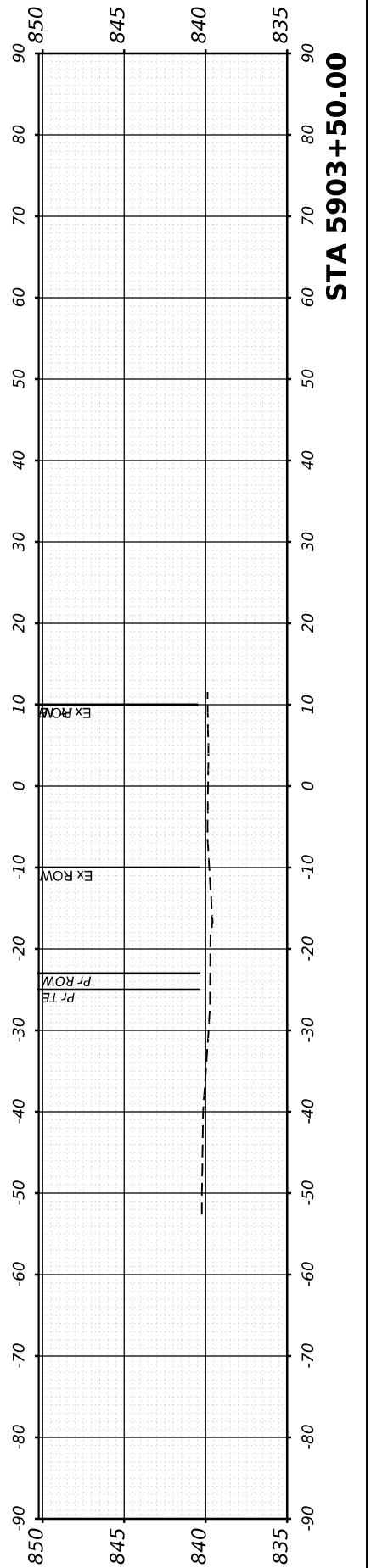
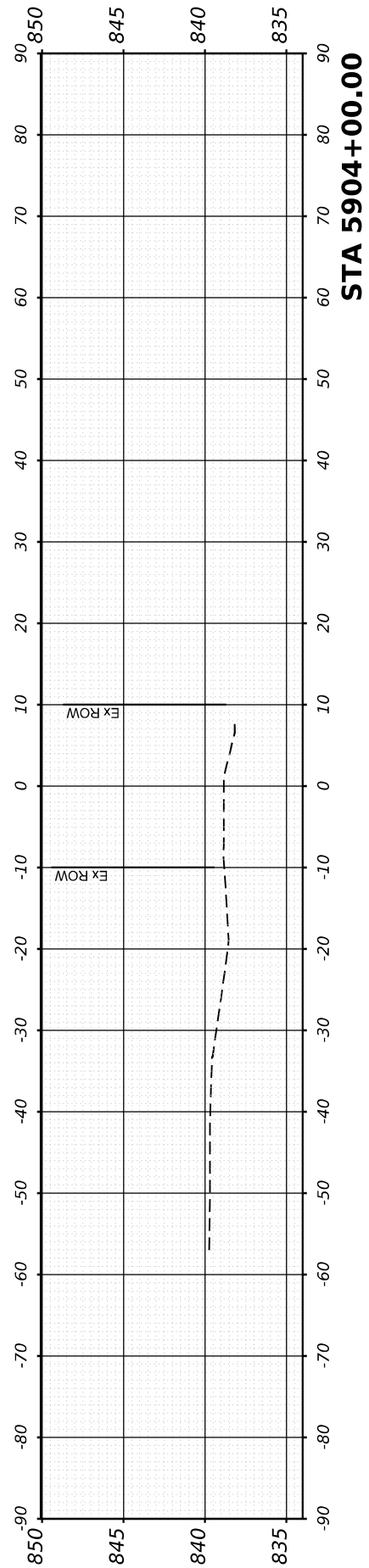
USER NAME = Marc.A.Personette	DESIGNED - PATRICK PAUSER	REVISED -
PLOT SCALE = 0.08333317 1/ in.	DRAWN - PATRICK PAUSER	REVISED -
PLOT DATE = 3/28/2026	CHECKED - BRAD LANGE	REVISED -
	DATE - 3/28/2026	REVISED -

**STATE OF ILLINOIS
 DEPARTMENT OF TRANSPORTATION**

**CROSS SECTIONS
 LINCOLN ST**

SCALE: 1" = 20' SHEET 12 OF 35 SHEETS STA.

F.A.P. RTE. 611	SECTION 104R	COUNTY HENRY	TOTAL SHEETS 426	SHEET NO. 403
CONTRACT NO. 64L94			ILLINOIS FED. AID PROJECT	



FINAL SURVEY	SURVEYED	BY	DATE
NOTE BOOK	PLOTTED		
NO.	TEMPLATE		
	AREAS CHECKED		
	AREAS CHECKED		

ORIGINAL SURVEY	SURVEYED	BY	DATE
NOTE BOOK	PLOTTED		
NO.	TEMPLATE		
	AREAS CHECKED		
	AREAS CHECKED		

MODEL: WASHINGTON - 6000+25.00 (Sheet)
 FILE NAME: W:\2020\02\20\microStation\CAD_Sheets\Cross-Sections\02_64L94-SF-Sheras-Washington.dgn



USER NAME	= Marc.A.Personette
PLOT SCALE	= 0.083333317 1/ in.
PLOT DATE	= 3/28/2026

DESIGNED	- PATRICK PAUSER
DRAWN	- PATRICK PAUSER
CHECKED	- BRAD LANGE
DATE	- 3/28/2026

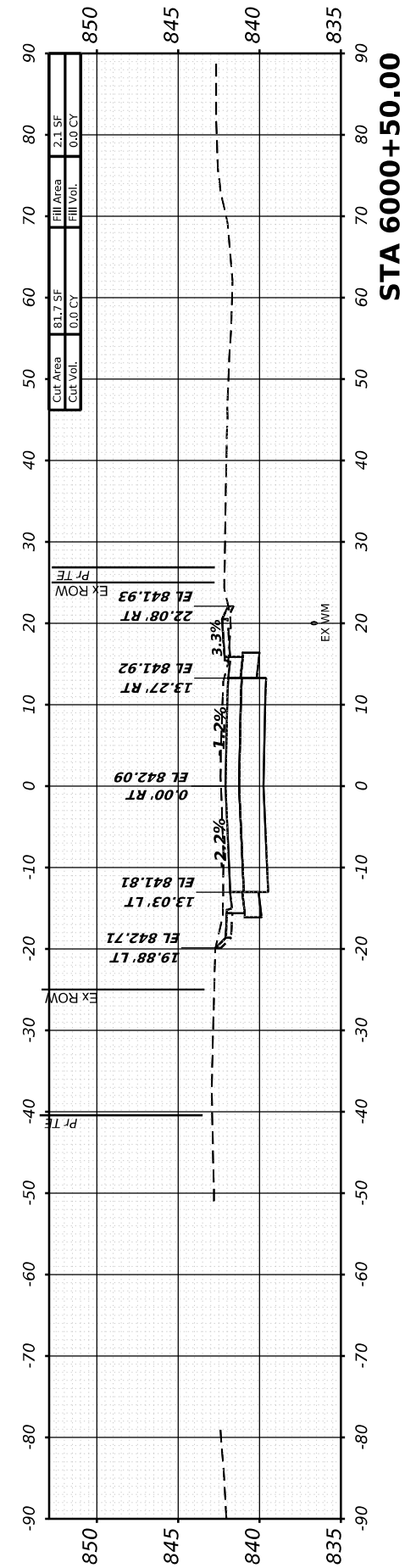
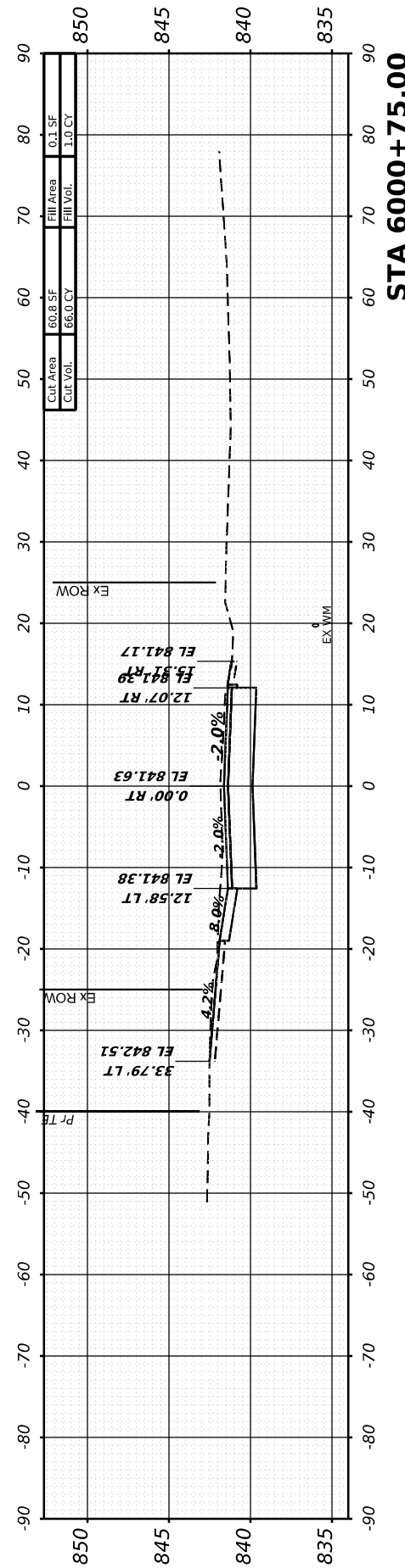
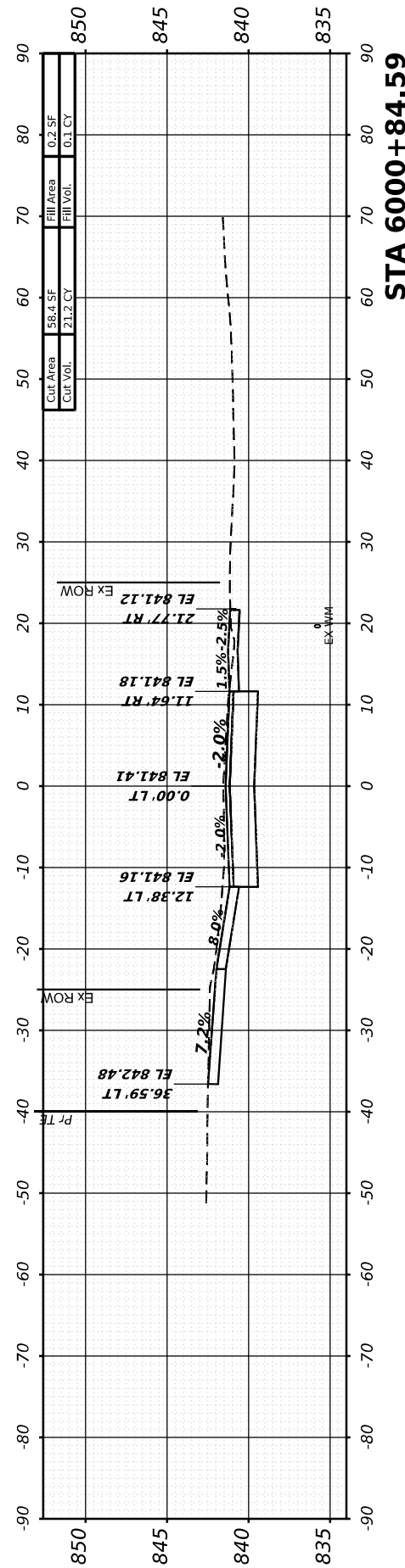
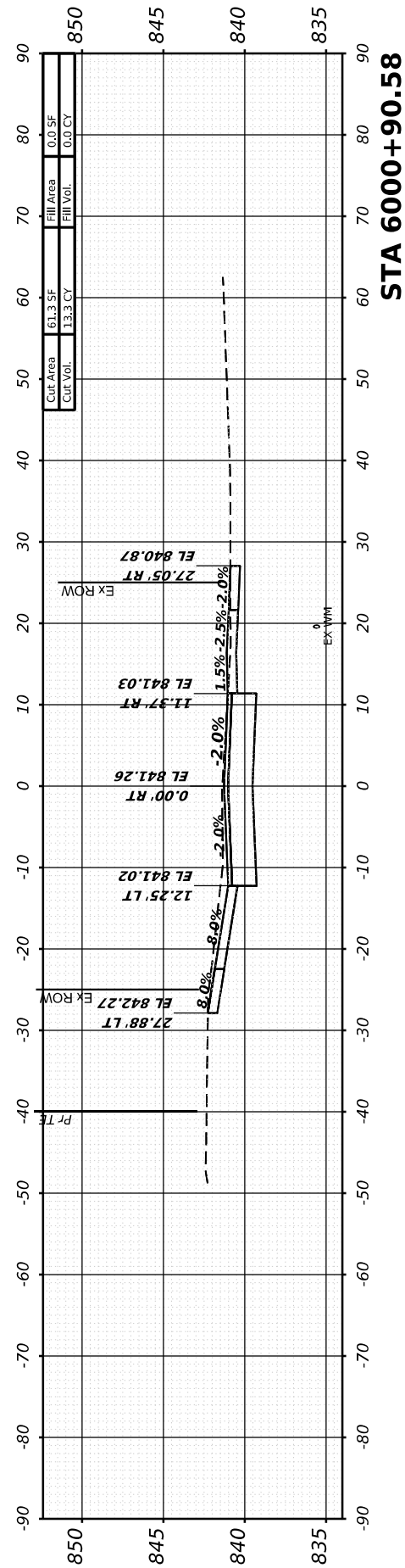
REVISED	-
REVISED	-
REVISED	-
REVISED	-

**STATE OF ILLINOIS
 DEPARTMENT OF TRANSPORTATION**

SCALE: 1" = 20' SHEET 13 OF 35 SHEETS STA.

**CROSS SECTIONS
 N. WASHINGTON ST**

F.A.P. RTE.	SECTION	COUNTY	TOTAL SHEETS	SHEET NO.
611	104R	HENRY	426	404
			CONTRACT NO. 64L94	
		ILLINOIS	FED. AID PROJECT	



FINAL SURVEY	SURVEYED	BY	DATE
NOTE BOOK	PLOTTED		
NO.	TEMPLATE		
	AREAS CHECKED		
	AREAS CHECKED		

ORIGINAL SURVEY	SURVEYED	BY	DATE
NOTE BOOK	PLOTTED		
NO.	TEMPLATE		
	AREAS CHECKED		
	AREAS CHECKED		

MODEL: WASHINGTON - 6001+00.00 (Sheet)
 FILE NAME: W:\2020\02\20\microstation\CAD_Sheets\Cross-Sections\02_64194-SP-Siberias-Washington.dgn



401 E. STATE ST, 4th Floor
 ROCKFORD, IL 61104
 PH: 815.965.6400
 WWW.IMEG.CORP.COM

USER NAME	= Marc.A.Pourette
PLOT SCALE	= 0.083333317 1/ in.
PLOT DATE	= 3/28/2026

DESIGNED	- PATRICK PAUSER
DRAWN	- PATRICK PAUSER
CHECKED	- BRAD LANGE
DATE	- 3/28/2026

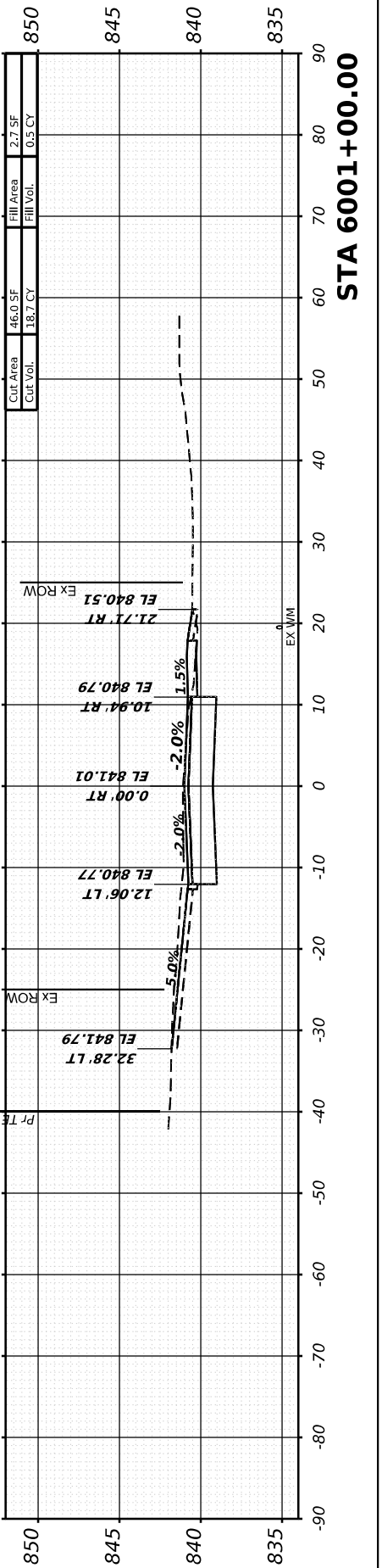
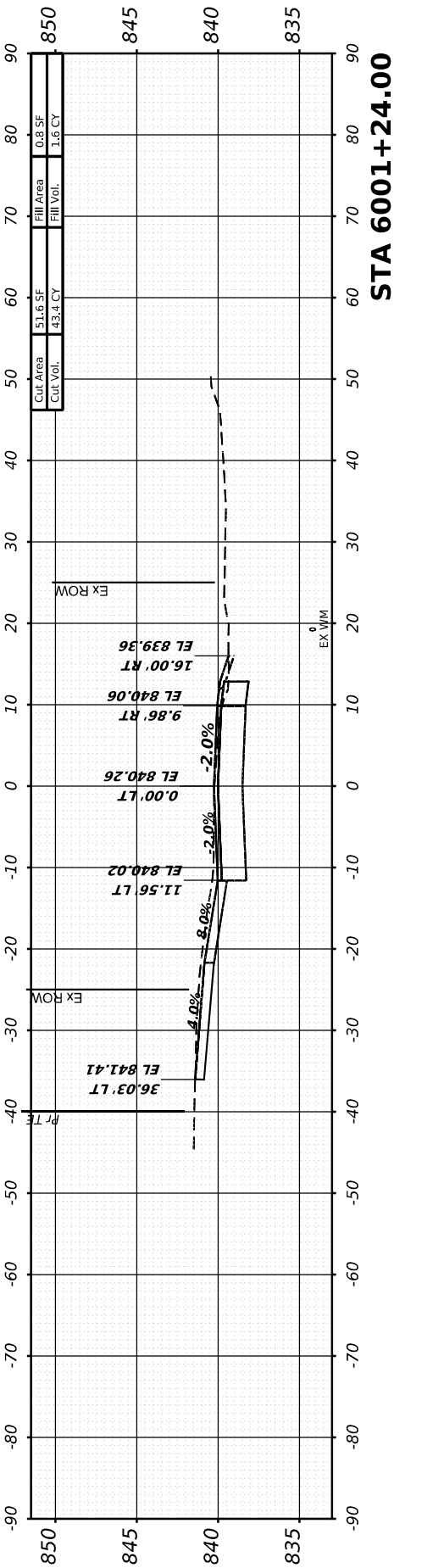
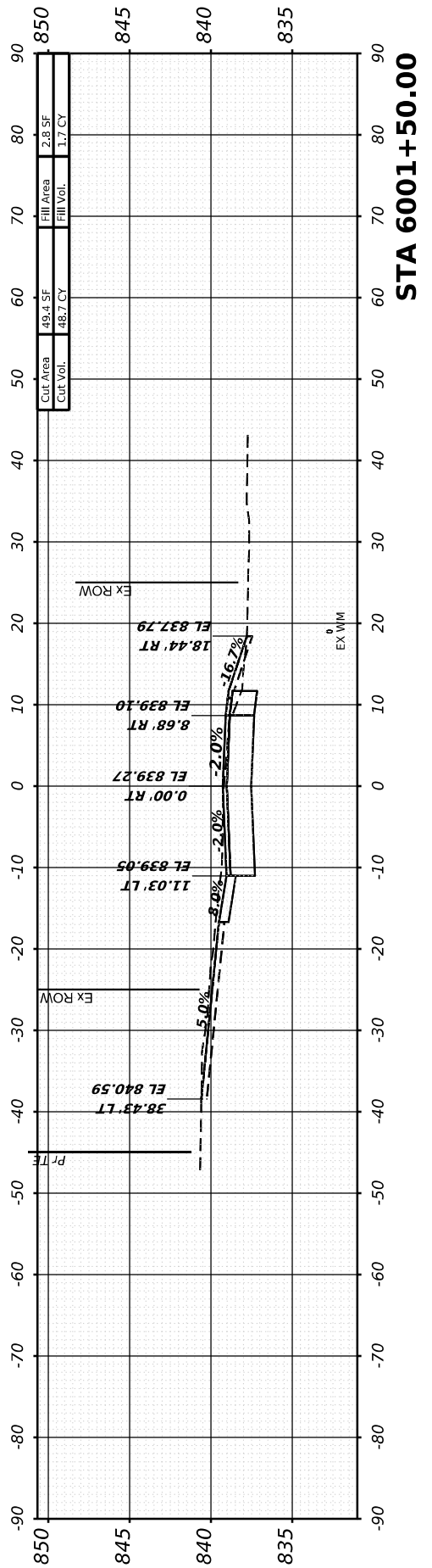
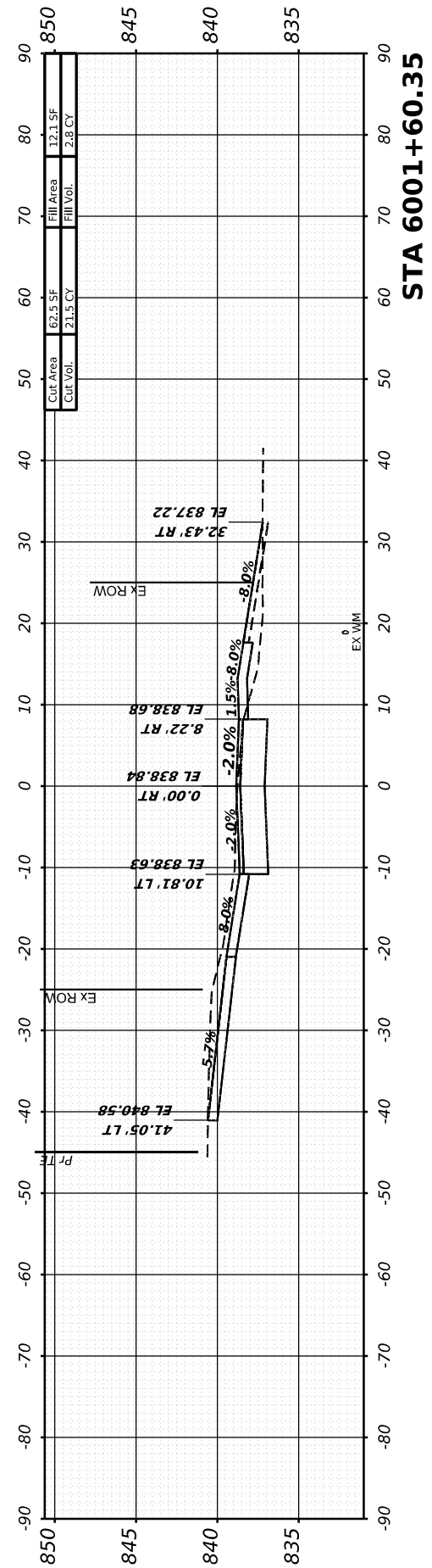
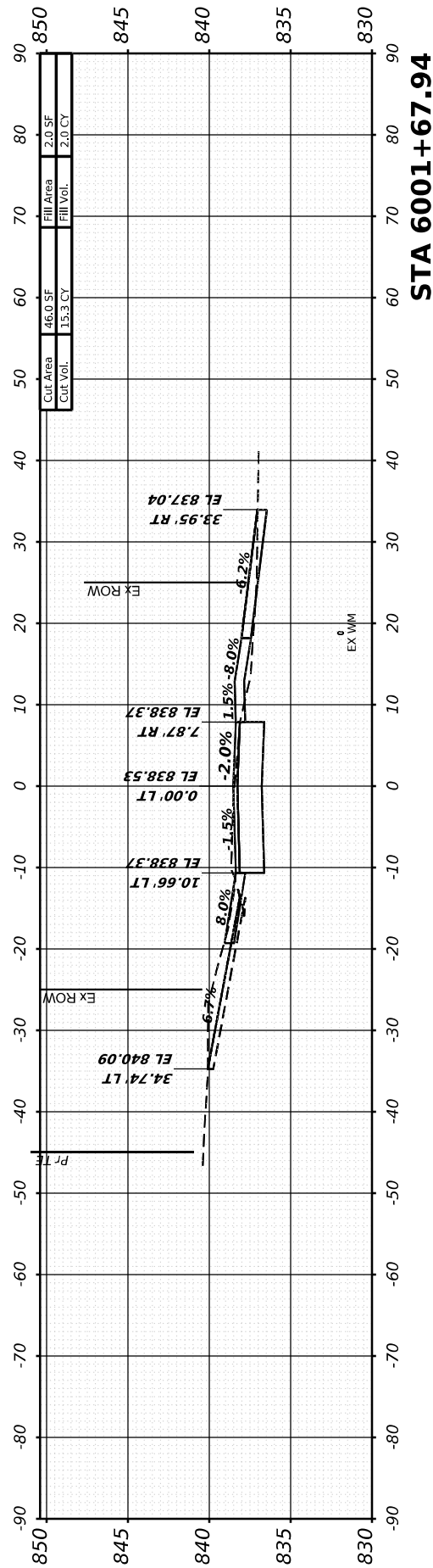
REVISED	-
REVISED	-
REVISED	-
REVISED	-

**STATE OF ILLINOIS
 DEPARTMENT OF TRANSPORTATION**

SCALE: 1" = 20' SHEET 14 OF 35 SHEETS STA.

**CROSS SECTIONS
 N. WASHINGTON ST**

F.A.P. RTE.	SECTION	COUNTY	TOTAL SHEETS	SHEET NO.
611	104R	HENRY	426	405
CONTRACT NO. 64L94				
ILLINOIS FED. AID PROJECT				



FINAL SURVEY NO.	SURVEYED PLOTTED AREAS CHECKED	BY	DATE

ORIGINAL SURVEY NO.	SURVEYED PLOTTED AREAS CHECKED	BY	DATE

MODEL: WASHINGTON - 6001+80.00 (Sheet)
 FILE NAME: W:\2000\02\00\InfoStation\CAD_Sheets\Cross-Sections\02_64L94-SP-Sherman-Washington.dgn



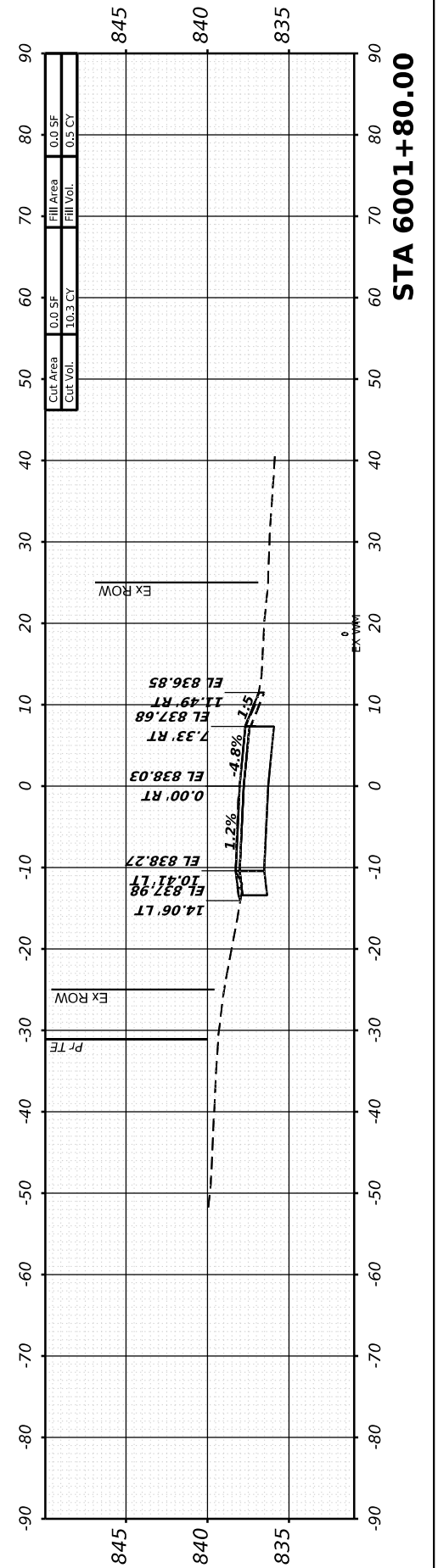
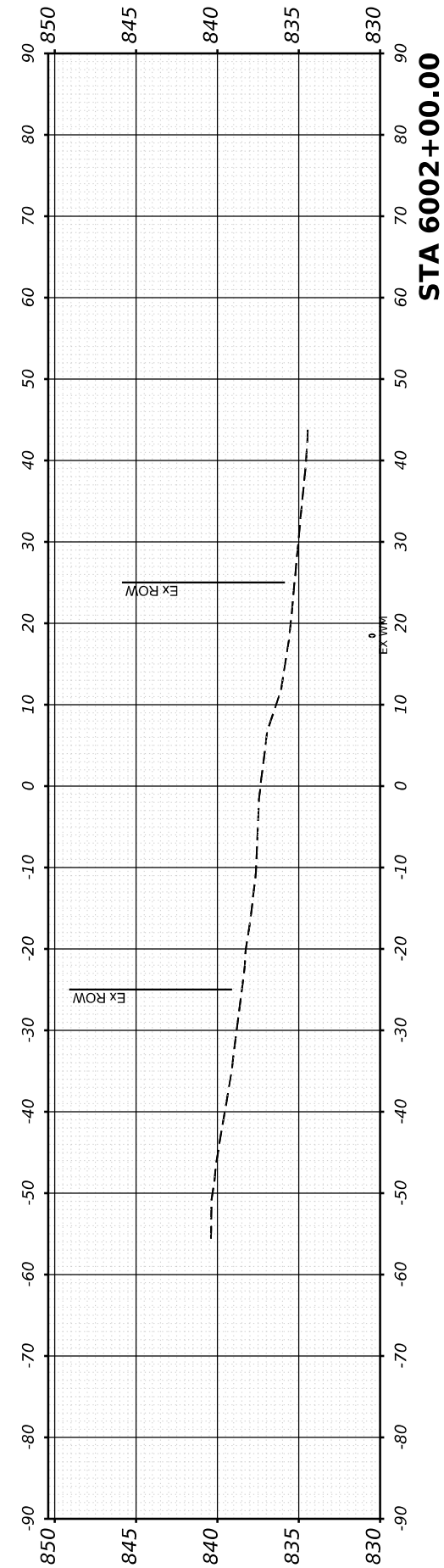
USER NAME = Marc.A.Personette	DESIGNED - PATRICK PAUSER	REVISED -
PLOT SCALE = 0.083333317 1/ in.	DRAWN - PATRICK PAUSER	REVISED -
PLOT DATE = 3/28/2026	CHECKED - BRAD LANGE	REVISED -
	DATE - 3/28/2026	REVISED -

**STATE OF ILLINOIS
 DEPARTMENT OF TRANSPORTATION**

**CROSS SECTIONS
 N. WASHINGTON ST**

SCALE: 1" = 20' SHEET 15 OF 35 SHEETS STA.

F.A.P. RTE. 611	SECTION 104R	COUNTY HENRY	TOTAL SHEETS 426	SHEET NO. 406
CONTRACT NO. 64L94			ILLINOIS FED. AID PROJECT	



FINAL SURVEY	SURVEYED	BY	DATE
NOTE BOOK	PLOTTED		
AREAS CHECKED	TEMPLATE		
NO.	AREAS CHECKED		

ORIGINAL SURVEY	SURVEYED	BY	DATE
NOTE BOOK	PLOTTED		
AREAS CHECKED	TEMPLATE		
NO.	AREAS CHECKED		

MODEL: WEST_SOUTH - 6097 +00.00 (Sheet)
 FILE NAME: W:\2020\02\00\MicroStation\CAD_Sheets\Cross-Sections\02_64194-SP-Siberias-West_S.dgn



USER NAME	= Marc.A.Personette
DESIGNED	- PATRICK PAUSER
DRAWN	- PATRICK PAUSER
PLLOT SCALE	= 0.08333317 ' / in.
PLLOT DATE	= 3/28/2026

REVISD	-
REVISD	-
REVISD	-
REVISD	-

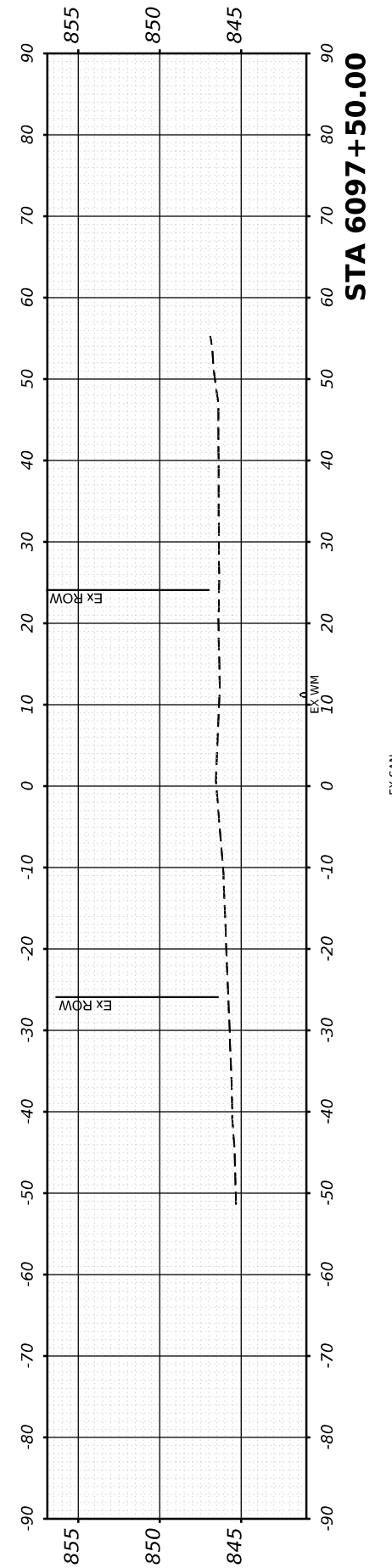
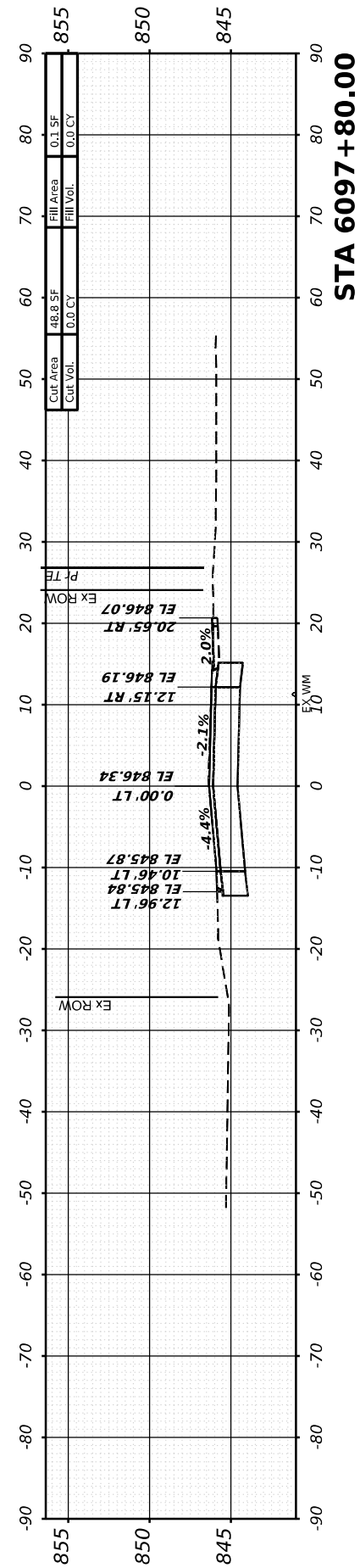
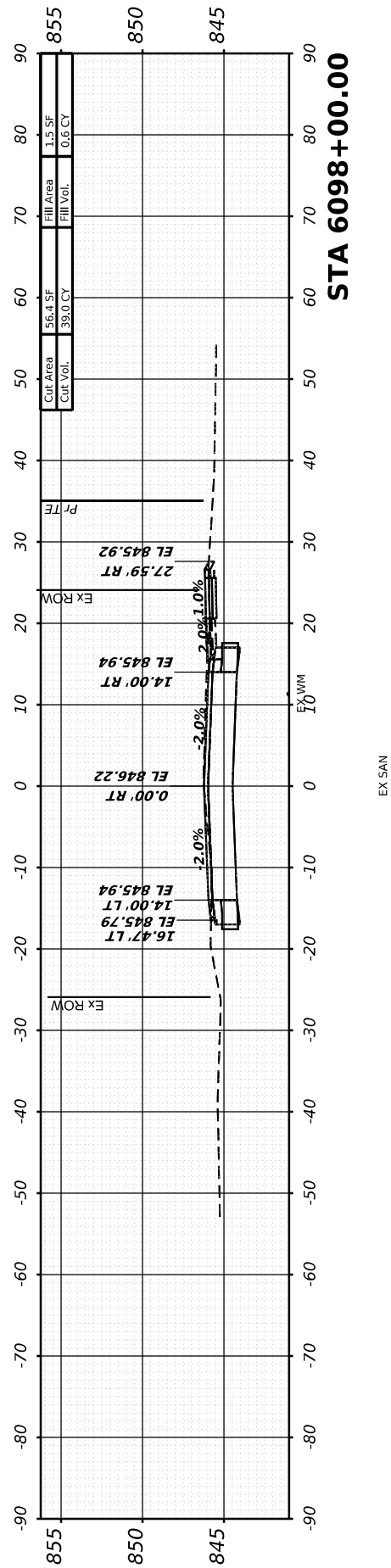
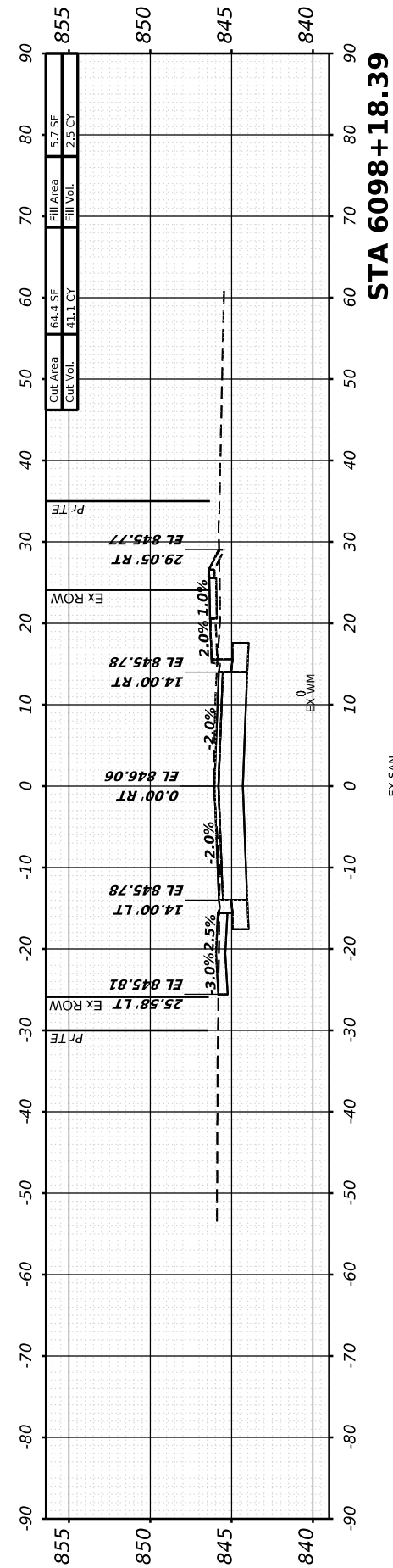
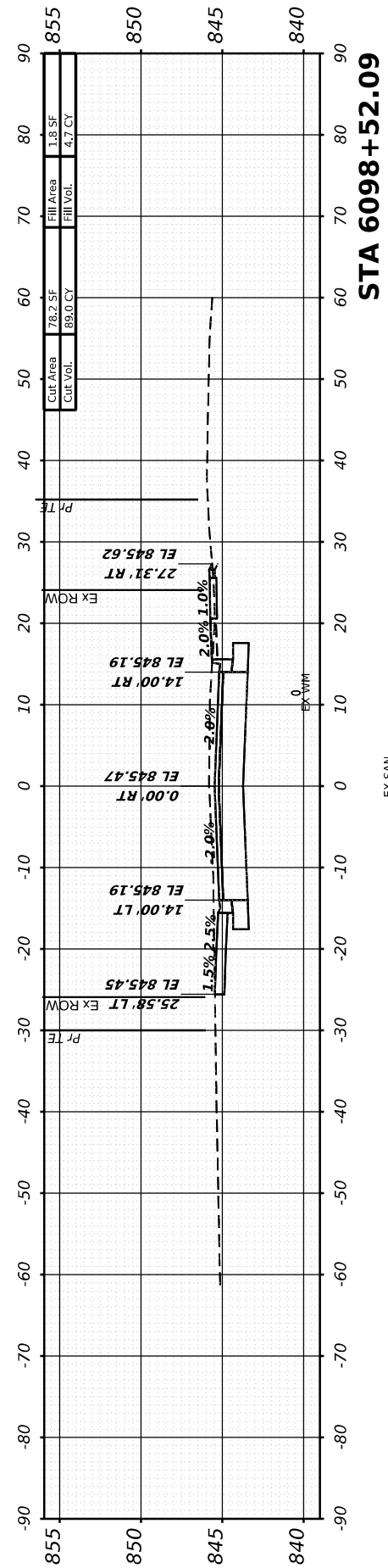
DATE	- 3/28/2026
REVISD	-

**STATE OF ILLINOIS
 DEPARTMENT OF TRANSPORTATION**

**CROSS SECTIONS
 N. WEST ST (S)**

SCALE: 1" = 20' SHEET 16 OF 35 SHEETS STA.

F.A.P. RTE.	SECTION	COUNTY	TOTAL SHEETS	SHEET NO.
611	104R	HENRY	426	407
CONTRACT NO. 64L94				
ILLINOIS FED. AID PROJECT				



FINAL SURVEY NO.	SURVEYED PLOTTED AREAS CHECKED	BY	DATE
NOTE BOOK	TEMPLATE		
	AREAS CHECKED		

ORIGINAL SURVEY NO.	SURVEYED PLOTTED AREAS CHECKED	BY	DATE
NOTE BOOK	TEMPLATE		
	AREAS CHECKED		

MODEL: WEST_SOUTH - 6099+00.00 (Sheet)
 FILE NAME: W:\2000\02\00\microStation\CAD_Sheets\Cross-Sections\02_64L94-SF-Siberias-West_S.dgn



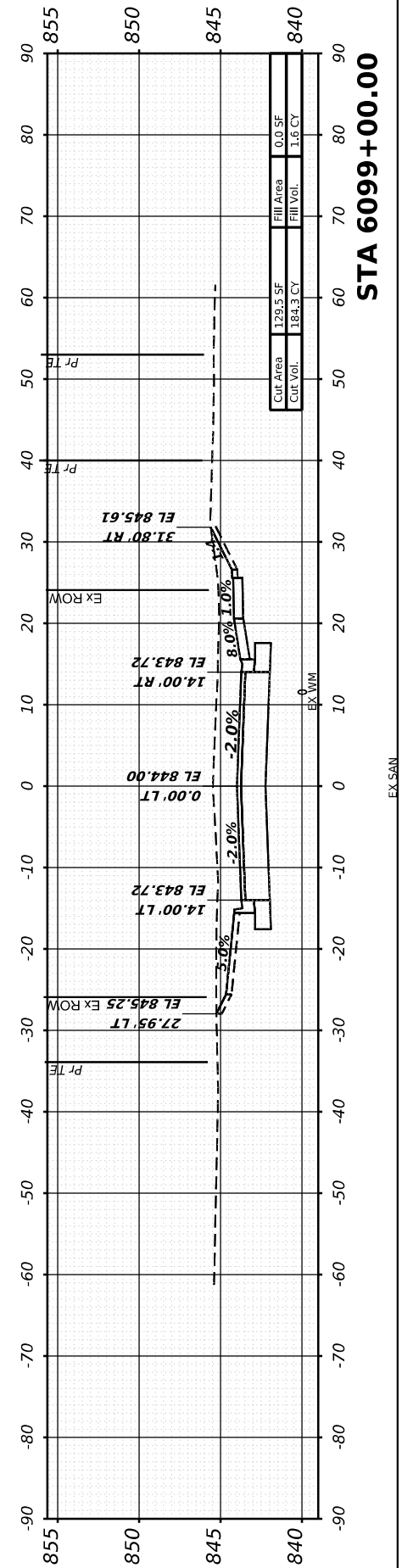
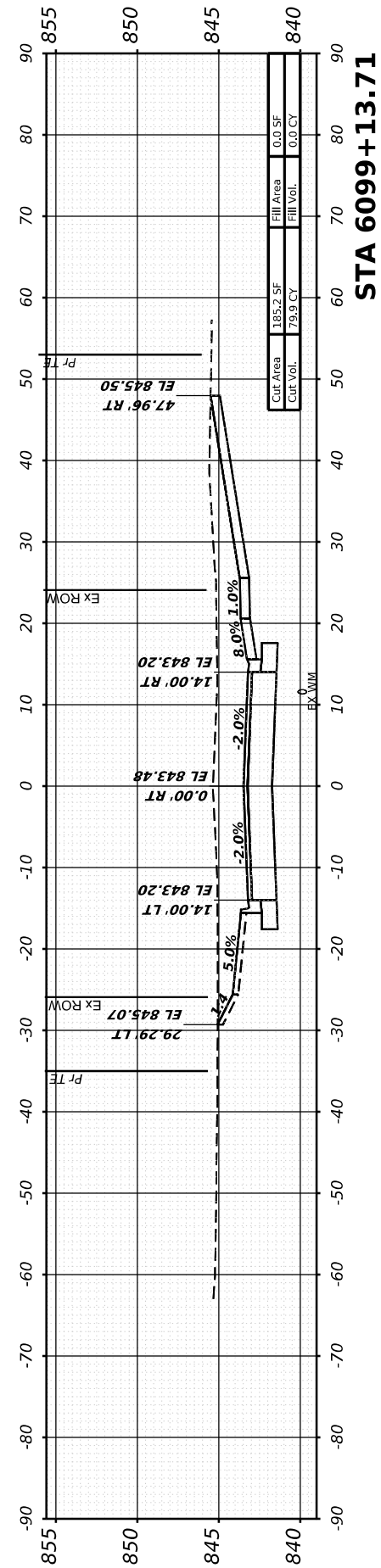
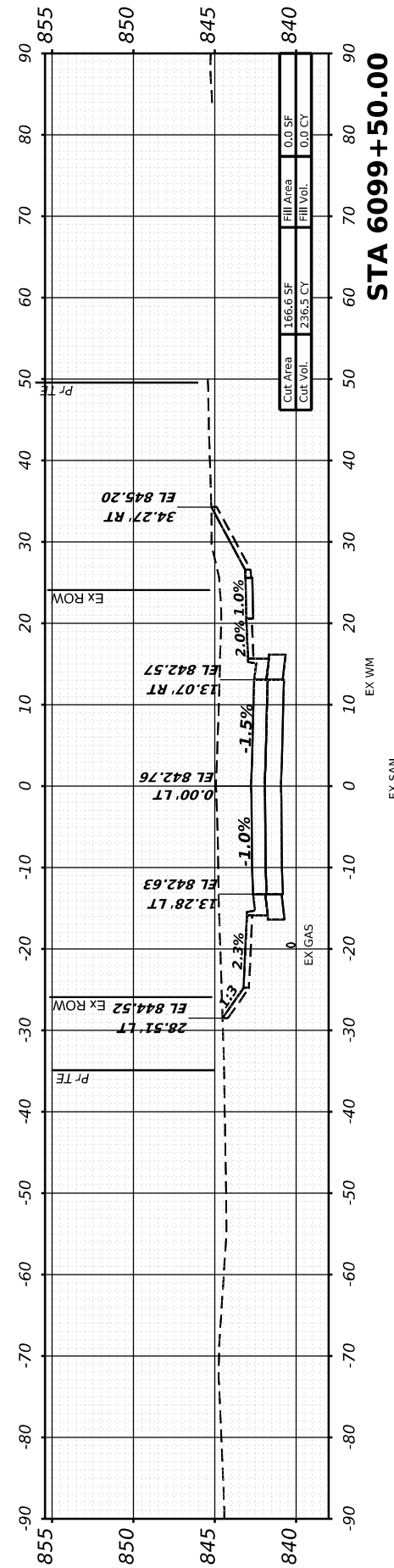
USER NAME = Marc.A.Personette	DESIGNED - PATRICK PAUSER	REVISED -
PLOT SCALE = 0.08333317 1/ in.	DRAWN - PATRICK PAUSER	REVISED -
PLOT DATE = 3/28/2026	CHECKED - BRAD LANGE	REVISED -
	DATE - 3/28/2026	REVISED -

**STATE OF ILLINOIS
DEPARTMENT OF TRANSPORTATION**

**CROSS SECTIONS
N. WEST ST (S)**

SCALE: 1" = 20' SHEET 17 OF 35 SHEETS STA.

F.A.P. RTE. 611	SECTION 104R	COUNTY HENRY	TOTAL SHEETS 426	SHEET NO. 408
CONTRACT NO. 64L94			ILLINOIS FED. AID PROJECT	



FINAL SURVEY NO.	SURVEYED BY	DATE
NOTE BOOK	PLOTTED	
AREAS CHECKED	TEMPLATE	
	AREAS CHECKED	

ORIGINAL SURVEY NO.	SURVEYED BY	DATE
NOTE BOOK	PLOTTED	
AREAS CHECKED	TEMPLATE	
	AREAS CHECKED	

MODEL: WEST_NORTH - 6202+50.00 [Sheet]
 FILE NAME: W:\2000\03200\microStation\CAD_Sheets\Cross-Sections\02_64L94-SF-Siberias-West_N.dgn



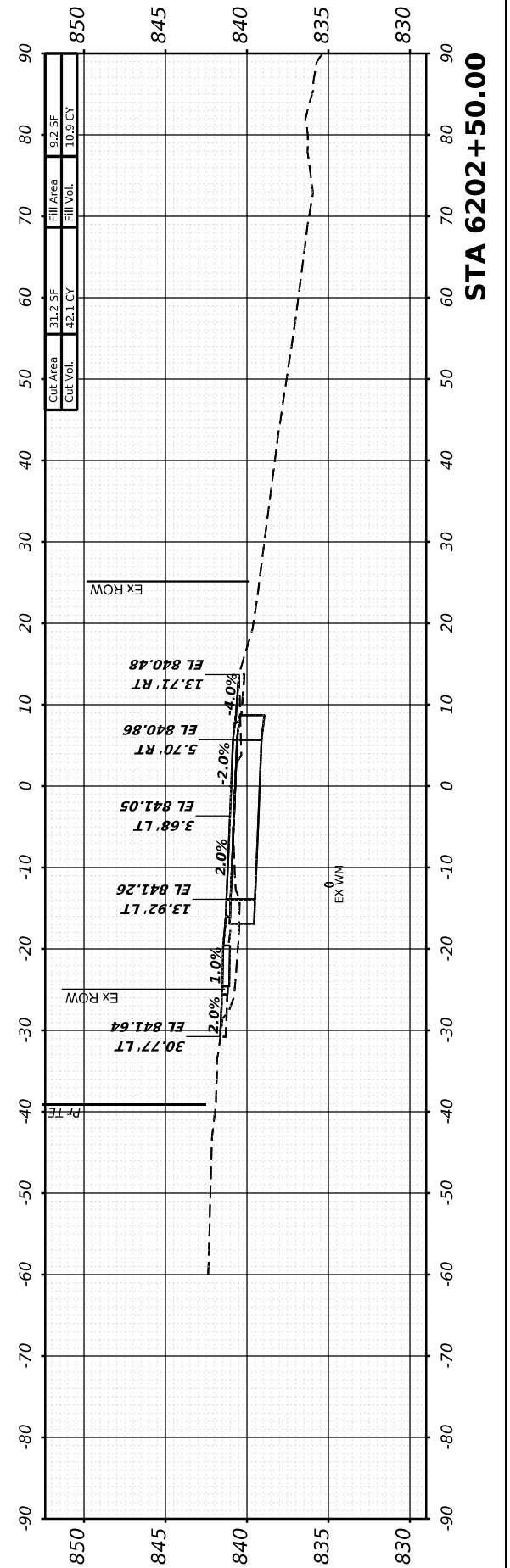
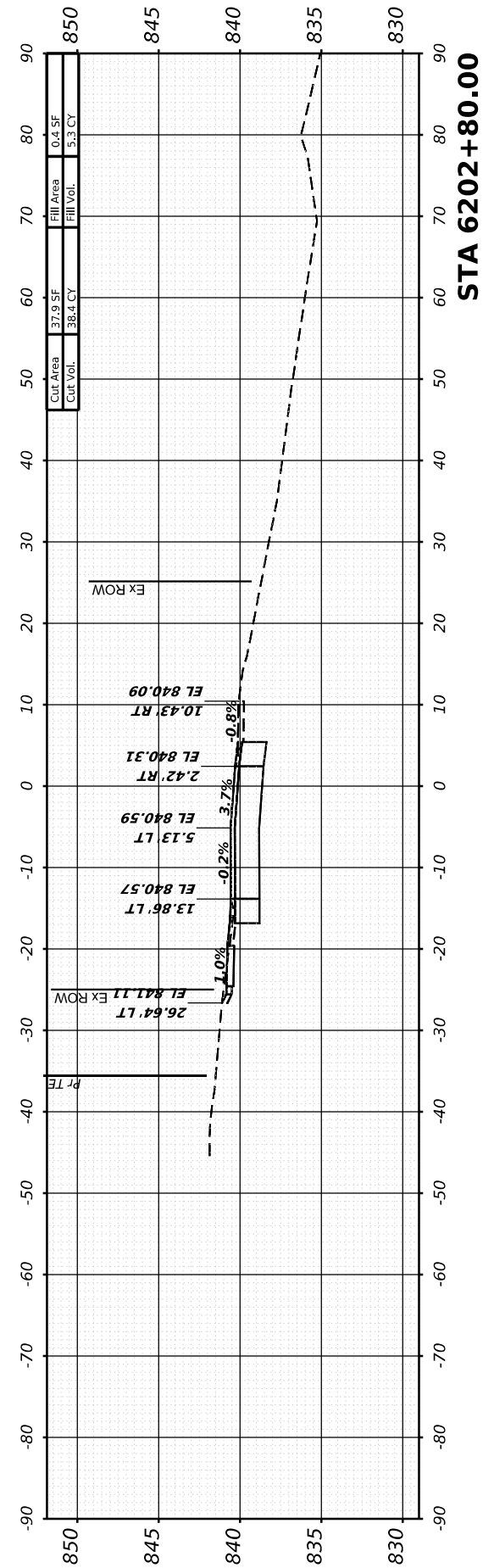
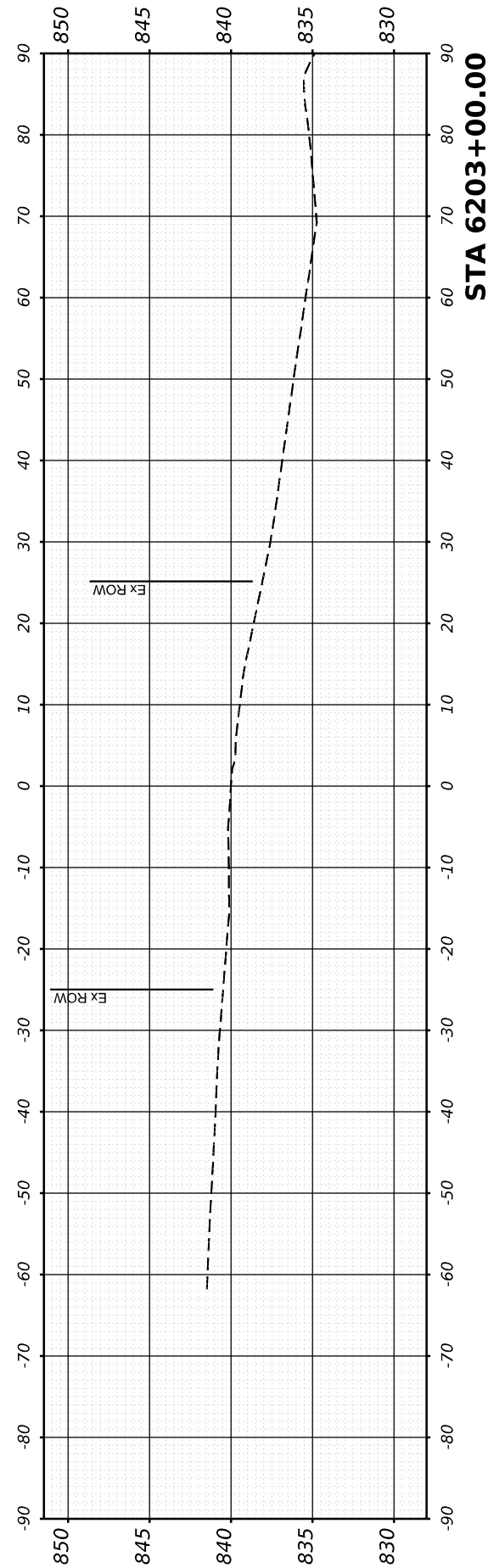
USER NAME = Marc.A.Personette	DESIGNED - PATRICK PAUSER	REVISED -
PLOT SCALE = 0.083333317 1/1 in.	DRAWN - PATRICK PAUSER	REVISED -
PLOT DATE = 3/28/2026	CHECKED - BRAD LANGE	REVISED -
	DATE - 3/28/2026	REVISED -

**STATE OF ILLINOIS
 DEPARTMENT OF TRANSPORTATION**

**CROSS SECTIONS
 N WEST ST (N)**

SCALE: 1" = 20' SHEET 20 OF 35 SHEETS STA.

F.A.P. RTE. 611	SECTION 104R	COUNTY HENRY	TOTAL SHEETS 426	SHEET NO. 411
CONTRACT NO. 64L94			ILLINOIS FED. AID PROJECT	



FINAL SURVEY	SURVEYED	BY	DATE
NOTE BOOK	PLOTTED		
NO.	TEMPLATE		
	AREAS CHECKED		
	AREAS CHECKED		

ORIGINAL SURVEY	SURVEYED	BY	DATE
NOTE BOOK	PLOTTED		
NO.	TEMPLATE		
	AREAS CHECKED		
	AREAS CHECKED		

MODEL: PERKINS - 6297 + 74.60 - 1 (Sheet)
 FILE NAME: W:\2000\02\00\InRoads\Station\CAD_Sheets\Cross-Sections\02_64L94-SP-Perkins-Perkins.dgn



USER NAME	= Marc.A.Personette
DESIGNED	- PATRICK PAUSER
DRAWN	- PATRICK PAUSER
PLLOT SCALE	= 0.08333317 ' / in.
PLLOT DATE	= 3/28/2026

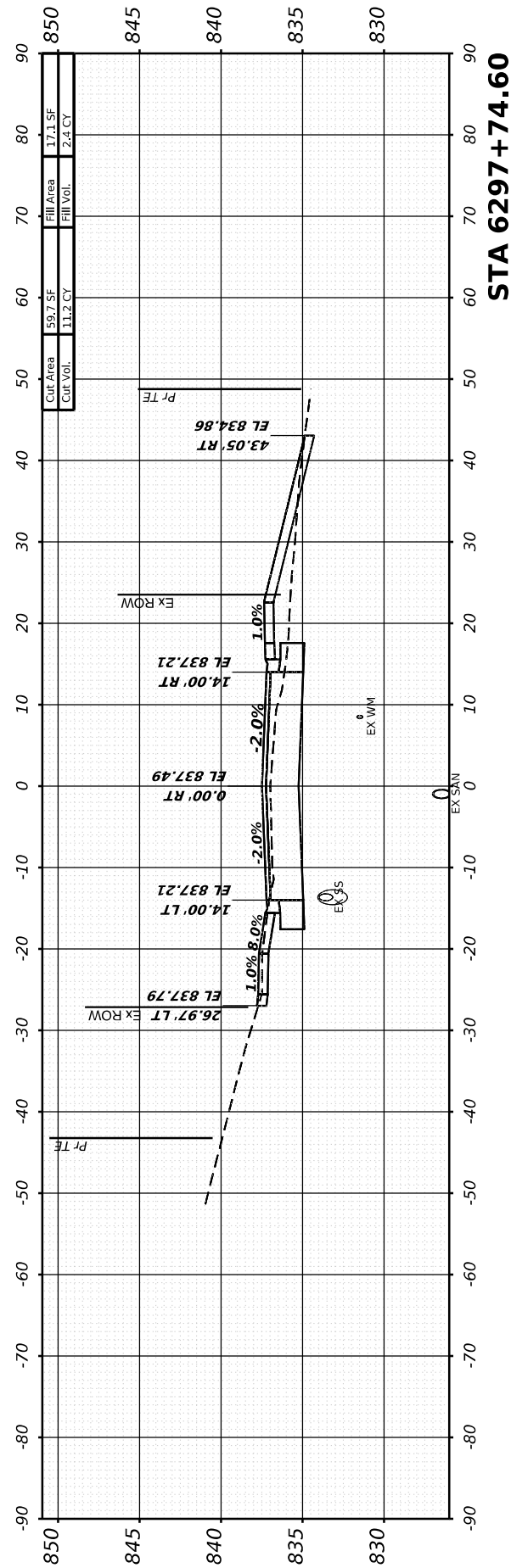
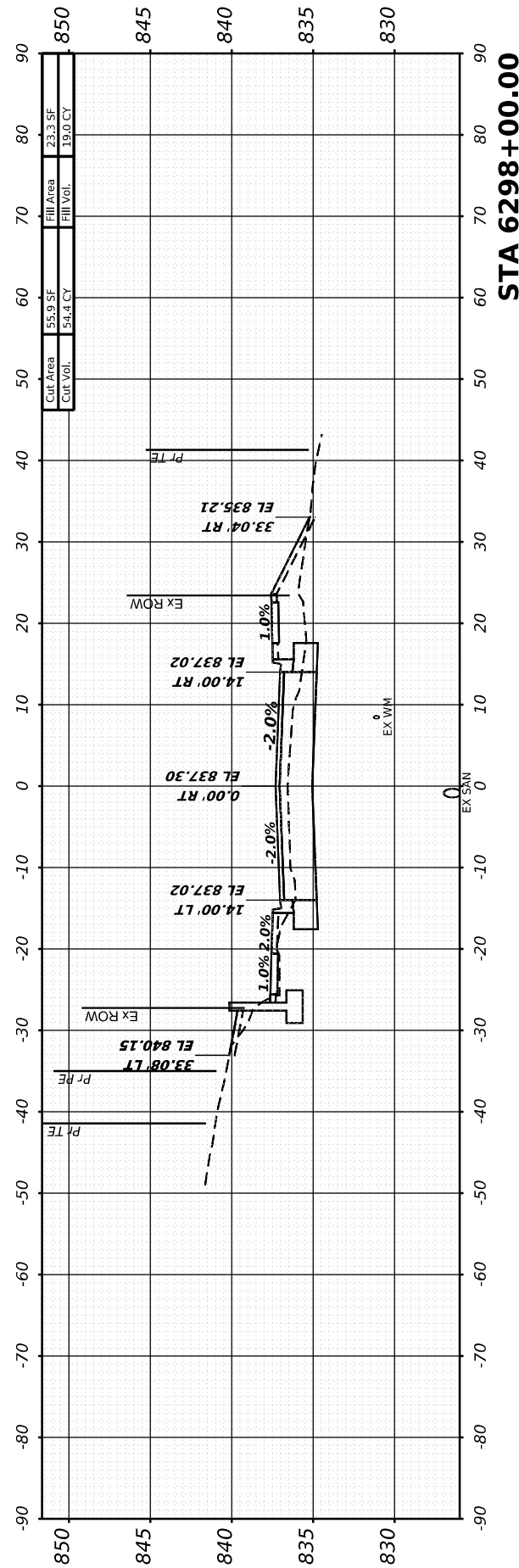
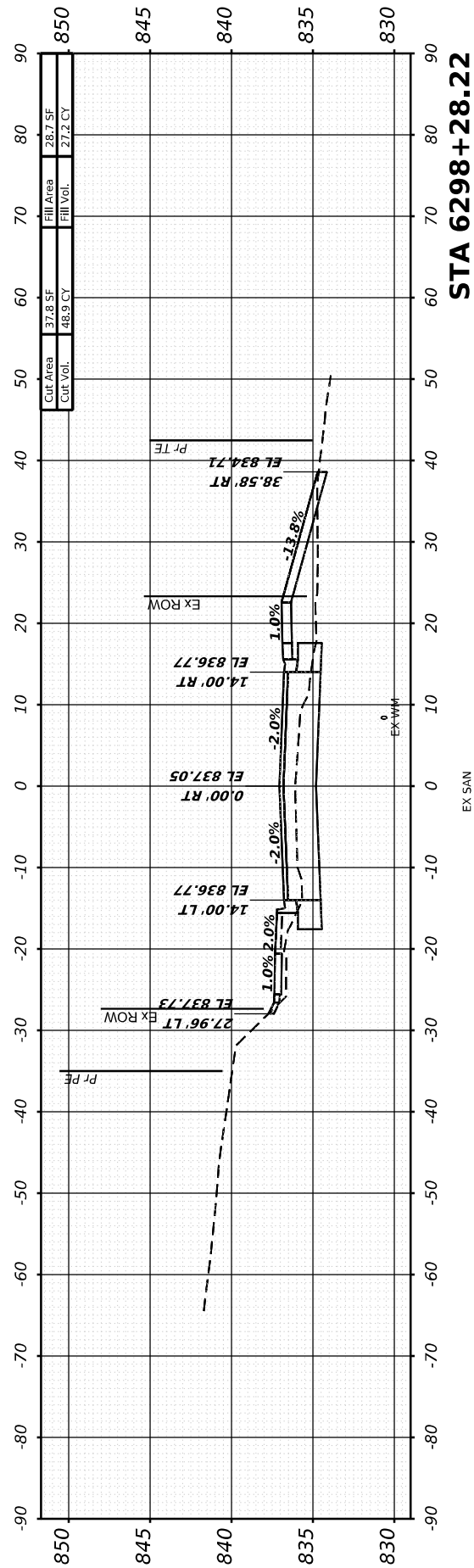
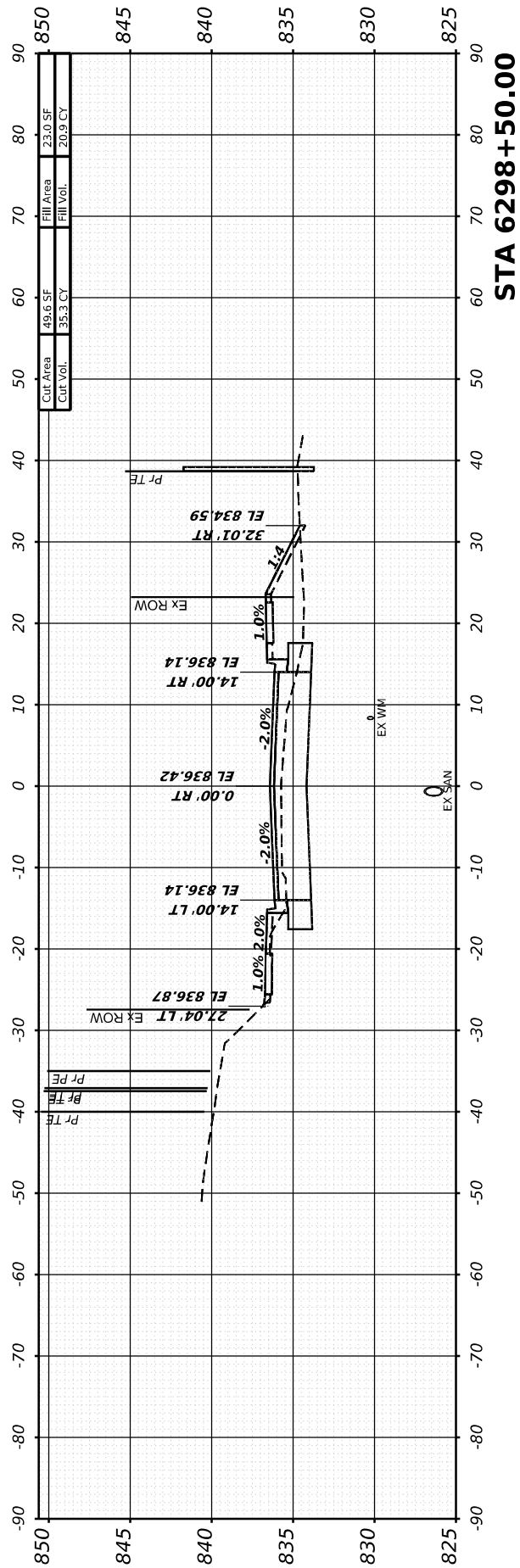
REVISD	-
REVISD	-
REVISD	-
REVISD	-
REVISD	-

**STATE OF ILLINOIS
DEPARTMENT OF TRANSPORTATION**

**CROSS SECTIONS
PERKINS ST**

SCALE: 1" = 20' SHEET 22 OF 35 SHEETS STA.

F.A.P. RTE.	SECTION	COUNTY	TOTAL SHEETS	SHEET NO.
611	104R	HENRY	426	413
CONTRACT NO. 64L94				
ILLINOIS FED. AID PROJECT				



FINAL SURVEY NO.	SURVEYED PLOTTED AREAS CHECKED	BY	DATE

ORIGINAL SURVEY NO.	SURVEYED PLOTTED AREAS CHECKED	BY	DATE

MODEL PERKINS - 6299+50.00-1 (Sheet)
 FILE NAME: W:\2000\02\00\InRoadStation\CAD_Sheets\Cross-Sections\02_64L94-SP-Perkins.dgn



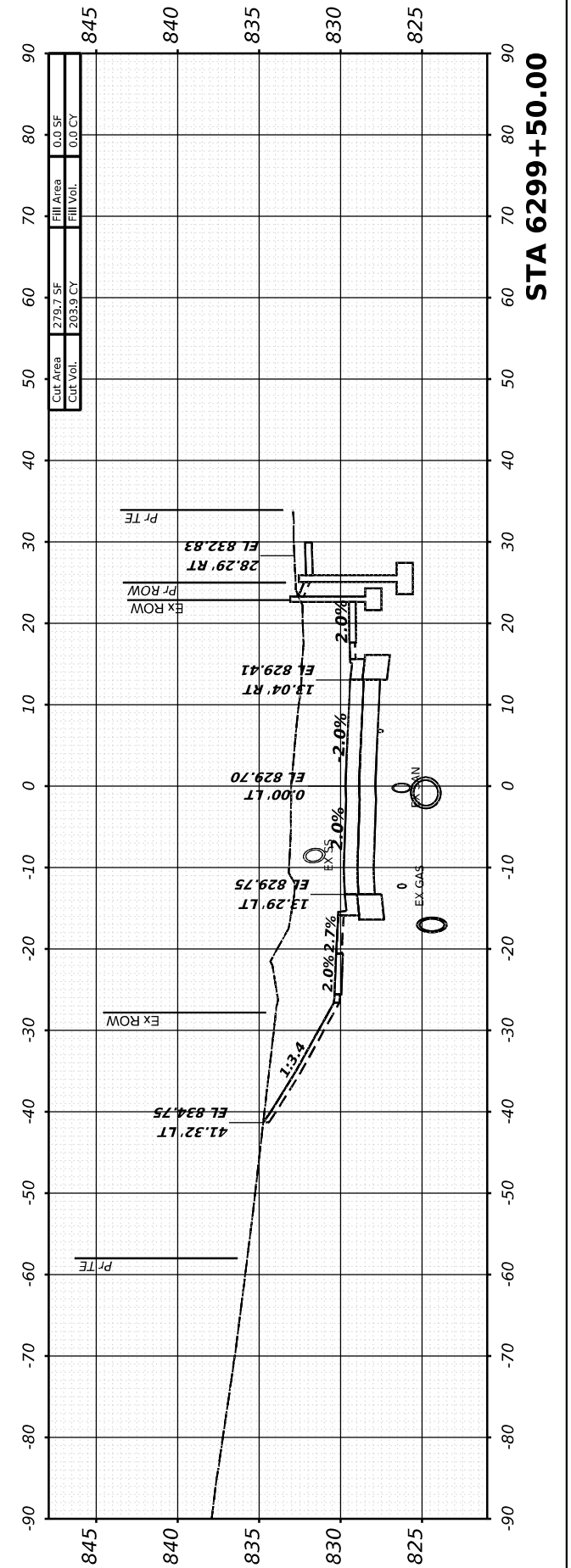
USER NAME = Marc.A.Personette	DESIGNED - PATRICK PAUSER	REVISED -
PLOT SCALE = 0.08333317 1/ in.	DRAWN - PATRICK PAUSER	REVISED -
PLOT DATE = 3/28/2026	CHECKED - BRAD LANGE	REVISED -
	DATE - 3/28/2026	REVISED -

**STATE OF ILLINOIS
 DEPARTMENT OF TRANSPORTATION**

**CROSS SECTIONS
 PERKINS ST**

SCALE: 1" = 20' SHEET 24 OF 35 SHEETS STA.

F.A.P. RTE. 611	SECTION 104R	COUNTY HENRY	TOTAL SHEETS 426	SHEET NO. 415
CONTRACT NO. 64L94			ILLINOIS FED. AID PROJECT	



FINAL SURVEY NO.	SURVEYED PLOTTED AREAS CHECKED	BY	DATE

ORIGINAL SURVEY NO.	SURVEYED PLOTTED AREAS CHECKED	BY	DATE

MODEL: RICE - 6399+00.00 (Sheet)
 FILE NAME: W:\2020\02\20\InRoads\Station\CAD_Sheets\Cross-Sections\02_64L94-SP-Siberias-Rice.dgn



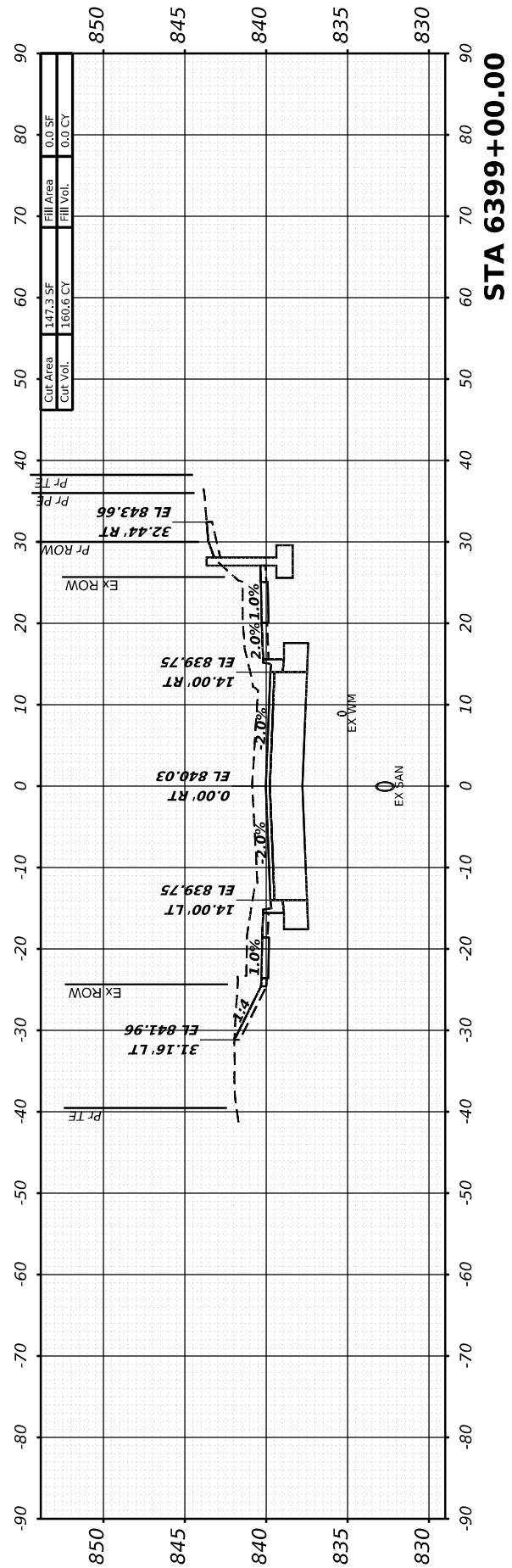
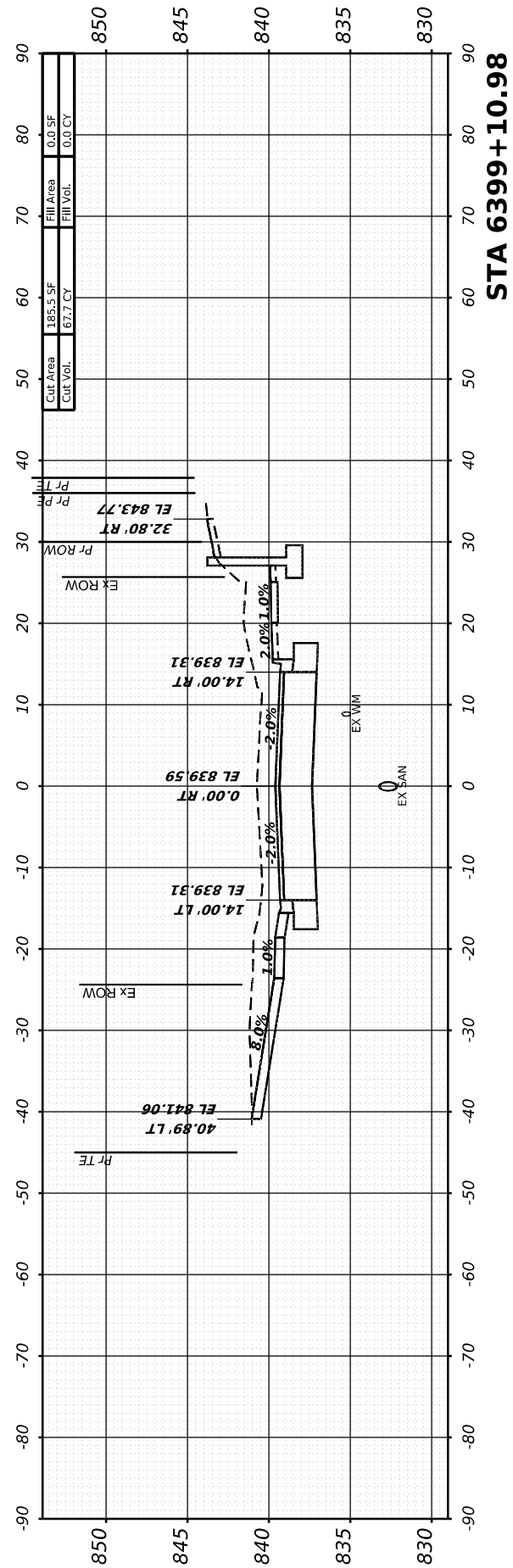
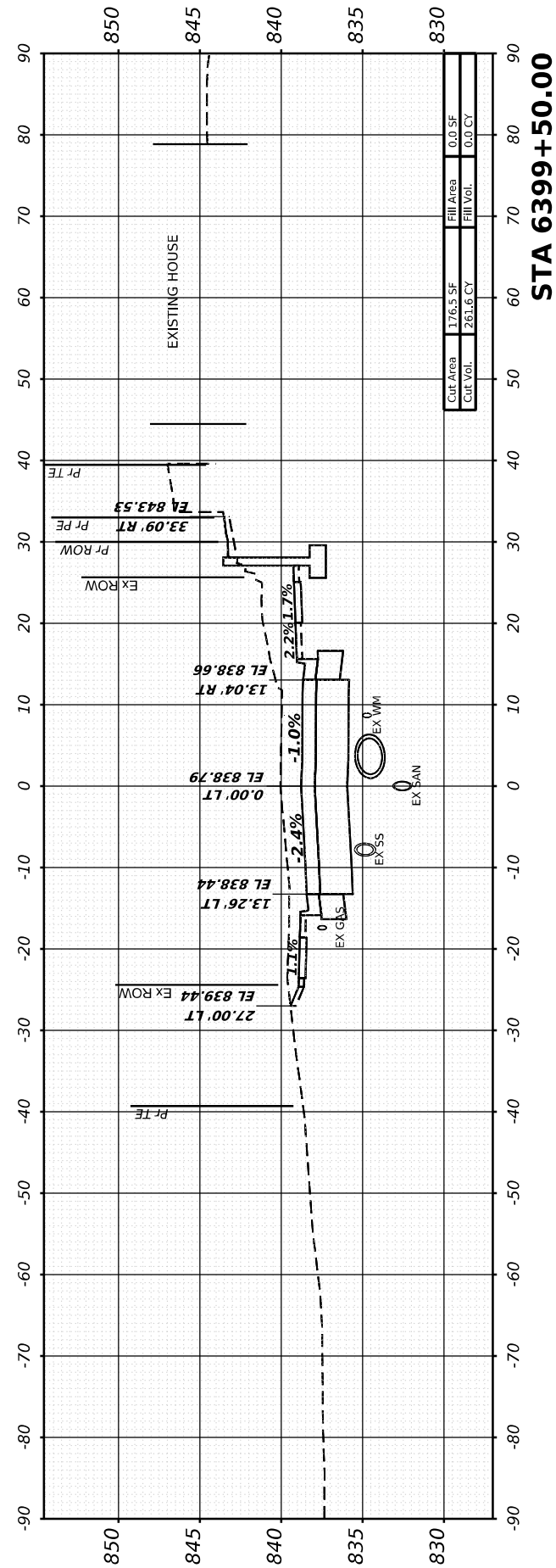
USER NAME = Marc.A.Personette	DESIGNED - PATRICK PAUSER	REVISED -
PLOT SCALE = 0.08333317' / in.	DRAWN - PATRICK PAUSER	REVISED -
PLOT DATE = 3/28/2026	CHECKED - BRAD LANGE	REVISED -
	DATE - 3/28/2026	REVISED -

**STATE OF ILLINOIS
DEPARTMENT OF TRANSPORTATION**

**CROSS SECTIONS
RICE ST (S)**

SCALE: 1" = 20' SHEET 26 OF 35 SHEETS STA.

F.A.P. RTE. 611	SECTION 104R	COUNTY HENRY	TOTAL SHEETS 426	SHEET NO. 417
CONTRACT NO. 64L94			ILLINOIS FED. AID PROJECT	



FINAL SURVEY NO.	SURVEYED PLOTTED AREAS CHECKED	BY	DATE

ORIGINAL SURVEY NO.	SURVEYED PLOTTED AREAS CHECKED	BY	DATE

MODEL: RICE_N - 100+25.10 (Sheet)
 FILE NAME: W:\20001032\00\MicroStation\CAD_Sheets\Cross-Sections\02_64194-SP-Silveroad-Rice_N.dgn



USER NAME =	Marc.A.Personette
DESIGNED -	PATRICK PAUSER
DRAWN -	PATRICK PAUSER
CHECKED -	BRAD LANGE
DATE -	3/28/2026
PLOT SCALE =	0.08333317 1/ in.
PLOT DATE =	3/28/2026

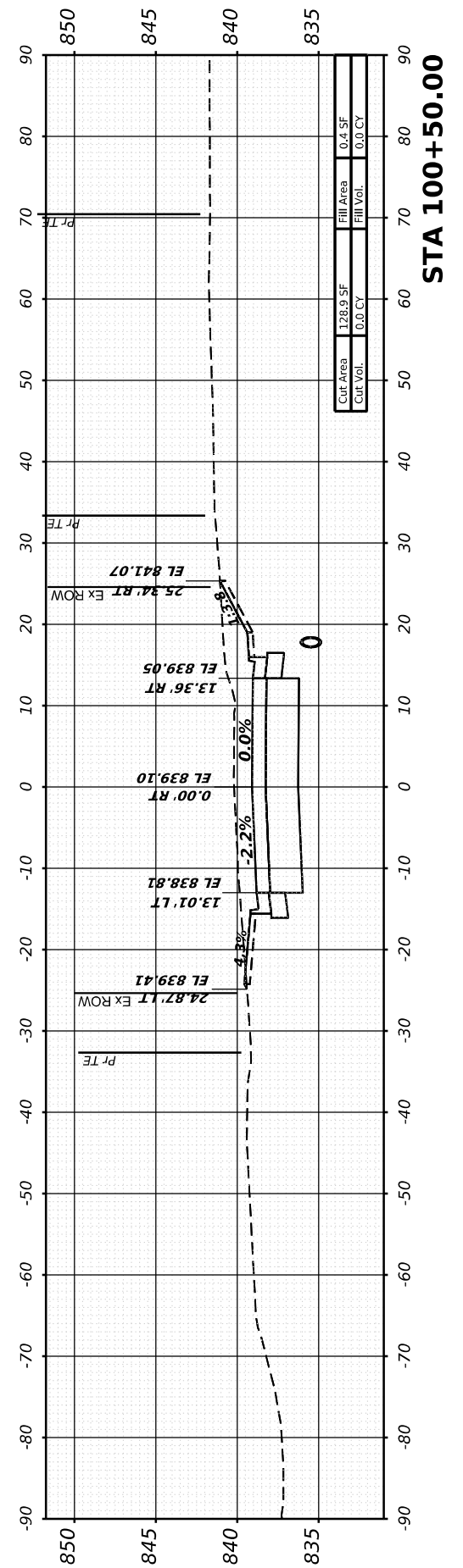
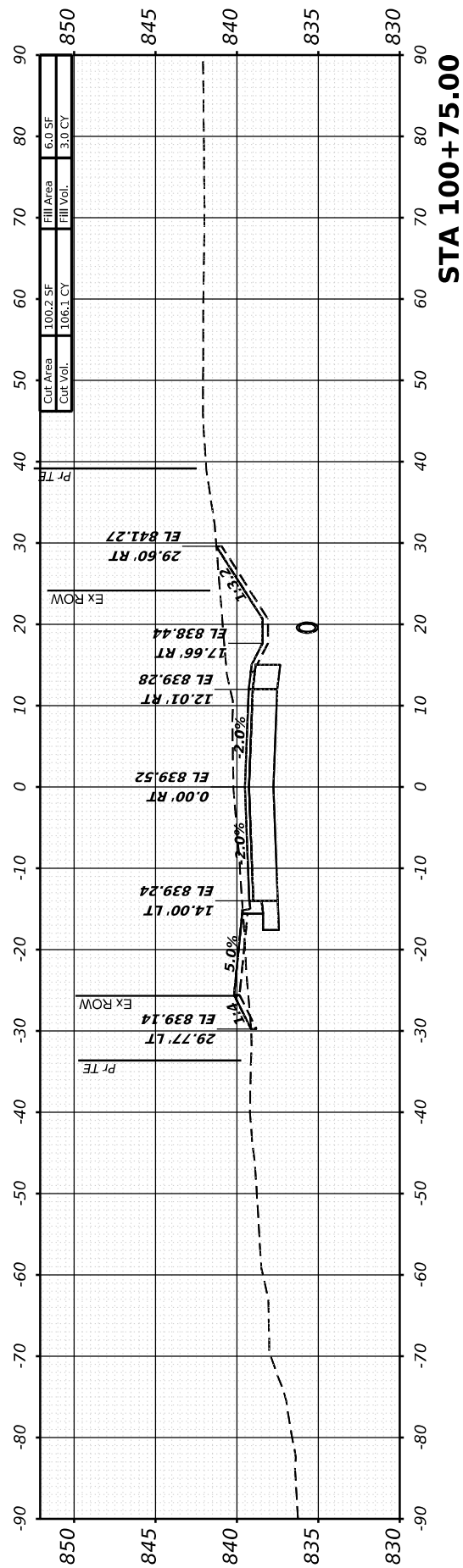
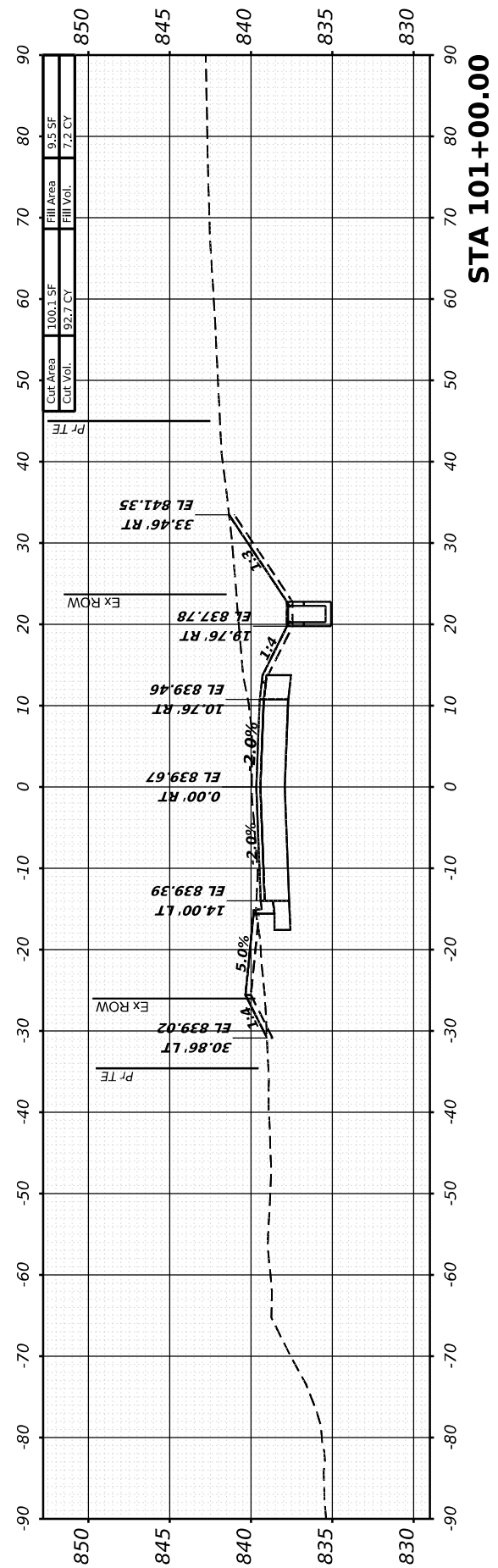
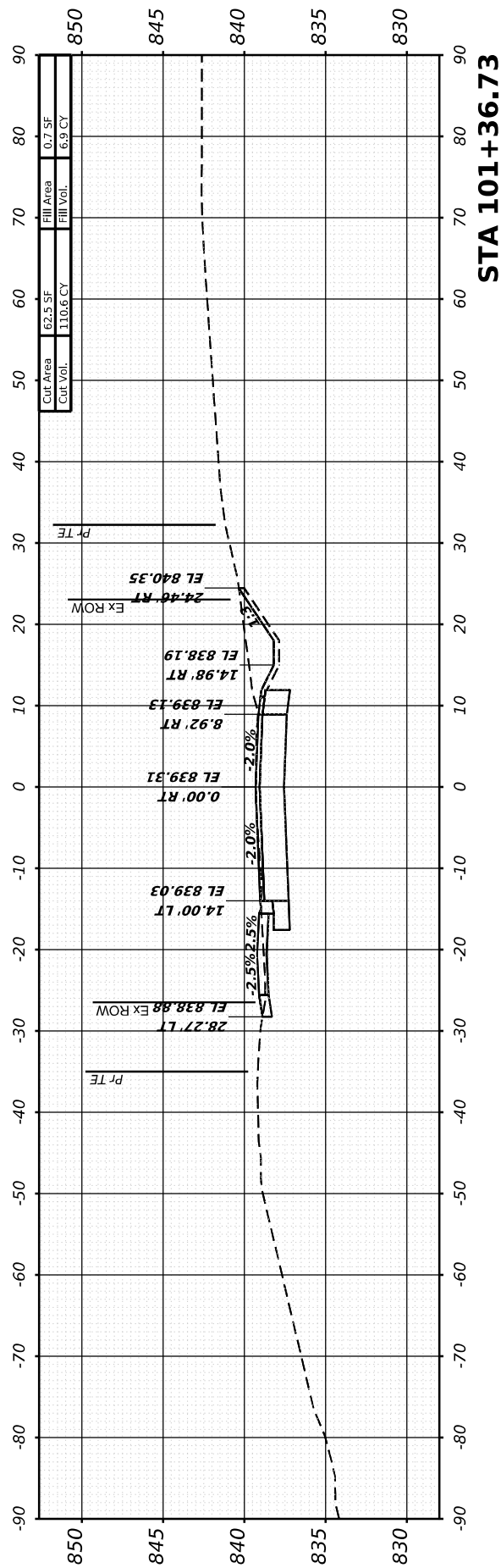
REVISED -	
REVISED -	
REVISED -	
REVISED -	

**STATE OF ILLINOIS
DEPARTMENT OF TRANSPORTATION**

**CROSS SECTIONS
RICE ST (N)**

SCALE: 1" = 20' SHEET 27 OF 35 SHEETS STA.

F.A.P. RTE.	SECTION	COUNTY	TOTAL SHEETS	SHEET NO.
611	104R	HENRY	426	418
CONTRACT NO. 64L94				
ILLINOIS FED. AID PROJECT				



FINAL SURVEY NO.	SURVEYED BY	DATE
NOTE BOOK	PLOTTED	
AREAS CHECKED	TEMPLATE	
	AREAS CHECKED	

ORIGINAL SURVEY NO.	SURVEYED BY	DATE
NOTE BOOK	PLOTTED	
AREAS CHECKED	TEMPLATE	
	AREAS CHECKED	

MODEL: RICE_N - 101+50.00 (Sheet)
 FILE NAME: W:\2000\102\00\MicroStation\CAD_Sheets\Cross-Sections\02_64L94-SPR-Silveroad-Rice_N.dgn



USER NAME =	Marc.A.Personette
DESIGNED -	PATRICK PAUSER
DRAWN -	PATRICK PAUSER
CHECKED -	BRAD LANGE
DATE -	3/28/2026

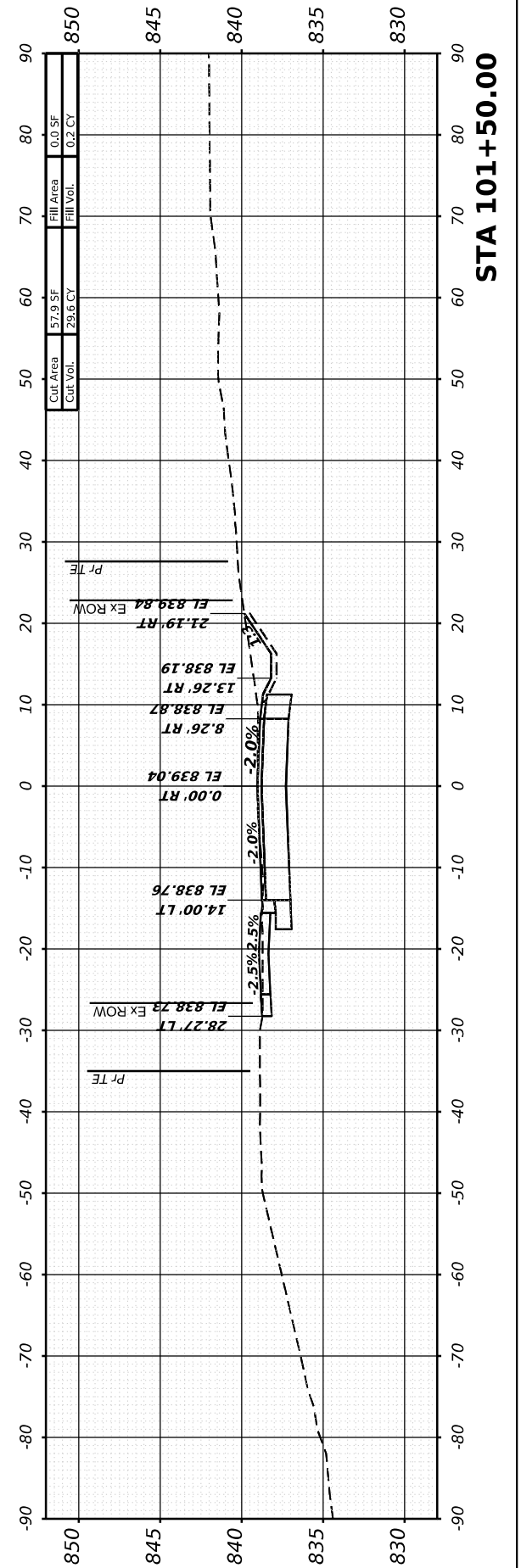
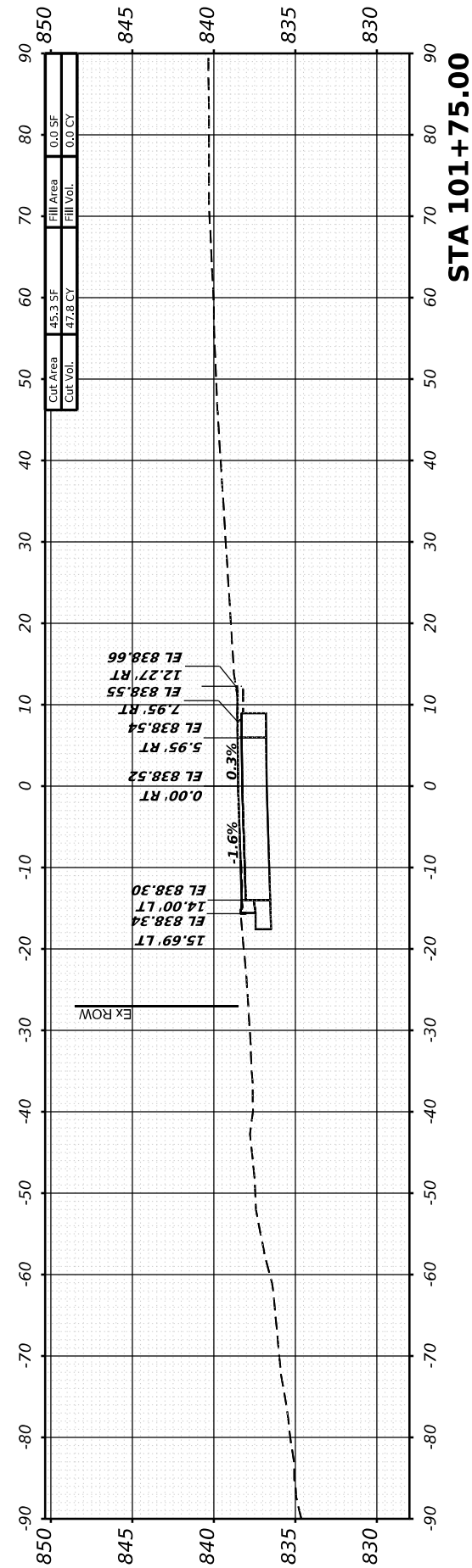
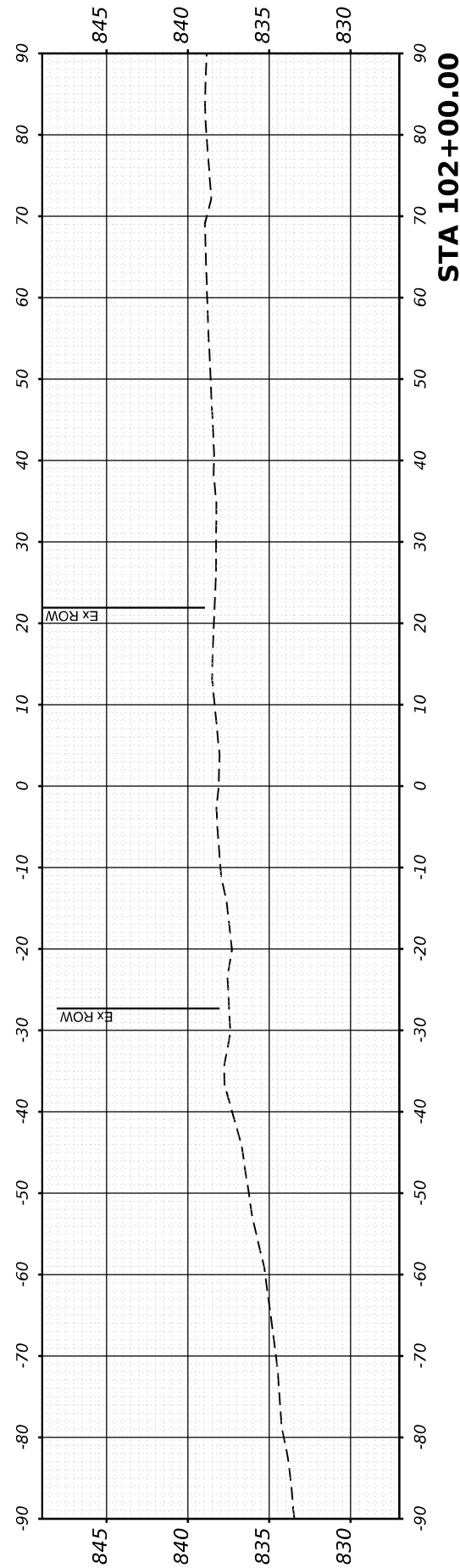
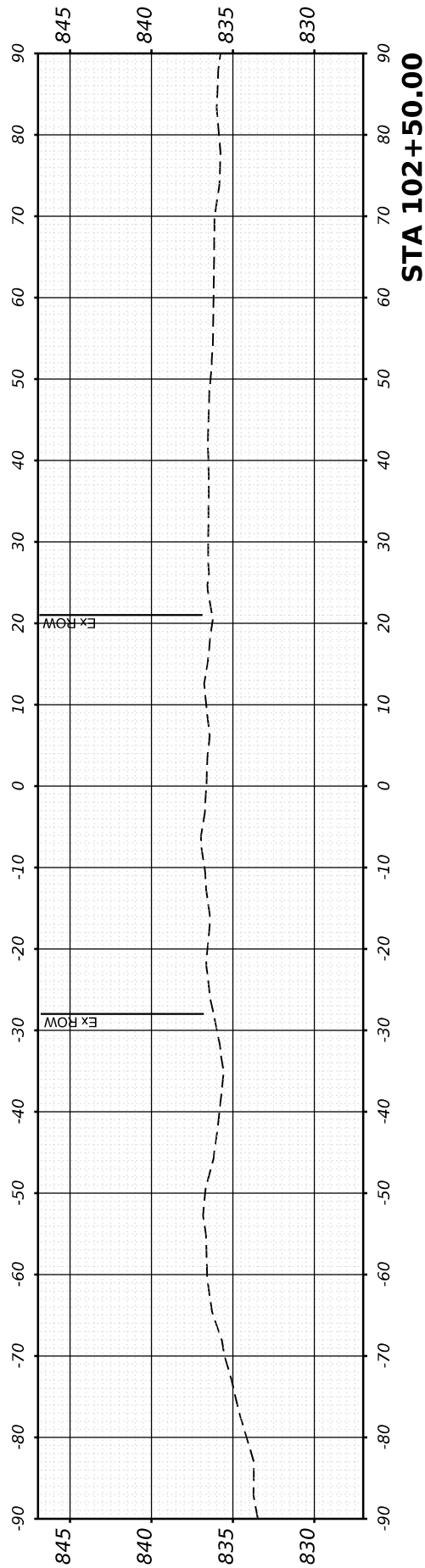
REVISOR -	
REVISION -	
REVISION -	
REVISION -	

**STATE OF ILLINOIS
 DEPARTMENT OF TRANSPORTATION**

**CROSS SECTIONS
 RICE ST (N)**

SCALE: 1" = 20' SHEET 28 OF 35 SHEETS STA.

F.A.P. RTE.	SECTION	COUNTY	TOTAL SHEETS	SHEET NO.
611	104R	HENRY	426	419
CONTRACT NO. 64L94				
ILLINOIS FED. AID PROJECT				



FINAL SURVEY	SURVEYED	BY	DATE
NOTE BOOK	PLOTTED		
NO.	TEMPLATE		
	AREAS CHECKED		
	AREAS CHECKED		

ORIGINAL SURVEY	SURVEYED	BY	DATE
NOTE BOOK	PLOTTED		
NO.	TEMPLATE		
	AREAS CHECKED		
	AREAS CHECKED		

MODEL: ROSS - 6496+50.00 (Sheet)
 FILE NAME: W:\000\03200\MicroStation\CAD_Sheets\Cross-Sections\02_6496+50-Ross.dgn



401 E. STATE ST, 4th Floor
 ROCKFORD, IL 61104
 PH: 815.965.6400
 www.imegcorp.com

USER NAME	= Marc.A.Personette
DESIGNED	- PATRICK PAUSER
DRAWN	- PATRICK PAUSER
PLLOT SCALE	= 0.083333317 1/ in.
PLLOT DATE	= 3/28/2026

DESIGNED	- PATRICK PAUSER
DRAWN	- PATRICK PAUSER
CHECKED	- BRAD LANGE
DATE	- 3/28/2026

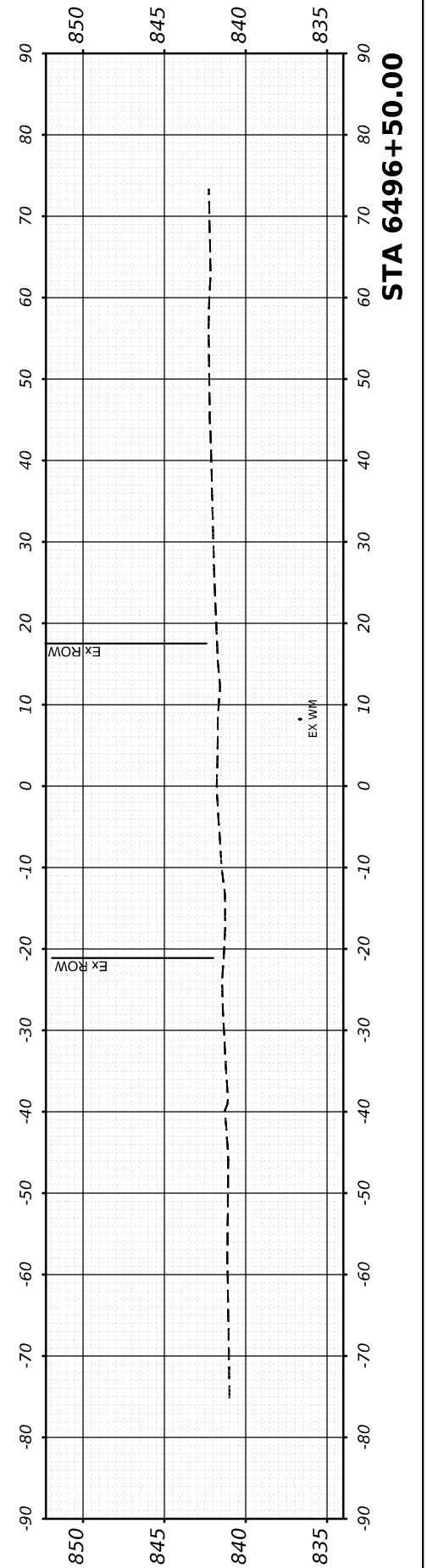
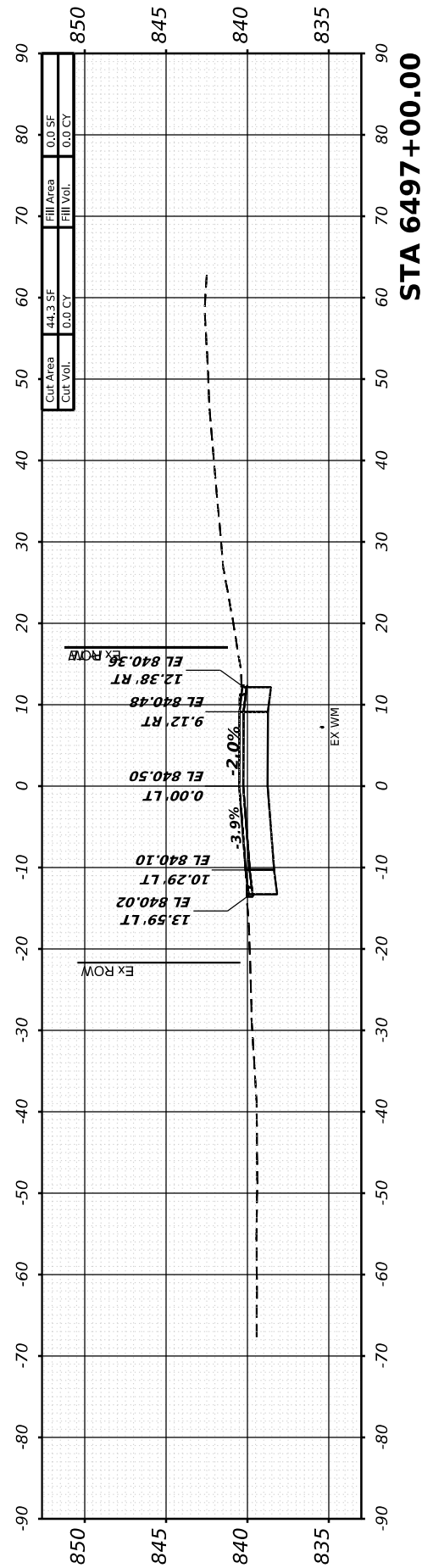
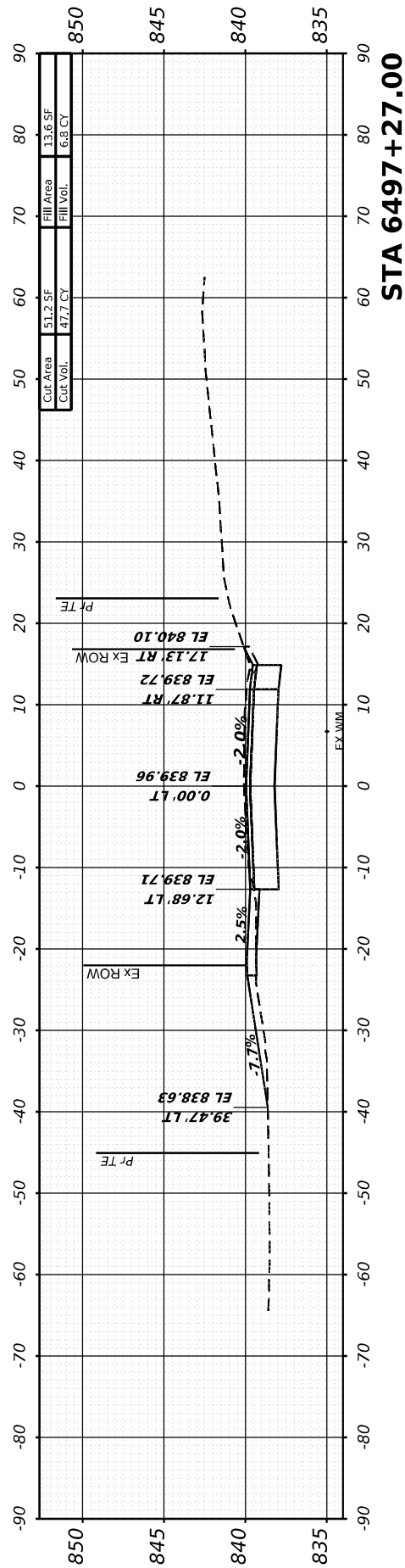
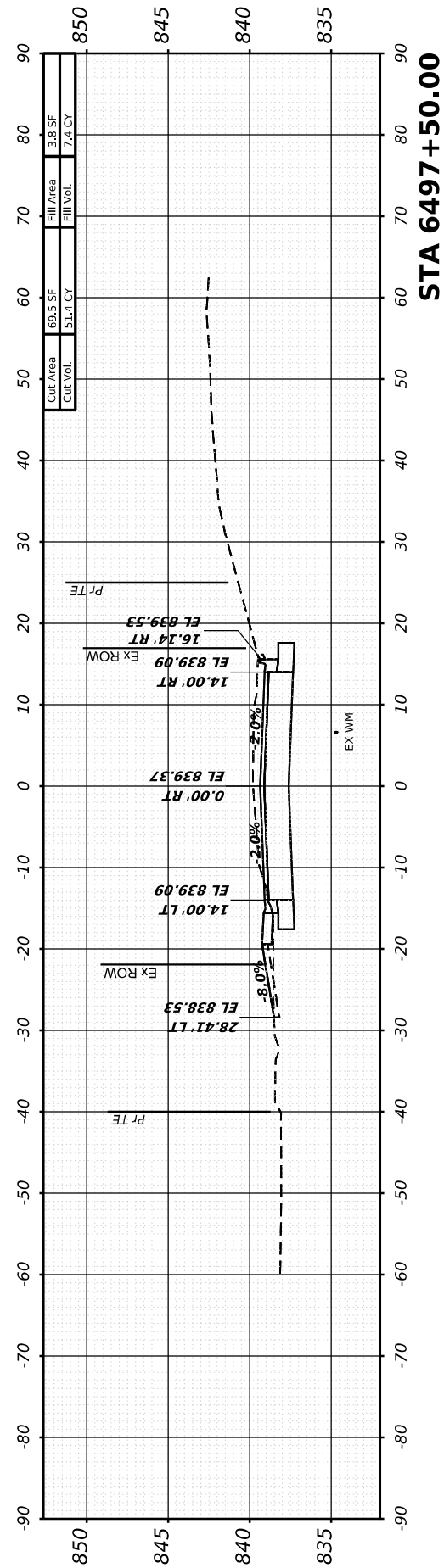
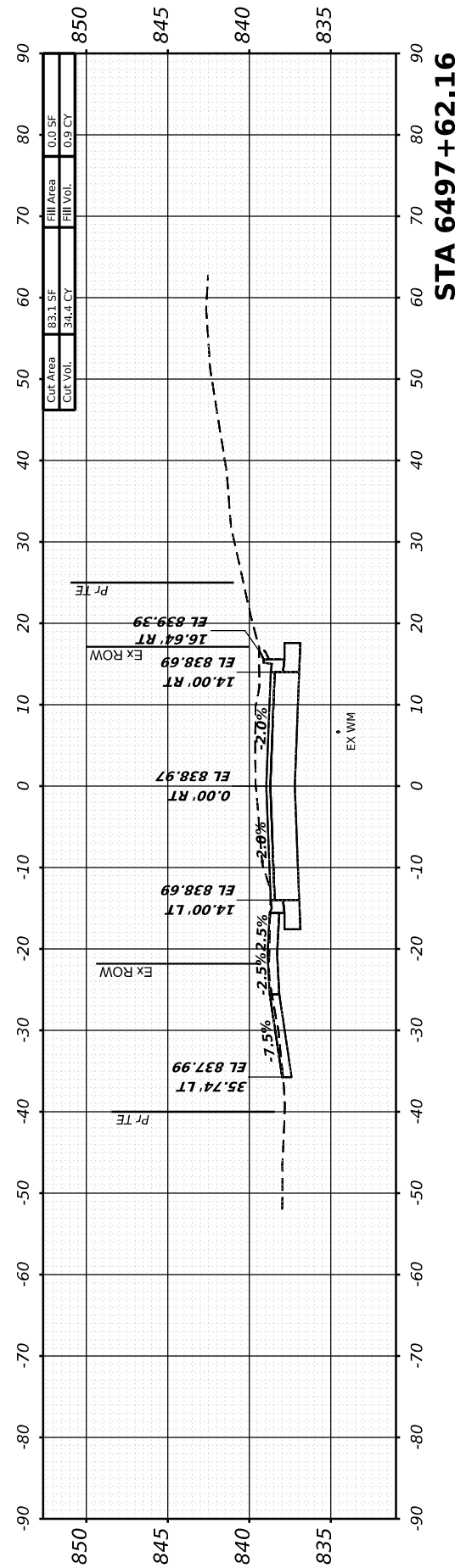
REVISED	-
REVISED	-
REVISED	-
REVISED	-

**STATE OF ILLINOIS
 DEPARTMENT OF TRANSPORTATION**

**CROSS SECTIONS
 ROSS ST**

SCALE: 1" = 20' SHEET 29 OF 35 SHEETS STA.

F.A.P. RTE.	SECTION	COUNTY	TOTAL SHEETS	SHEET NO.
611	104R	HENRY	426	420
CONTRACT NO. 64L94				
ILLINOIS FED. AID PROJECT				



FINAL SURVEY	SURVEYED	BY	DATE
NOTE BOOK	PLOTTED		
NO.	TEMPLATE		
	AREAS CHECKED		
	AREAS CHECKED		

ORIGINAL SURVEY	SURVEYED	BY	DATE
NOTE BOOK	PLOTTED		
NO.	TEMPLATE		
	AREAS CHECKED		
	AREAS CHECKED		

MODEL: ROSS - 6497+94.16 (Sheet)
 FILE NAME: W:\2000\02\200\MicroStation\CAD_Sheets\Cross-Sections\02_6497+94.16\ROSS.dgn



401 E. STATE ST, 4th Floor
 ROCKFORD, IL 61104
 PH: 815.965.6400
 WWW.IMEG.CORP.COM

USER NAME	= Marc.A.Personette
DESIGNED	- PATRICK PAUSER
DRAWN	- PATRICK PAUSER
CHECKED	- BRAD LANGE
DATE	- 3/28/2026
PLOT SCALE	= 0.083333317 1/ in.
PLOT DATE	= 3/28/2026

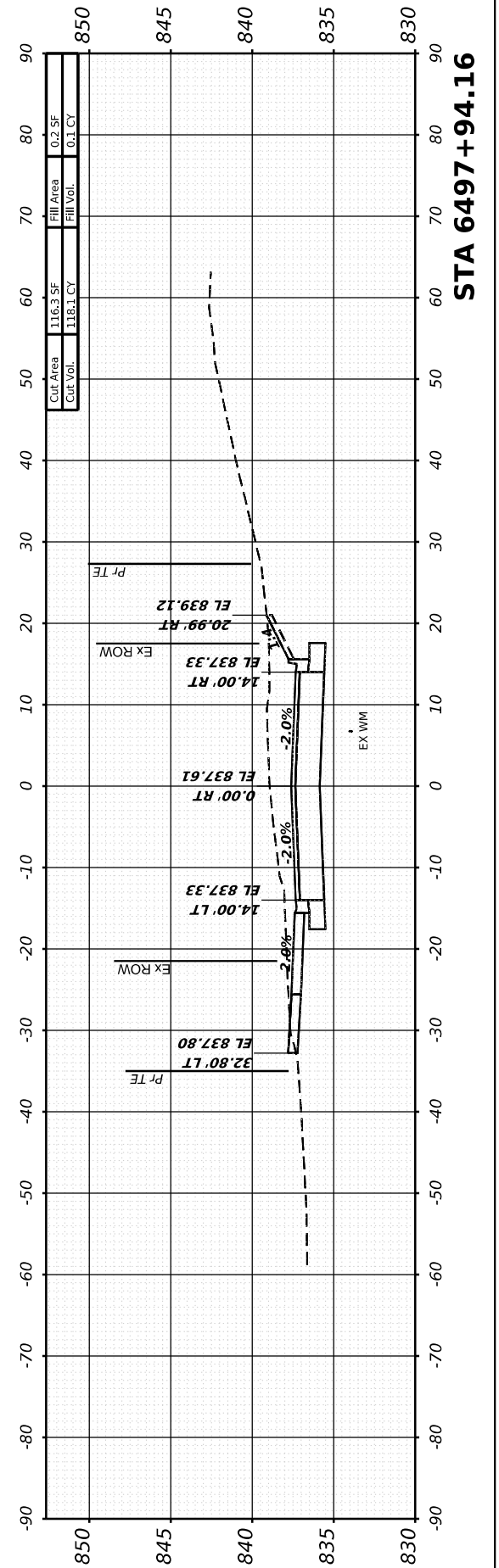
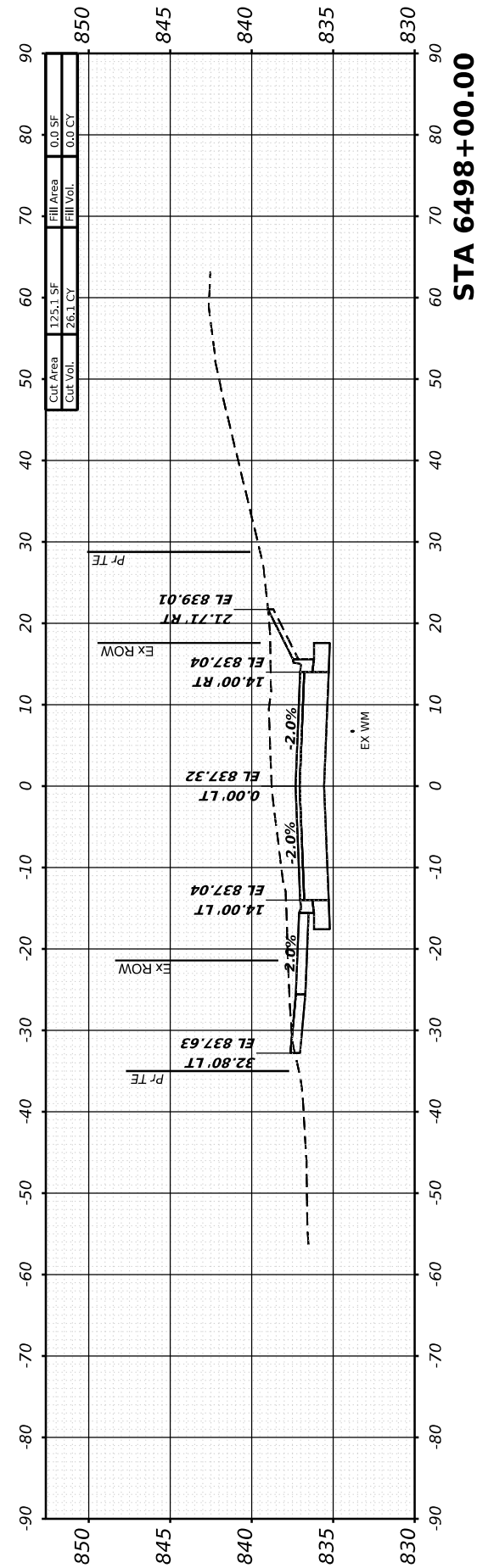
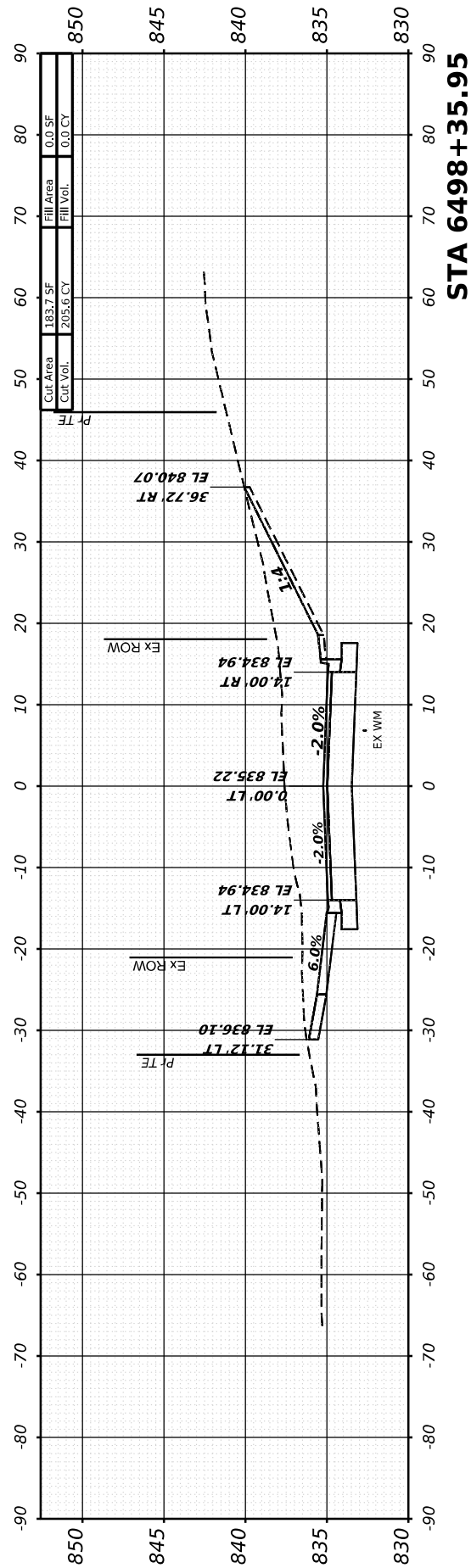
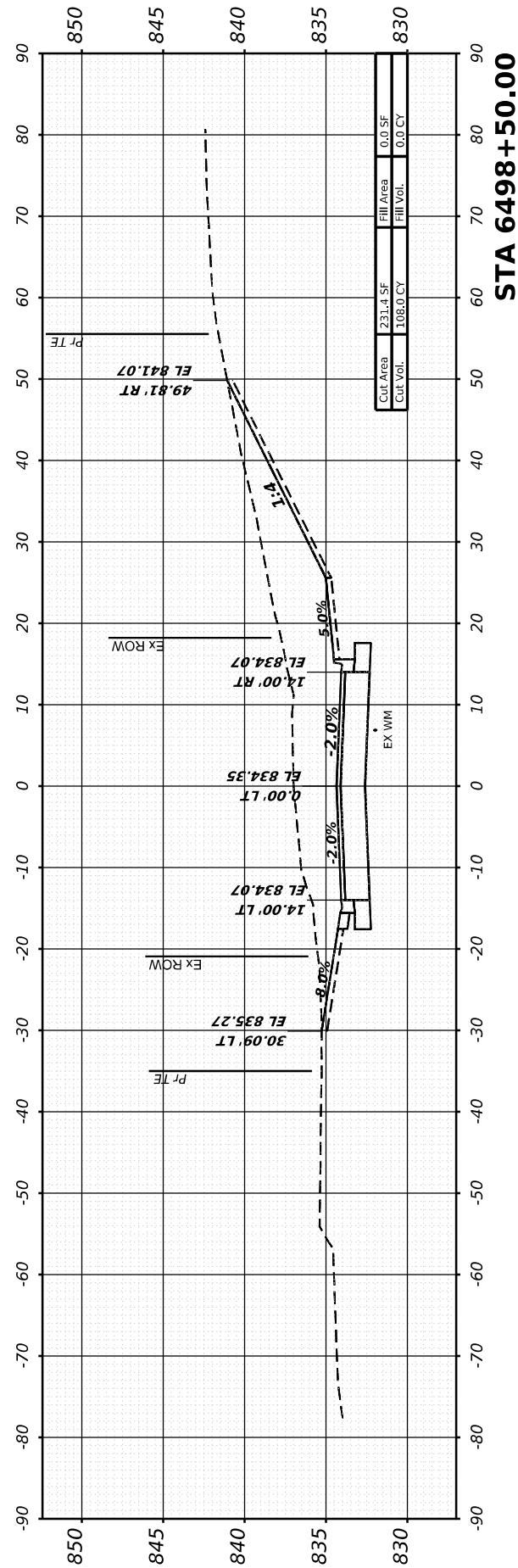
DESIGNED	- PATRICK PAUSER	REVISED	-
DRAWN	- PATRICK PAUSER	REVISED	-
CHECKED	- BRAD LANGE	REVISED	-
DATE	- 3/28/2026	REVISED	-

**STATE OF ILLINOIS
 DEPARTMENT OF TRANSPORTATION**

**CROSS SECTIONS
 ROSS ST**

SCALE: 1" = 20' SHEET 30 OF 35 SHEETS STA.

F.A.P. RTE.	SECTION	COUNTY	TOTAL SHEETS	SHEET NO.
611	104R	HENRY	426	421
CONTRACT NO. 64L94				
ILLINOIS FED. AID PROJECT				



FINAL SURVEY NO.	SURVEYED PLOTTED AREAS CHECKED	BY	DATE

ORIGINAL SURVEY NO.	SURVEYED PLOTTED AREAS CHECKED	BY	DATE

MODEL: ROSS - 6498+76.41 (Sheet)
 FILE NAME: W:\2000\03200\MicroStation\CAD_Sheets\Cross-Sections\02_6498+76.41-SS-Plan-Ross.dgn



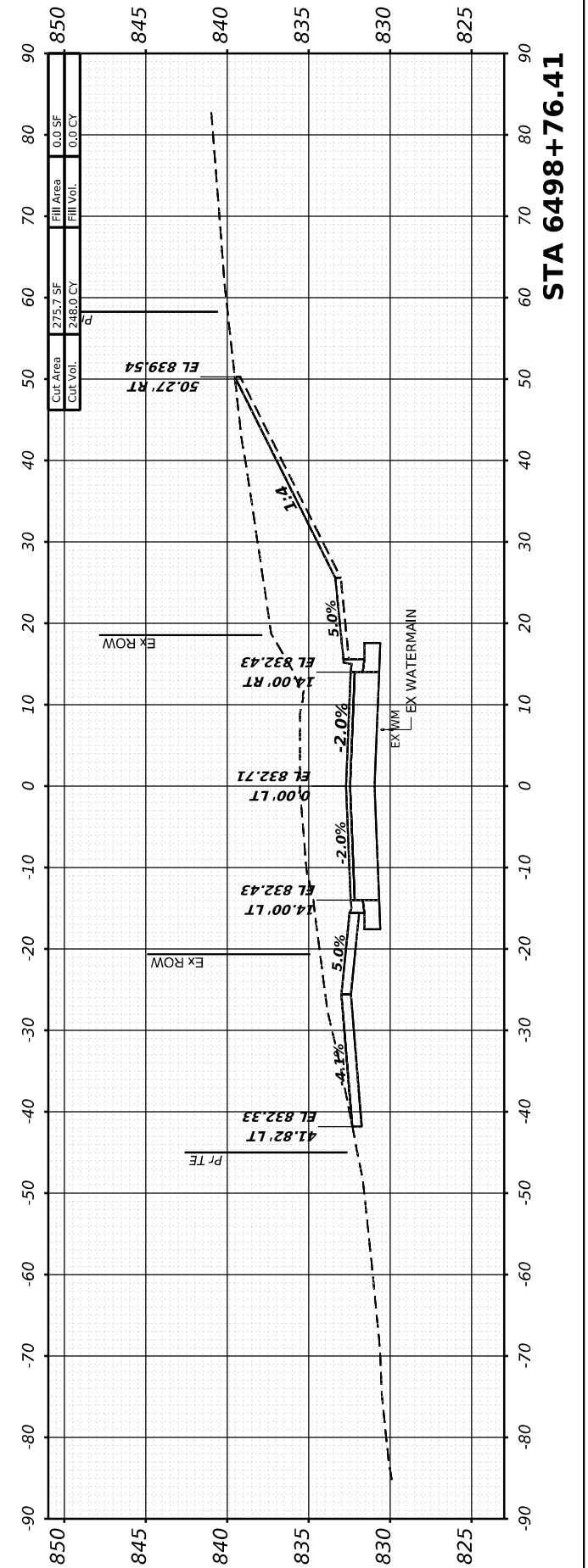
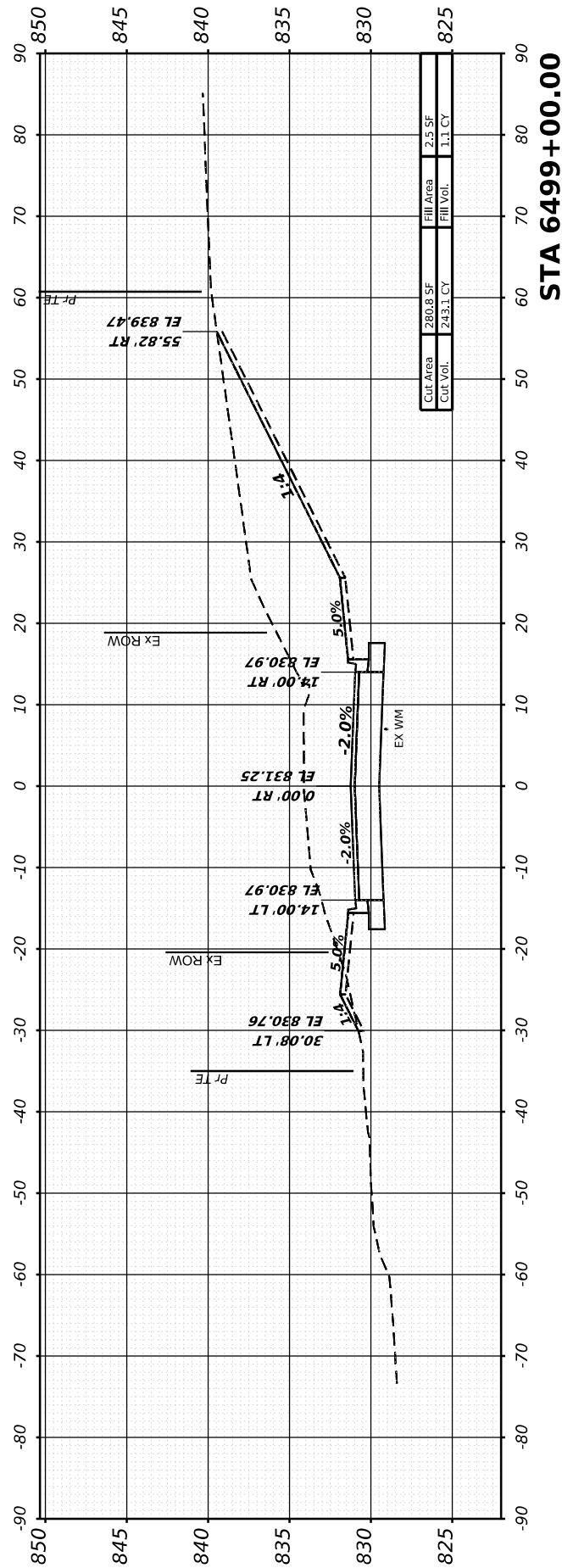
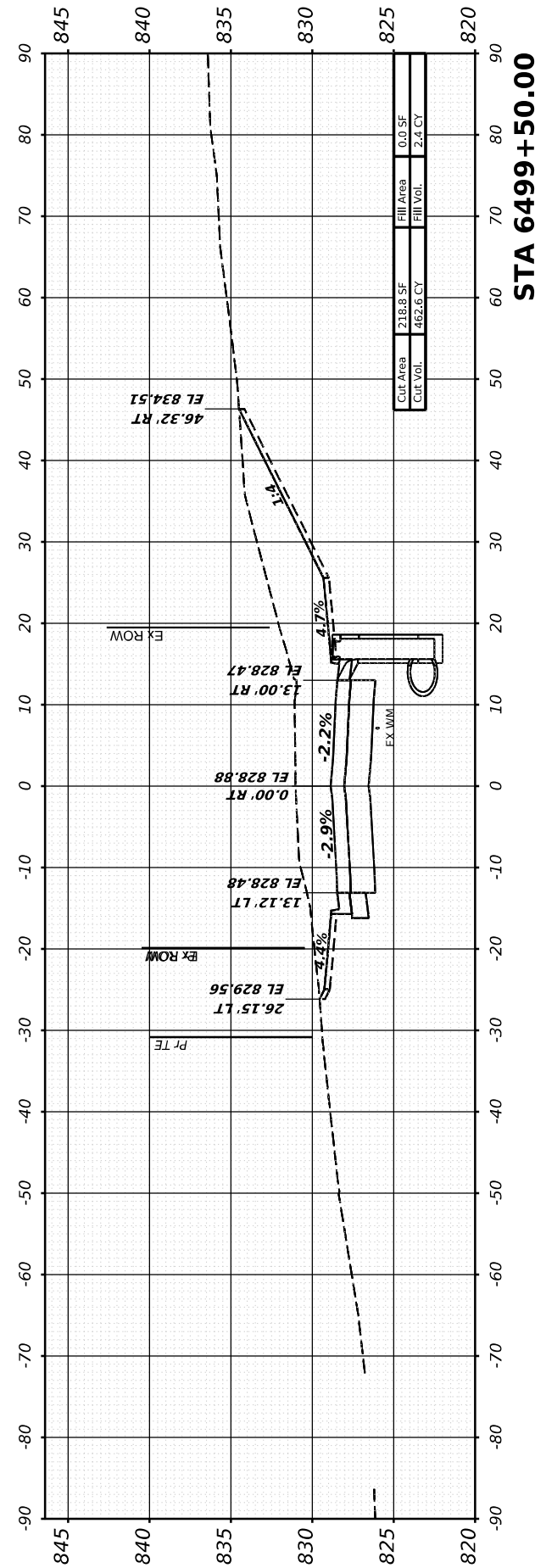
USER NAME = Marc.A.Personette	DESIGNED - PATRICK PAUSER	REVISED -
PLOT SCALE = 0.08333317 ' / in.	DRAWN - PATRICK PAUSER	REVISED -
PLOT DATE = 3/28/2026	CHECKED - BRAD LANGE	REVISED -
	DATE - 3/28/2026	REVISED -

**STATE OF ILLINOIS
DEPARTMENT OF TRANSPORTATION**

**CROSS SECTIONS
ROSS ST**

SCALE: 1" = 20' SHEET 31 OF 35 SHEETS STA.

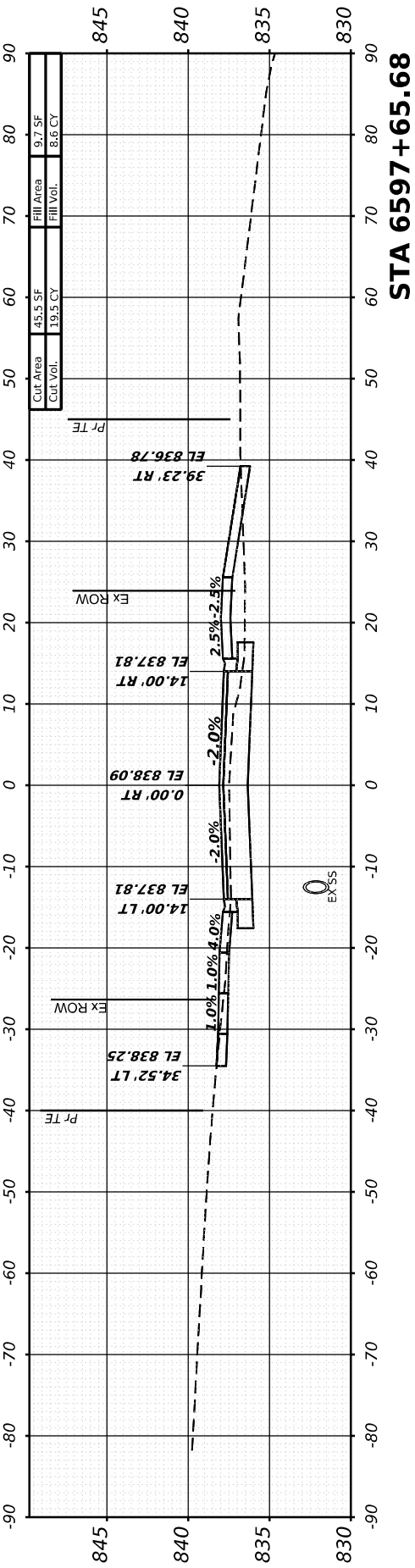
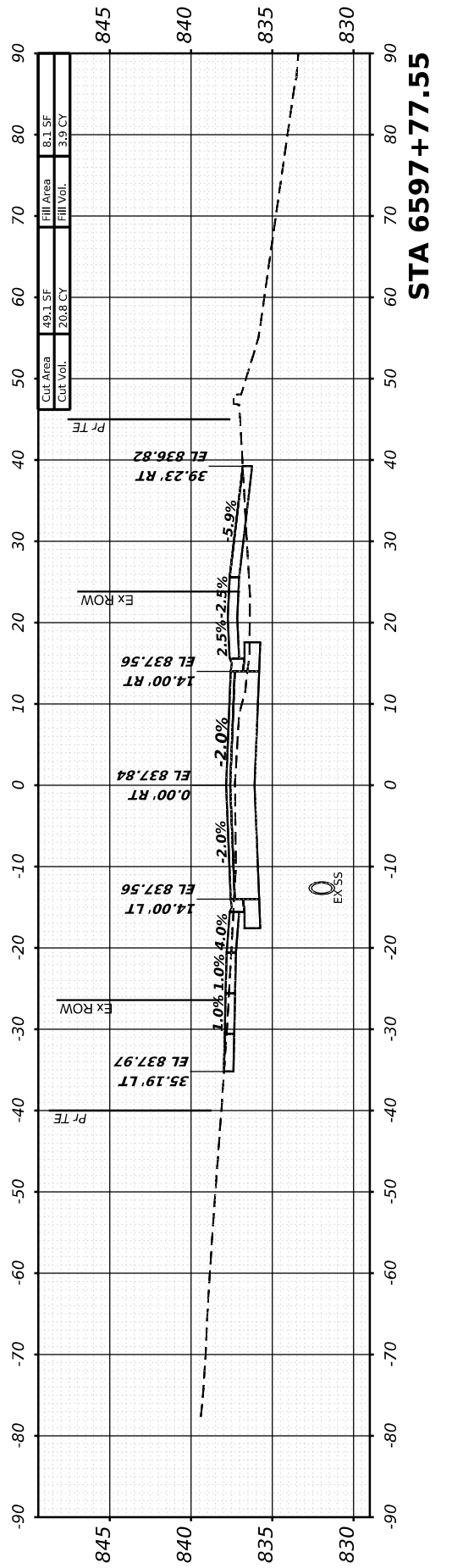
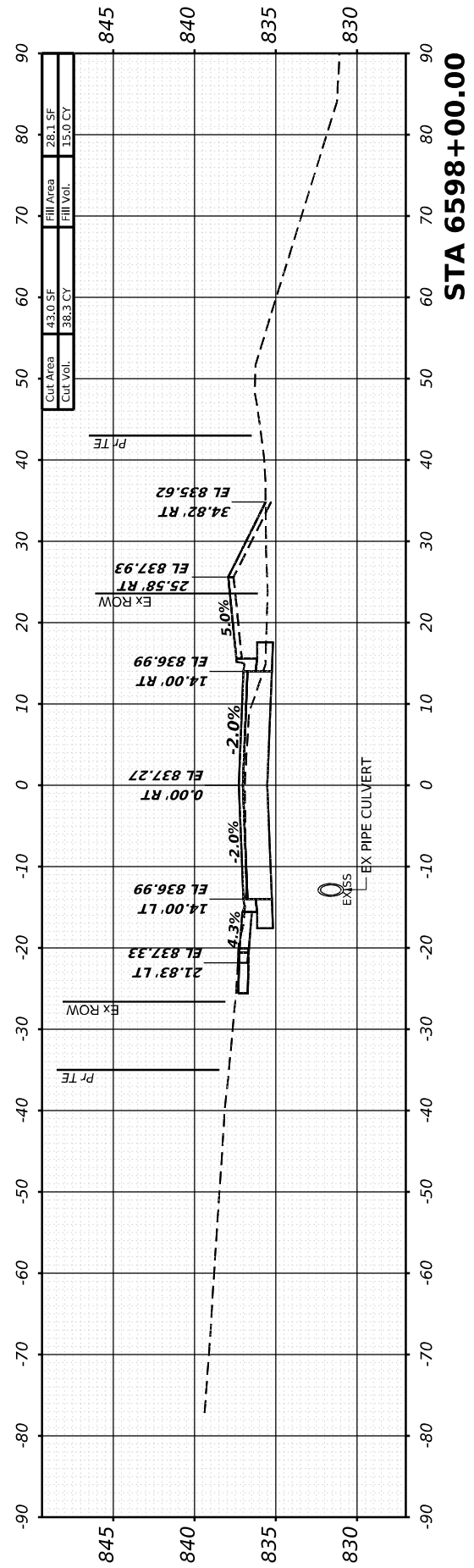
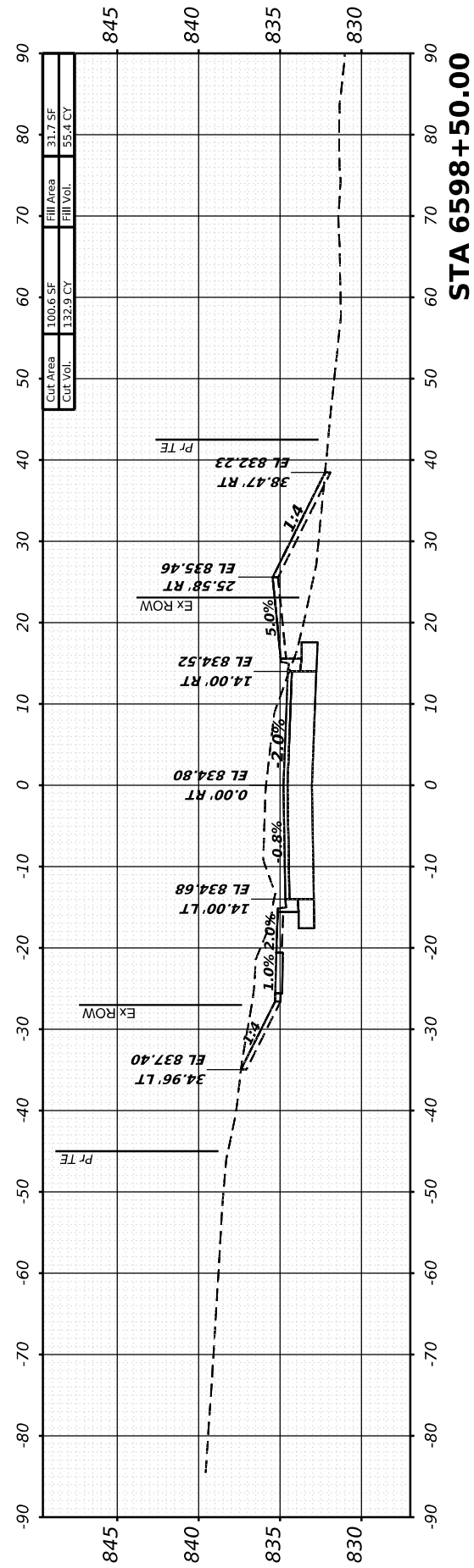
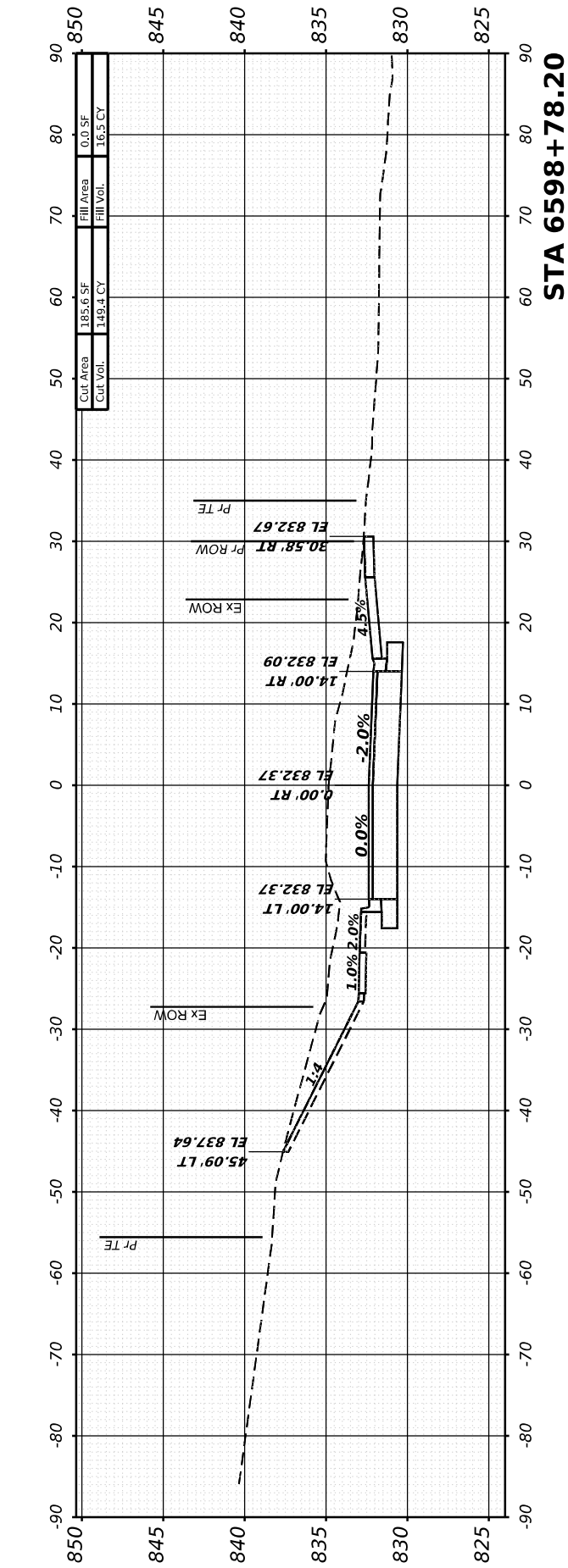
F.A.P. RTE. 611	SECTION 104R	COUNTY HENRY	TOTAL SHEETS 426	SHEET NO. 422
CONTRACT NO. 64L94			ILLINOIS FED. AID PROJECT	



FINAL SURVEY	SURVEYED	BY	DATE
NOTE BOOK	PLOTTED		
NO.	TEMPLATE		
	AREAS CHECKED		
	AREAS CHECKED		

ORIGINAL SURVEY	SURVEYED	BY	DATE
NOTE BOOK	PLOTTED		
NO.	TEMPLATE		
	AREAS CHECKED		
	AREAS CHECKED		

MODEL: GROVE - 6597+65.68 (Sheet)
 FILE NAME: W:\00010320\InfoStation\CAD_Sheets\Cross-Sections\02_64L94-SP-Siberia-Genv.cad



USER NAME	= Marc.A.Personette
DESIGNED	- PATRICK PAUSER
DRAWN	- PATRICK PAUSER
PLLOT SCALE	= 0.083333317 ' / in.
PLLOT DATE	= 3/28/2026

CHECKED	- BRAD LANGE
DATE	- 3/28/2026

REVISED	-
REVISED	-
REVISED	-
REVISED	-

**STATE OF ILLINOIS
DEPARTMENT OF TRANSPORTATION**

**CROSS SECTIONS
N. GROVE ST**

SCALE: 1" = 20' SHEET 33 OF 35 SHEETS STA.

F.A.P. RTE.	SECTION	COUNTY	TOTAL SHEETS	SHEET NO.
611	104R	HENRY	426	424
CONTRACT NO. 64L94				

ILLINOIS FED. AID PROJECT

FINAL SURVEY NO.	SURVEYED PLOTTED AREAS CHECKED	BY	DATE

ORIGINAL SURVEY NO.	SURVEYED PLOTTED AREAS CHECKED	BY	DATE

MODEL GROVE - 6599+00.00 (Sheet)
 FILE NAME: W:\2000\02\200\microStation\CAD_Sheets\Cross-Sections\02_64L94-SP-SIBerap-Grwv.cad



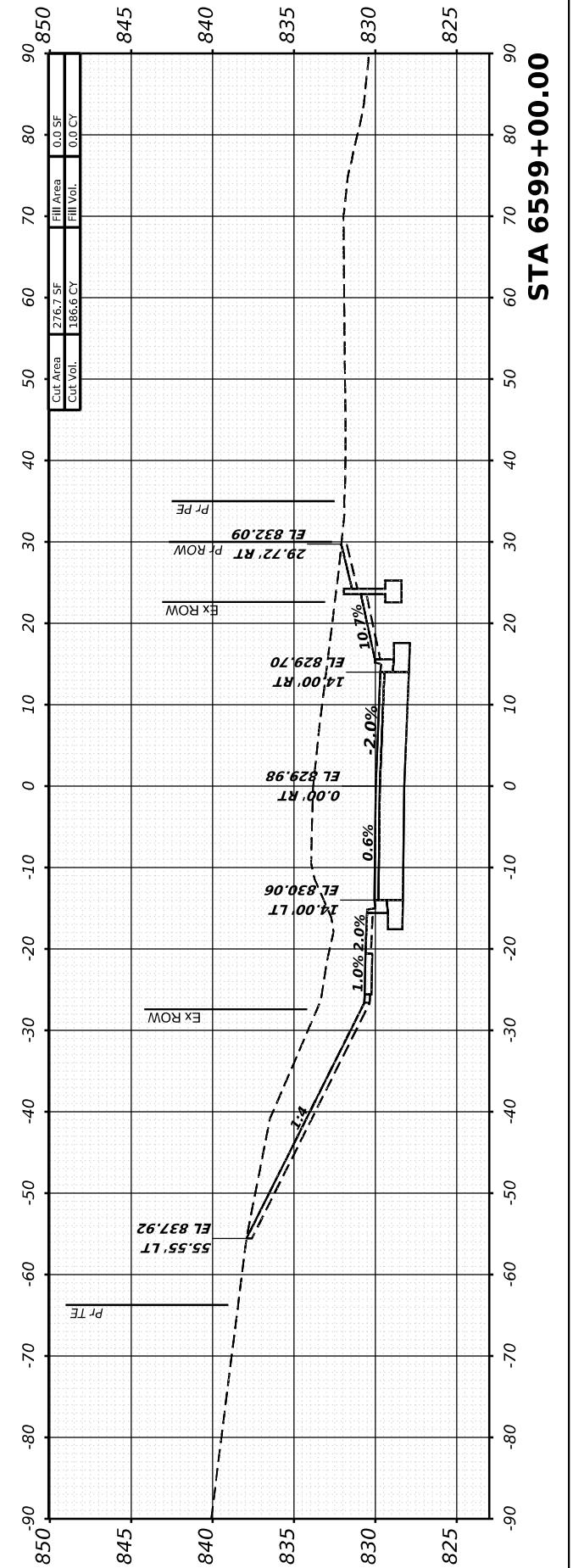
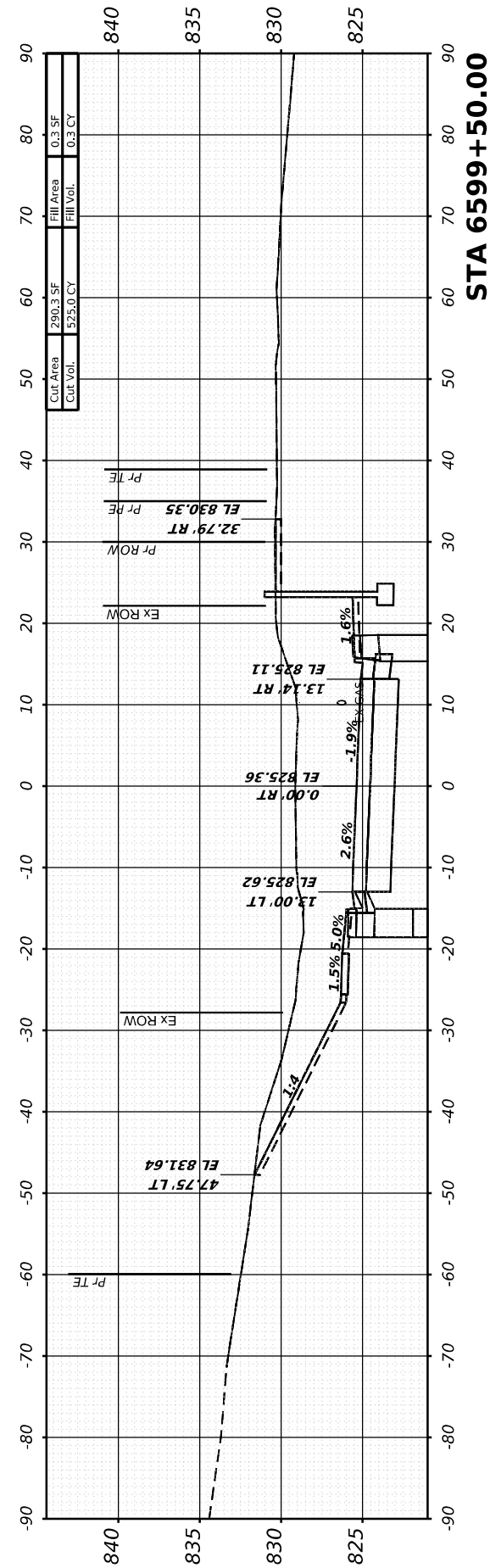
USER NAME = Marc.A.Personette	DESIGNED - PATRICK PAUSER	REVISED -
PLOT SCALE = 0.08333331 1/1 in.	DRAWN - PATRICK PAUSER	REVISED -
PLOT DATE = 3/28/2026	CHECKED - BRAD LANGE	REVISED -
	DATE - 3/28/2026	REVISED -

**STATE OF ILLINOIS
 DEPARTMENT OF TRANSPORTATION**

**CROSS SECTIONS
 N. GROVE ST**

SCALE: 1" = 20' SHEET 34 OF 35 SHEETS STA.

F.A.P. RTE. 611	SECTION 104R	COUNTY HENRY	TOTAL SHEETS 426	SHEET NO. 425
CONTRACT NO. 64L94			ILLINOIS FED. AID PROJECT	



FINAL SURVEY	SURVEYED	BY	DATE
NOTE BOOK	PLOTTED		
NO.	TEMPLATE		
	AREAS CHECKED		
	AREAS CHECKED		

ORIGINAL SURVEY	SURVEYED	BY	DATE
NOTE BOOK	PLOTTED		
NO.	TEMPLATE		
	AREAS CHECKED		
	AREAS CHECKED		

MODEL: COTTAGE - 6699+14.00 (Sheet)
 FILE NAME: W:\2000\02\00\microstation\CAD_Sheets\Cross-Sections\02_64L94-SPR-Silveroad-Cottage.dgn



USER NAME	= Marc.A.Personette
DESIGNED	- PATRICK PAUSER
DRAWN	- PATRICK PAUSER
CHECKED	- BRAD LANGE
DATE	- 3/29/2026
REVISIONS	
REVISED	-
REVISED	-
REVISED	-
REVISED	-

**STATE OF ILLINOIS
 DEPARTMENT OF TRANSPORTATION**

**CROSS SECTIONS
 COTTAGE ST**

SCALE: 1" = 20' SHEET 35 OF 35 SHEETS STA.

F.A.P. RTE.	SECTION	COUNTY	TOTAL SHEETS	SHEET NO.
611	104R	HENRY	426	426
CONTRACT NO. 64L94				
ILLINOIS FED. AID PROJECT				

