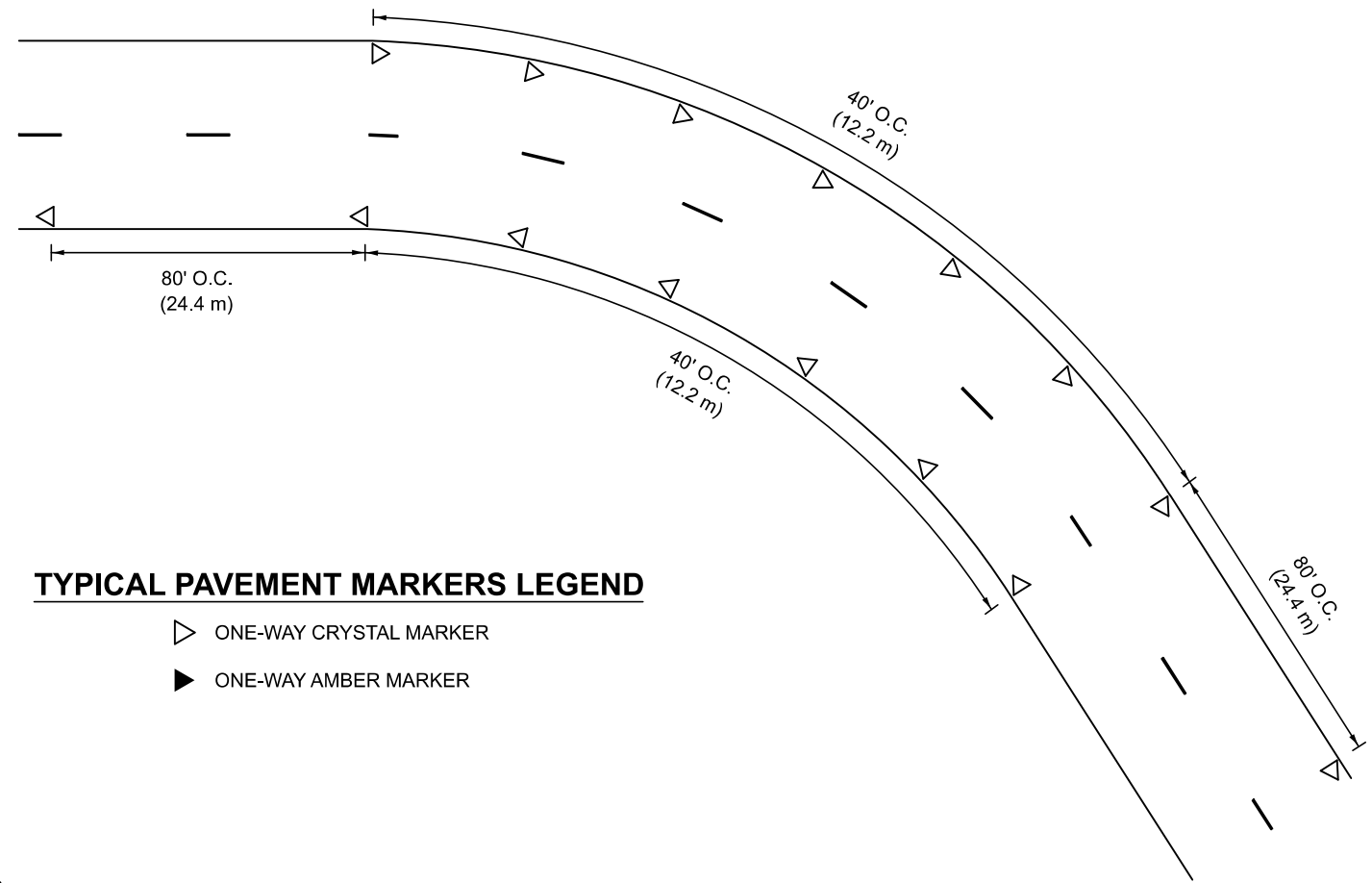


## DETAIL FOR RAISED REFLECTIVE PAVEMENT MARKERS ON HORIZONTAL CURVES

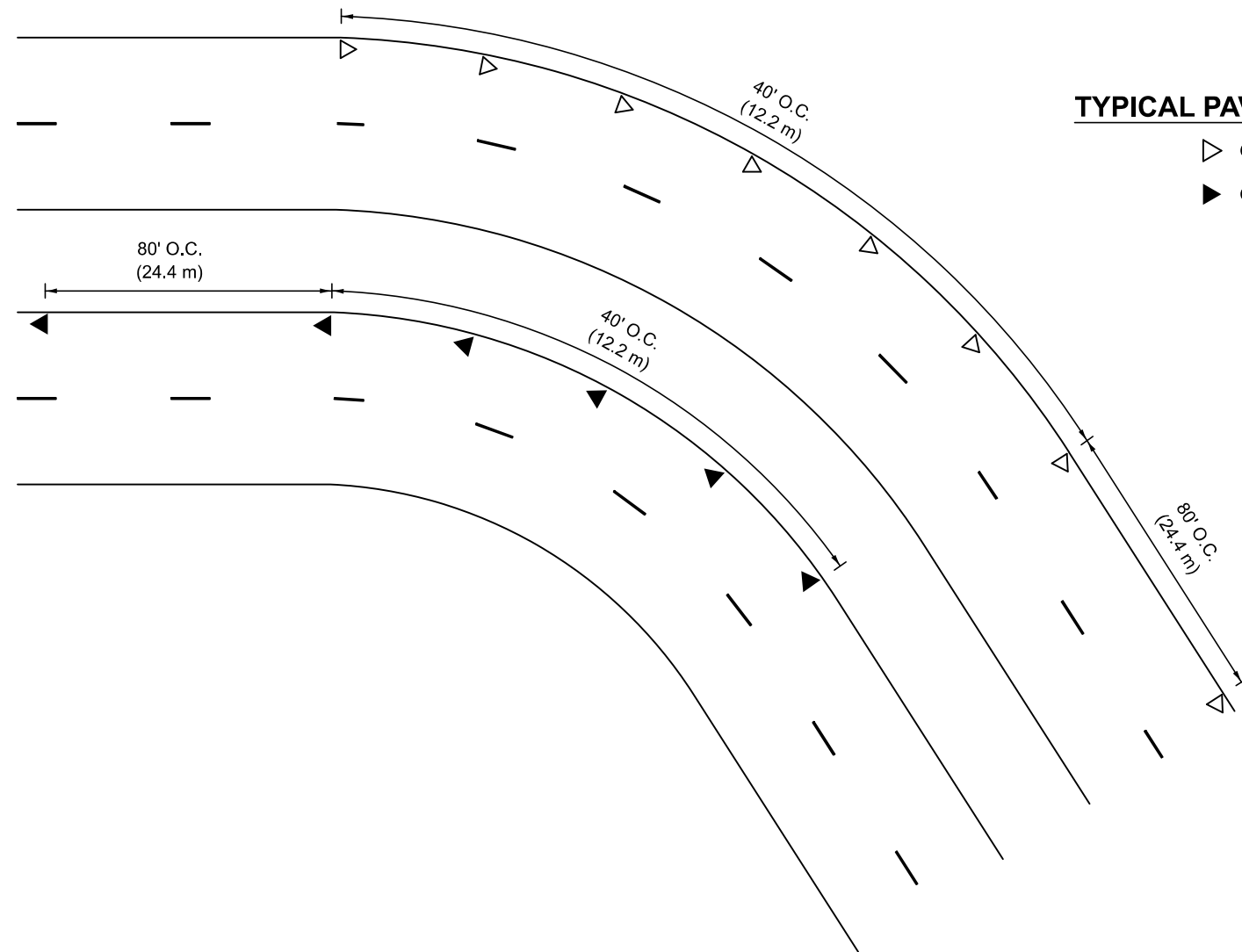
**NOTE:**  
SEE SCHEDULES FOR LOCATIONS OF  
RAISED REFLECTIVE PAVEMENT MARKERS  
ON HORIZONTAL CURVES.

RAISED REFLECTIVE PAVEMENT MARKER  
SHALL BE OFFSET 4" FROM PAVEMENT MARKING.

### TWO LANE / TWO WAY

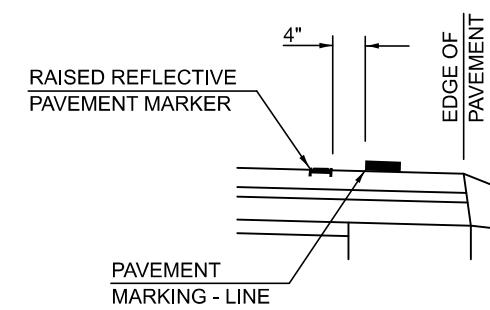


### MULTI-LANE



### TYPICAL PAVEMENT MARKERS LEGEND

- ▷ ONE-WAY CRYSTAL MARKER
- ▶ ONE-WAY AMBER MARKER



MODEL: SHT\_PLAN  
FILE NAME: C:\Bentley\CONNECT\10110\Organization\ChilIDOT\_Standards\ChilIDOT\_Sheets.dwg

USER NAME = Eric.Thomas	DESIGNED - JWS	REVISED -
	DRAWN - JDC	REVISED -
PLOT SCALE = \$\$SCALE\$	CHECKED -	REVISED -
PLOT DATE = 12/7/2022	DATE - 04/17/2023	REVISED -

**STATE OF ILLINOIS  
DEPARTMENT OF TRANSPORTATION**

**RAISED REFLECTIVE PAVEMENT  
MARKERS ON HORIZONTAL CURVES**

SCALE: SHEET 1 OF 1 SHEETS STA. TO STA.

**DISTRICT 5 DETAIL NO. 7810AAAA**

F.A. RTE.	SECTION	COUNTY	TOTAL SHEETS	SHEET NO.
CONTRACT NO.				
ILLINOIS FED. AID PROJECT				