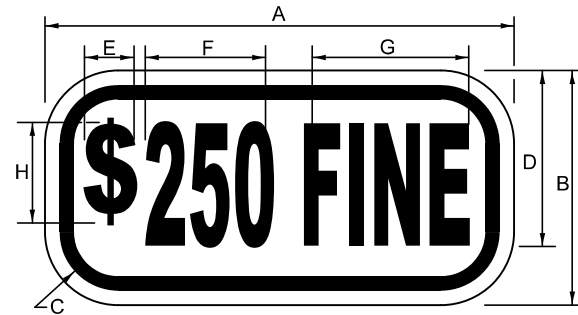


**SIGN R7-I 101**

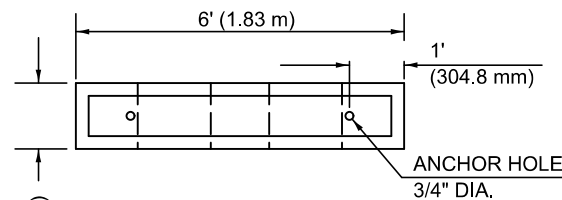


COLOR: LEGEND AND BORDER BACKGROUND GREEN NON-REFLECTORIZED WHITE REFLECTORIZED

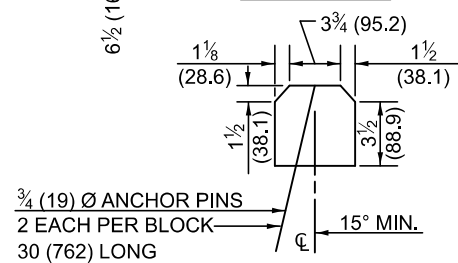
SIGN SIZE	DIMENSIONS							
	A	B	C	D	E	F	G	H
6 x 12 (152.4 x 304.8)	12 (304.8)	6 (152.4)	1.5 (38.1)	4.5 (114.3)	1.15 (29.2)	3.4 (86.4)	4.6 (116.8)	4.0 (101.6)

SIGN SIZE	SERIES Lines	Margin	Border	BLK Std
6 x 12 (152.4 x 304.8)	1/3A	0.37 (9.5)	0.37 (9.5)	B5-126

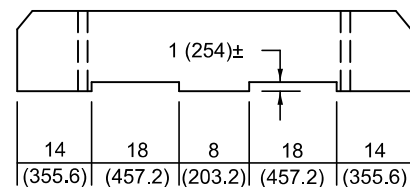
To be used with R7-8  
\* \$ = SERIES 3A "S"



**PLAN VIEW**



**END VIEW**



**ELEVATION VIEW**

NOTE: NOMINAL DIMENSIONS OF BLOCKS MAY VARY  
CLASS P.C. CONCRETE SHALL BE USED THROUGHOUT.

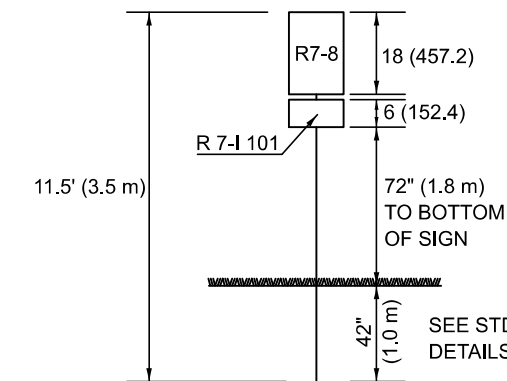
**BUMPER BLOCK DETAIL**

**SIGN R7-8**



ARROW  
(USE ARROW AT  
LOCATIONS WHERE  
THERE ARE TWO  
HANDICAP SPOTS  
NEXT TO EACH OTHER.)

**COLORS**  
LEGEND AND BORDER - GREEN  
WHITE SYMBOL ON BLUE BACKGROUND  
BACKGROUND - WHITE

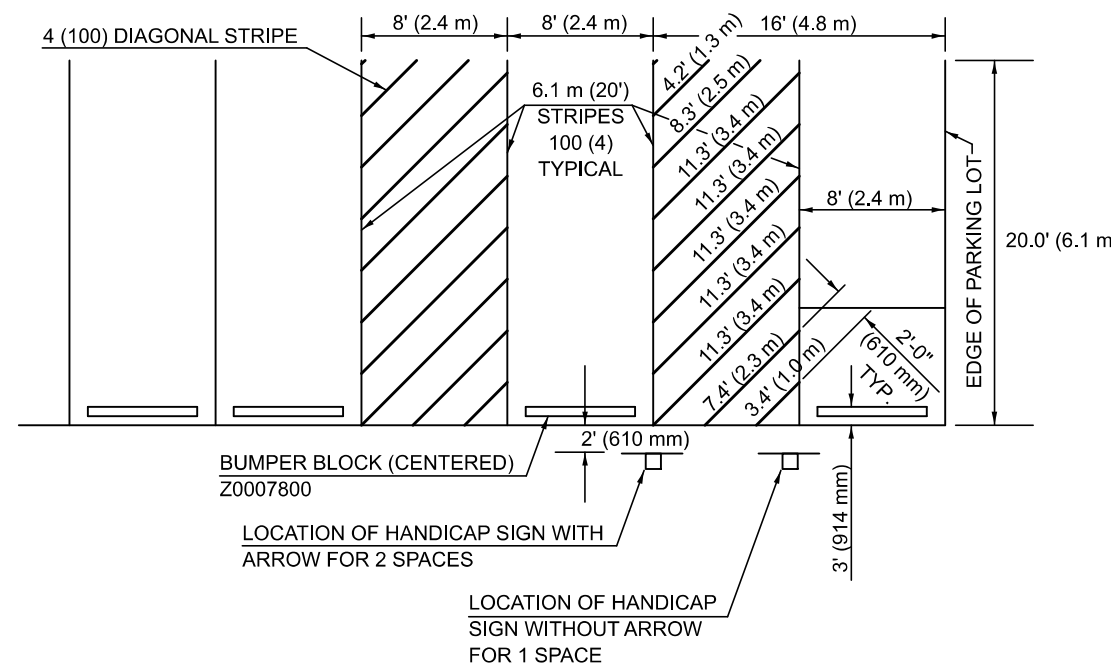


**ESTIMATED QUANTITY**

72900110 METAL POST - TYPE A = 11.5' (3.5 m)	
72000100 SIGN PANEL R 7-I 101	0.5 SQ.FT. (.046 m <sup>2</sup> )
72000100 SIGN PANEL R 7-8	1.5 SQ.FT. (.139 m <sup>2</sup> )
<b>TOTAL</b>	<b>= 2.0 SQ.FT. (.185 m<sup>2</sup>)</b>

SEE STD. 720011 & 729001 FOR  
DETAILS OF METAL POST, TYPE A

**SIGN POST DETAILS**



THIS DRAWING HAS NO SCALE.

ESTIMATED QUANTITY OF PAVEMENT  
MARKING-LINE 4" (100 mm) (FOR 1 SPACE)  
TOTAL DIAGONALS = 80' (24.4 m)

SEE DETAIL FOR HANDICAP SIGN.

**DETAIL OF PARKING SPACES**

Note: All dimensions are in INCHES  
(millimeters) unless otherwise shown.

**DISTRICT 5 DETAIL NO. 72000100**

USER NAME = Bridgette.Pierson	DESIGNED -	REVISED - 11/06
	DRAWN -	REVISED - 12/27/17 JWS
PLOT SCALE = 0.16666633' / in.	CHECKED -	REVISED -
PLOT DATE = 4/26/2024	DATE -	REVISED -

**STATE OF ILLINOIS  
DEPARTMENT OF TRANSPORTATION**

**DISABLED PARKING**

SCALE: SHEET 1 OF 1 SHEETS STA. TO STA.

F.A. RTE.	SECTION	COUNTY	TOTAL SHEETS	SHEET NO.
CONTRACT NO.				
ILLINOIS FED. AID PROJECT				