

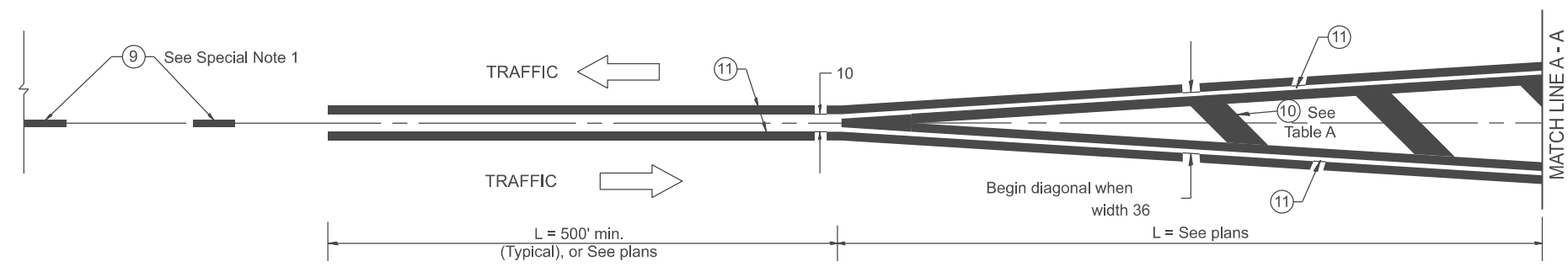
FLUSH PAVED MEDIAN: RESTRICTED LEFT TURN LANE

**TYPICAL TREATMENT:
SIGNALIZED INTERSECTION**

TABLE A

RECOMMENDED SPACING BETWEEN DIAGONAL LINES

SPEED LIMIT RANGE	INTERSECTION CHANNELIZATION (Includes Width Transitions for Median and Left Turn Lane Introductions)	
	CONTINUOUS	
Less Than 30 mph	50'	15'
30 - 45 mph	75'	20'
Over 45 mph	150'	30'



MEDIAN INTRODUCTION - WIDTH TRANSITIONS

All dimensions are in inches unless otherwise noted.

MODEL: SHT_PLAN
FILE NAME: C:\Bentley\CONNECT10110\organizer\Chil\IDOT_Standards\Cell\IDOT_Sheets.dwg

USER NAME = Eric.Thomas	DESIGNED -	REVISED -
	DRAWN -	REVISED -
	CHECKED -	REVISED -
PLOT DATE = 12/7/2022	DATE -	REVISED -

**STATE OF ILLINOIS
DEPARTMENT OF TRANSPORTATION**

TYPICAL PAVEMENT MARKINGS

SCALE: NOT TO SCALE SHEET 2 OF 2 SHEETS STA. TO STA.

F.A. RTE.	SECTION	COUNTY	TOTAL SHEETS	SHEET NO.
DISTRICT 4 DETAIL NO. 780001		CONTRACT NO.		
ILLINOIS		FED. AID PROJECT		