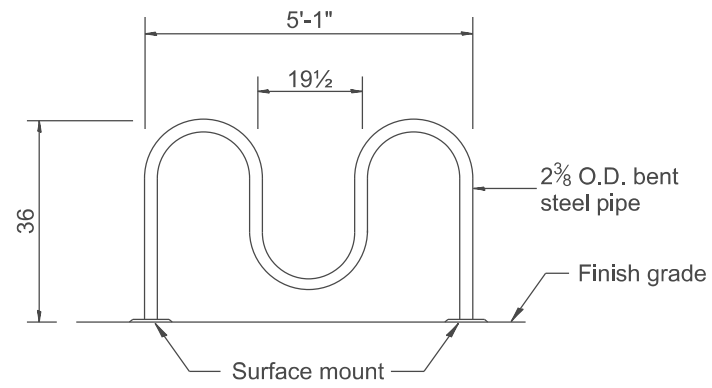


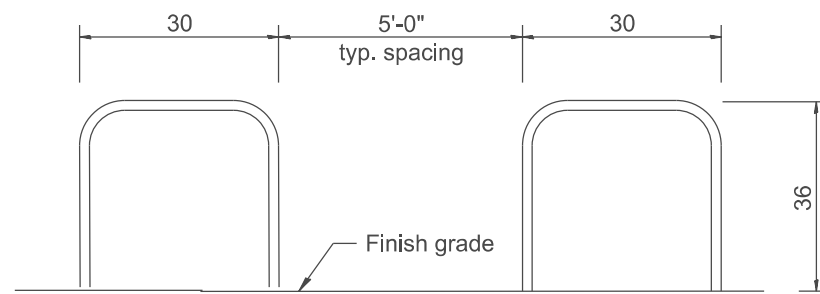
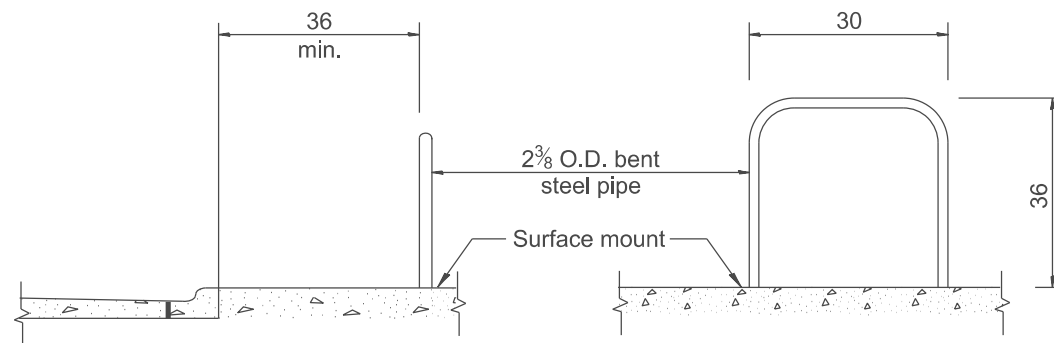
DESIGNER NOTES:

1. CHECK WITH PROJECT ENGINEER BEFORE USING IN PLANS.
2. VERIFY THAT THESE DESIGNS STILL MEET THE CURRENT REQUIREMENTS FOR BICYCLE FACILITIES.
3. A PROJECT SPECIFIC SPECIAL PROVISION WILL BE NEEDED WITH THIS CADD STANDARD.

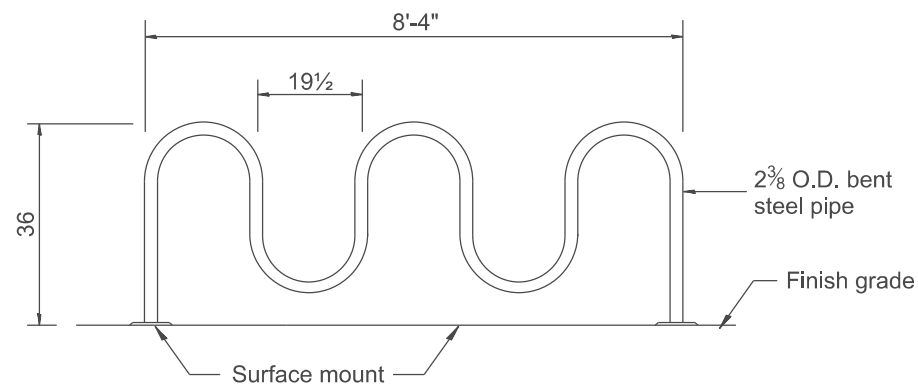
MODEL: SHT\_PLAN  
FILE NAME: C:\Bentley\CONNECT10110\organization\ChillIDOT\_Standards\CaddIDOT\_Sheets.cad



TYPE A<sub>3</sub> BICYCLE RACK ELEVATION

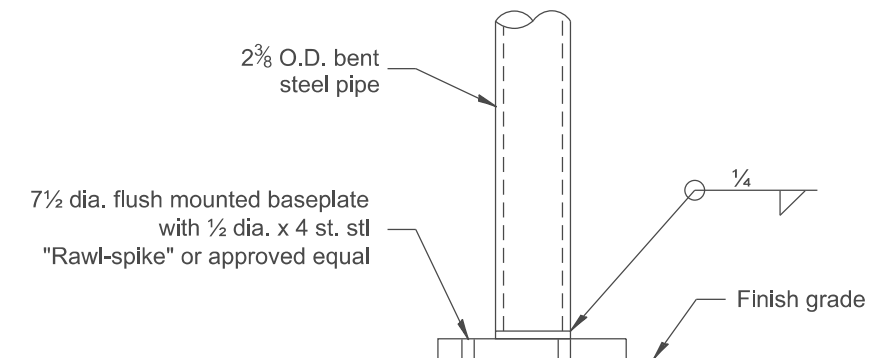
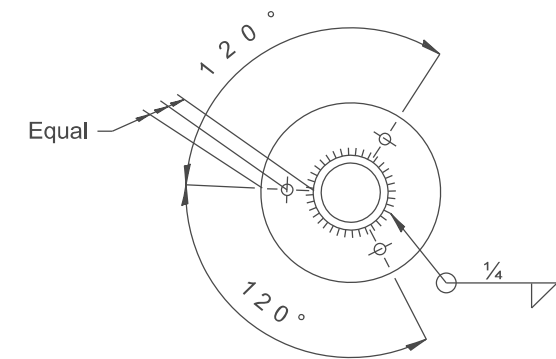


TYPE B BICYCLE RACK



TYPE A<sub>5</sub> BICYCLE RACK ELEVATION

7 1/2 dia. x 1/2 thick base plate



SURFACE MOUNT DETAIL

All dimensions are in inches unless otherwise noted.

USER NAME = Eric.Thomas	DESIGNED -	REVISED -
	DRAWN -	REVISED -
	CHECKED -	REVISED -
PLOT DATE = 12/7/2022	DATE -	REVISED -

STATE OF ILLINOIS  
DEPARTMENT OF TRANSPORTATION

BICYCLE RACK

SCALE: NOT TO SCALE SHEET OF SHEETS STA. TO STA.

F.A. RTE.	SECTION	COUNTY	TOTAL SHEETS	SHEET NO.
DISTRICT 4 DETAIL NO. 660201		CONTRACT NO.		
ILLINOIS FED. AID PROJECT				