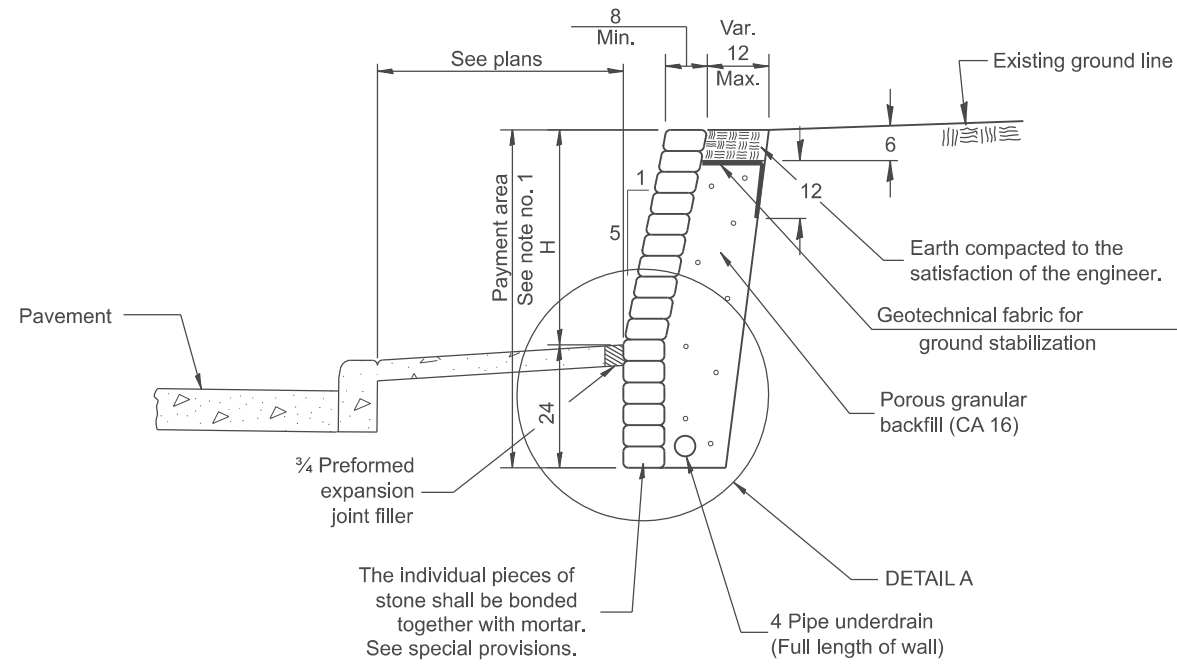


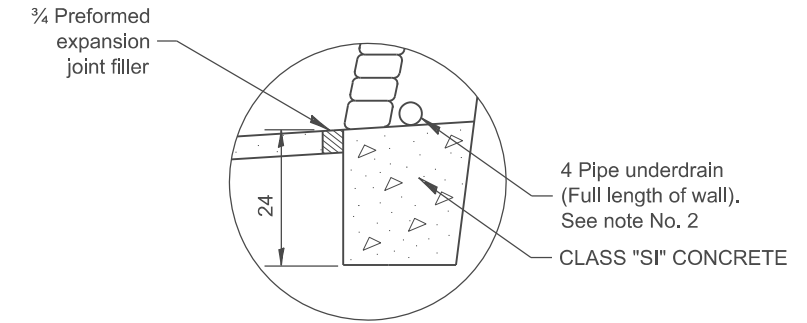
DESIGNER NOTES:  
 1. USE IN CONJUNCTION WITH SPECIAL PROVISIONS FOR "MORTARED STONE WALL". THE PAY ITEM INCLUDES P.E.J.F., GEOTECHNICAL FABRIC FOR GROUND STABILIZATION, PIPE UNDERDRAIN, PIPE DRAIN, AND POROUS GRANULAR BACKFILL.

MODEL: SHT\_PLAN  
 FILE NAME: C:\Bentley\CONNECT\10110\organization\Chil\DOT\_Standards\Call\DOT\_Sheets.dwg



**MORTARED STONE WALL DETAIL**

[Payment Formula : 24 + average height of exposed wall (H) x length of construction = payment area in sq. ft. ]



**DETAIL A  
CONCRETE ALTERNATE**

(See note No. 1)

**NOTES:**

1. At the Contractor's option this portion of the stone wall below top of sidewalk elevation may be constructed with class SI concrete. The width shall match the width of stone plus the 12 maximum trench.
2. 4 Pipe Underdrains Outlets shall outlet into inlets or storm sewer.
3. Pipe drains and pipe underdrains shall meet the requirements of the applicable portions of section 601 of the Standard Specifications.
4. Preformed expansion joint filler shall be placed between the sidewalk and the wall.
5. The Geotechnical fabric shall meet the requirements of the applicable portions of Section 210 and 1080 of the Standard Specifications.

All dimensions are in inches unless otherwise noted.

USER NAME = Eric.Thomas	DESIGNED -	REVISED -
	DRAWN -	REVISED -
	CHECKED -	REVISED -
PLOT DATE = 12/7/2022	DATE -	REVISED -

**STATE OF ILLINOIS  
DEPARTMENT OF TRANSPORTATION**

**MORTARED STONE WALL**

SCALE: NOT TO SCALE SHEET OF SHEETS STA. TO STA.

F.A. RTE.	SECTION	COUNTY	TOTAL SHEETS	SHEET NO.
DISTRICT 4 DETAIL NO. 660001		CONTRACT NO.		
ILLINOIS FED. AID PROJECT				