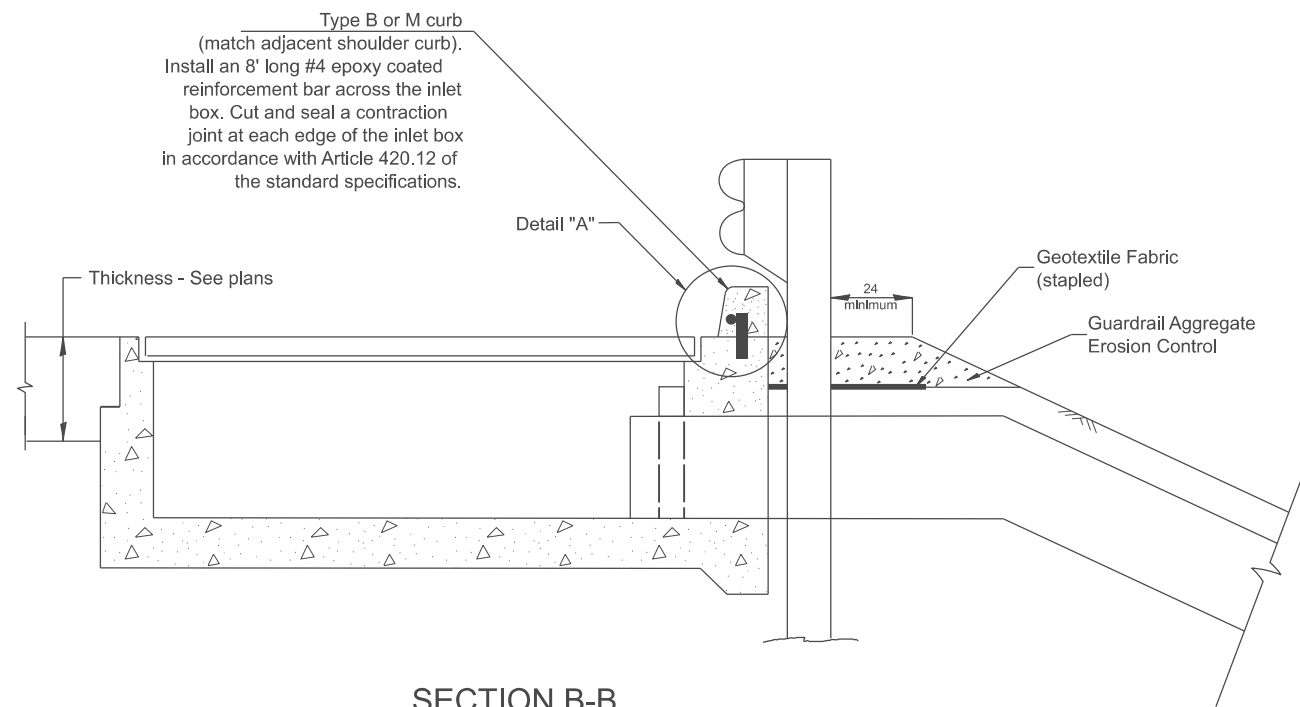
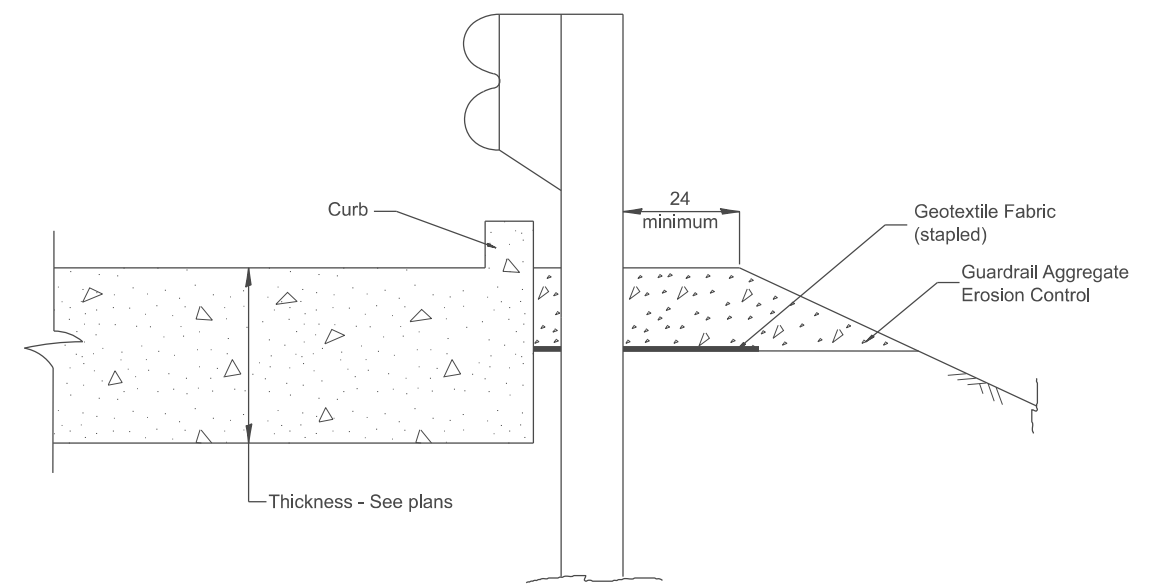


PLAN VIEW
APPROACH SLAB OR SHOULDER PLACEMENT



SECTION B-B
TYPICAL SECTION AT INLETS
TYPE E, F & G (HIGHWAY STANDARD 610001)



SECTION A-A
TYPICAL SECTION WITH BRIDGE APPROACH CURB

All dimensions are in inches unless otherwise noted.

MODEL: SHT_PLAN
FILE NAME: C:\Bentley\CONNECT\10110\Organization\Chil\IDOT_Standards\Civil\IDOT_Sheets.dwg

USER NAME = Eric.Thomas	DESIGNED -	REVISED -
	DRAWN -	REVISED -
	CHECKED -	REVISED -
PLOT DATE = 12/7/2022	DATE -	REVISED -

STATE OF ILLINOIS
DEPARTMENT OF TRANSPORTATION

GUARDRAIL EROSION CONTROL TREATMENTS

SCALE: NOT TO SCALE SHEET 2 OF 2 SHEETS STA. TO STA.

F.A. RTE.	SECTION	COUNTY	TOTAL SHEETS	SHEET NO.
DISTRICT 4 DETAIL NO. 630101		CONTRACT NO.		
ILLINOIS FED. AID PROJECT				