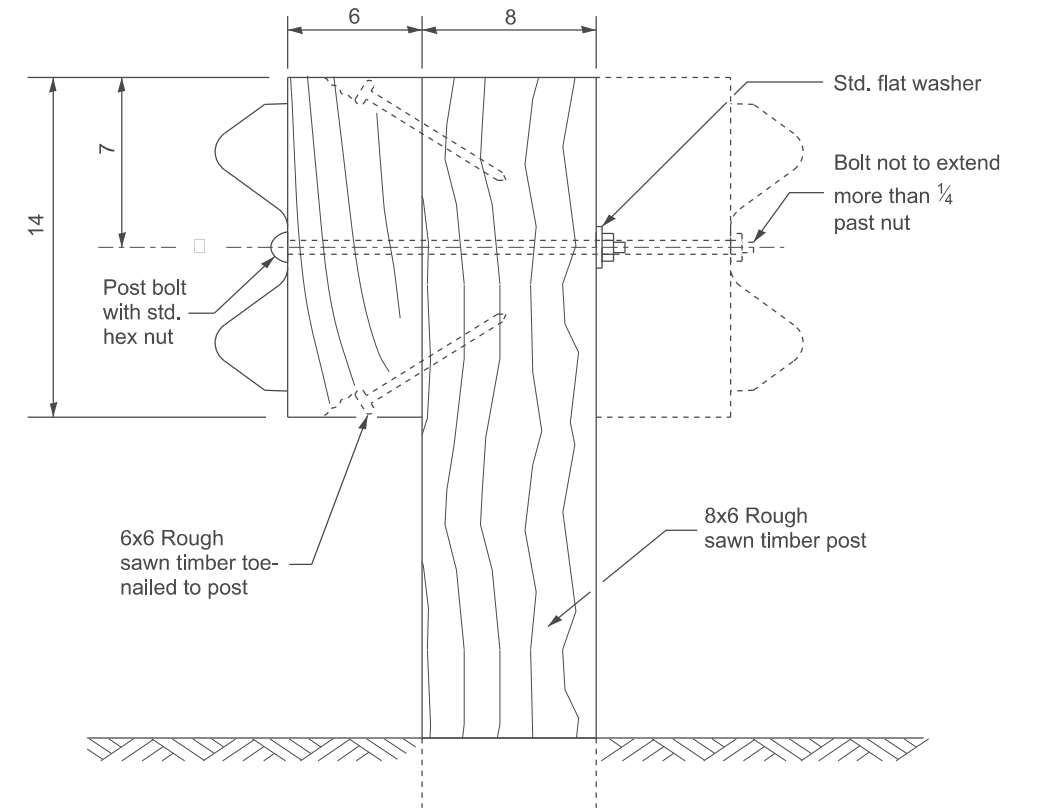
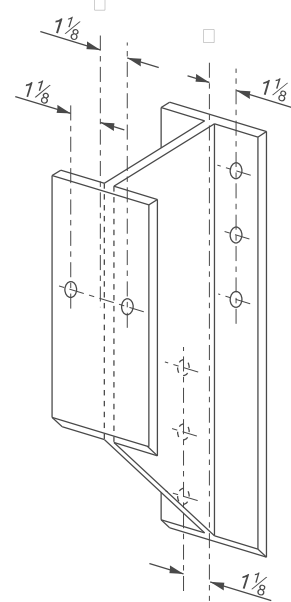


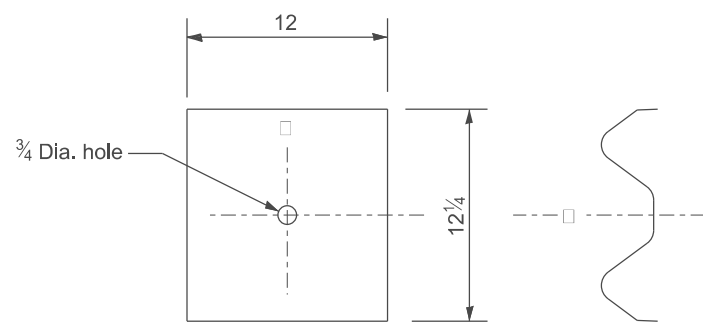
STEEL POST CONSTRUCTION



WOOD POST CONSTRUCTION



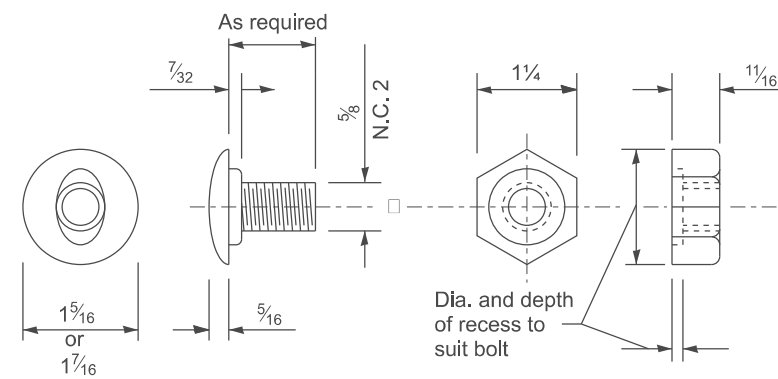
STEEL BLOCK-OUT DETAIL



NOTE

Plate A shall be placed between rail element and block-out at non-splice mounting points only when steel block-outs are used.

PLATE A



POST OR SPLICE BOLT & NUT

MODEL: D4-630011-02
FILE NAME: c:\p\work\pwrtd\illinois.gov\thomas.cox\illinois.gov\10559441D4-630011.dgn

USER NAME = thomas.cox	DESIGNED -	REVISED -
	DRAWN -	REVISED -
	CHECKED -	REVISED -
PLOT DATE = 11/11/2024	DATE -	REVISED -

**STATE OF ILLINOIS
DEPARTMENT OF TRANSPORTATION**

**STEEL PLATE BEAM GUARDRAIL, TYPE A,
6.75 FOOT POSTS**

SCALE: NOT TO SCALE SHEET 0002 OF 4 SHEETS STA. TO STA.

All dimensions are in inches unless otherwise noted.

F.A. RTE.	SECTION	COUNTY	TOTAL SHEETS	SHEET NO.
				0
DISTRICT 4 DETAIL NO. 630011			CONTRACT NO.	
ILLINOIS FED. AID PROJECT				