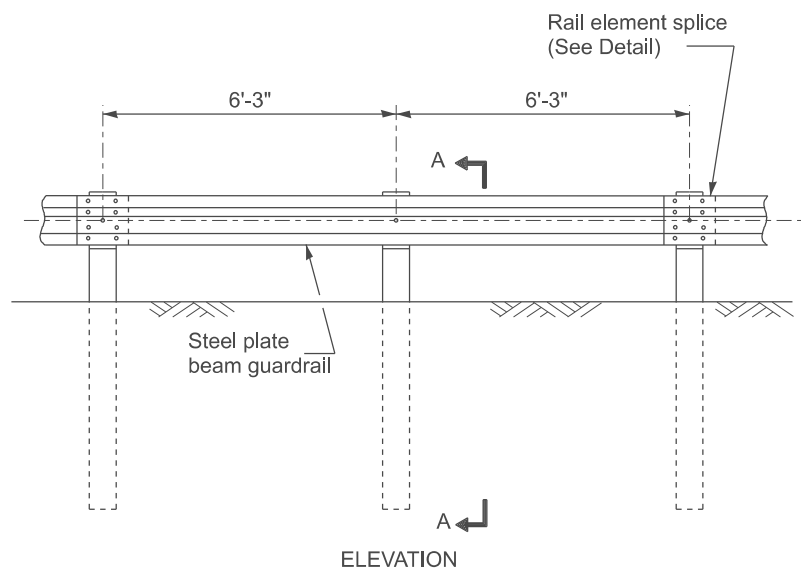
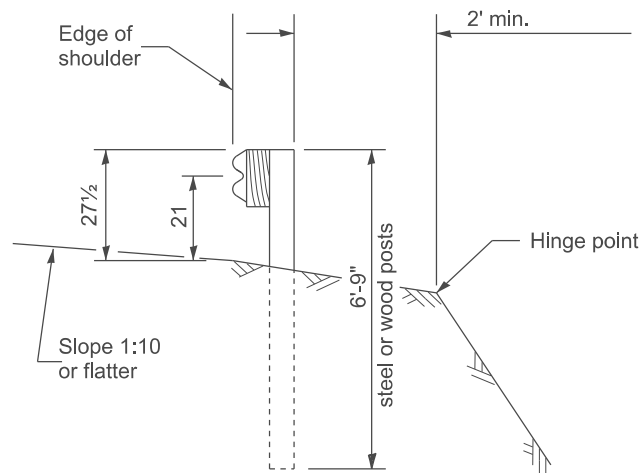


DESIGNER NOTE: Use this CADD Standard when removing and re-erecting existing non-MGS guardrail that was originally installed prior to January 1, 2007 or to replace existing rail to match existing non-MGS rail. Note this is removing and re-erecting so the 27" height is maintained. If existing rail is maintained, MGS guardrail use the State Standard.

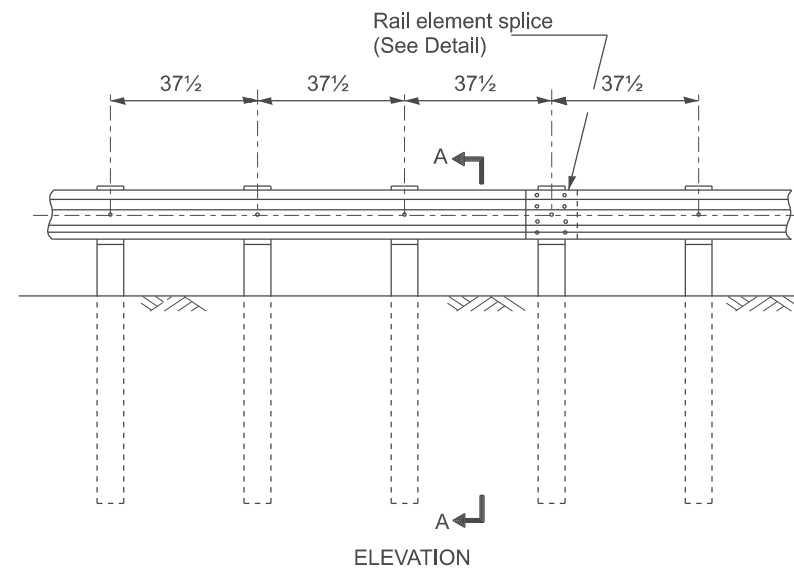
MODEL: D4-630011-01
FILE NAME: c:\p\work\mgs\cadd\mgs_guardrail.dwg



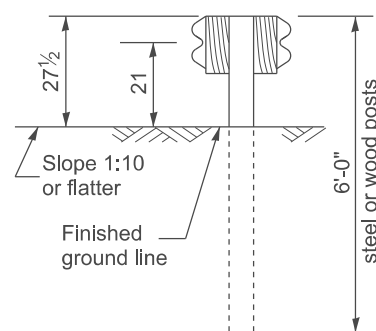
TYPE A
6'-3" Typical post spacing



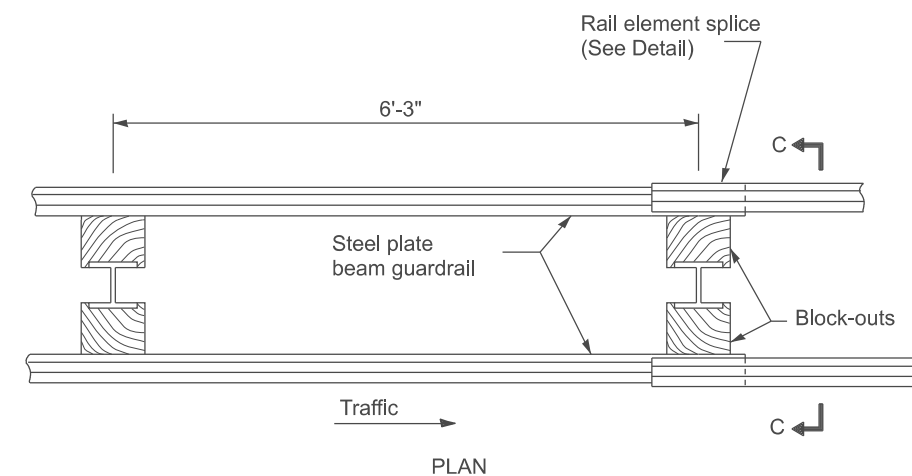
SECTION A-A



TYPE B
37 1/2" Closed post spacing



SECTION C-C



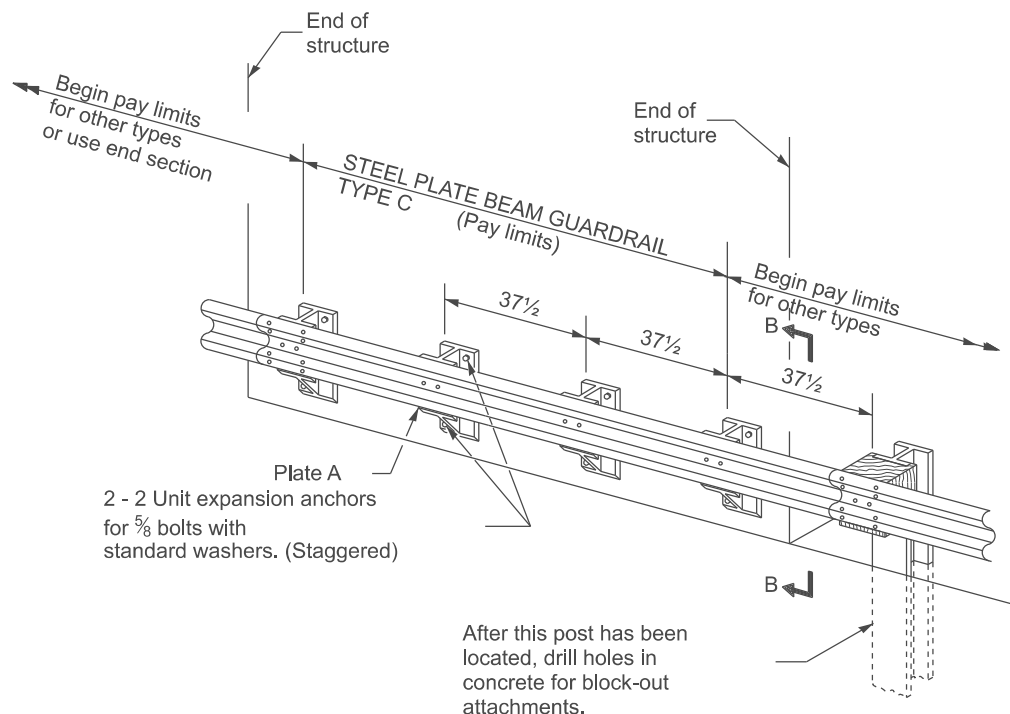
TYPE D
Double steel plate beam guardrail
6' - 3" typical post spacing

GENERAL NOTES

All slope ratios are expressed as units of vertical displacement to units of horizontal displacement (V:H).

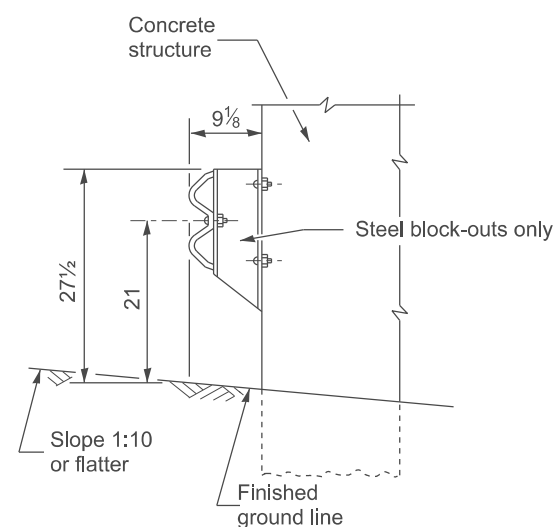
The existing steel posts may be drilled to match the bolt pattern shown herein for the wood block-out, or a new steel post shall be provided.

This detail is applicable to the guardrail system used prior to January 1, 2007. For details on the Midwest Guardrail System, see Standard 630001.



After this post has been located, drill holes in concrete for block-out attachments.

TYPE C
37 1/2" Block-out spacing



SECTION B-B

All dimensions are in inches unless otherwise noted.

USER NAME = thomas.cox	DESIGNED -	REVISED -
	DRAWN -	REVISED -
	CHECKED -	REVISED -
PLOT DATE = 11/11/2024	DATE -	REVISED -

**STATE OF ILLINOIS
DEPARTMENT OF TRANSPORTATION**

**STEEL PLATE BEAM GUARDRAIL, TYPE A,
6.75 FOOT POSTS**

SCALE: NOT TO SCALE SHEET 0001 OF 4 SHEETS STA. TO STA.

F.A. RTE.	SECTION	COUNTY	TOTAL SHEETS	SHEET NO.
				0
DISTRICT 4 DETAIL NO. 630011			CONTRACT NO.	
ILLINOIS FED. AID PROJECT				