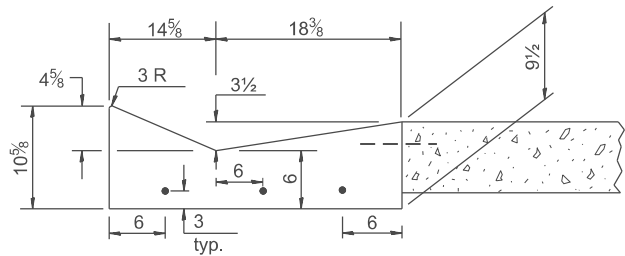
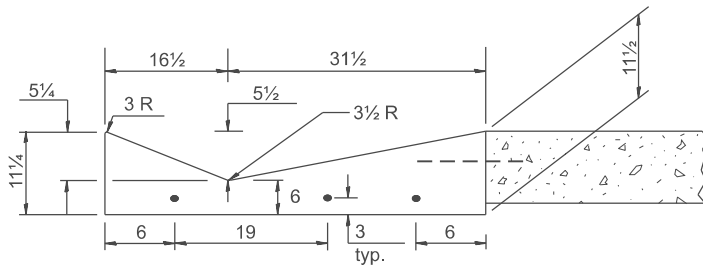


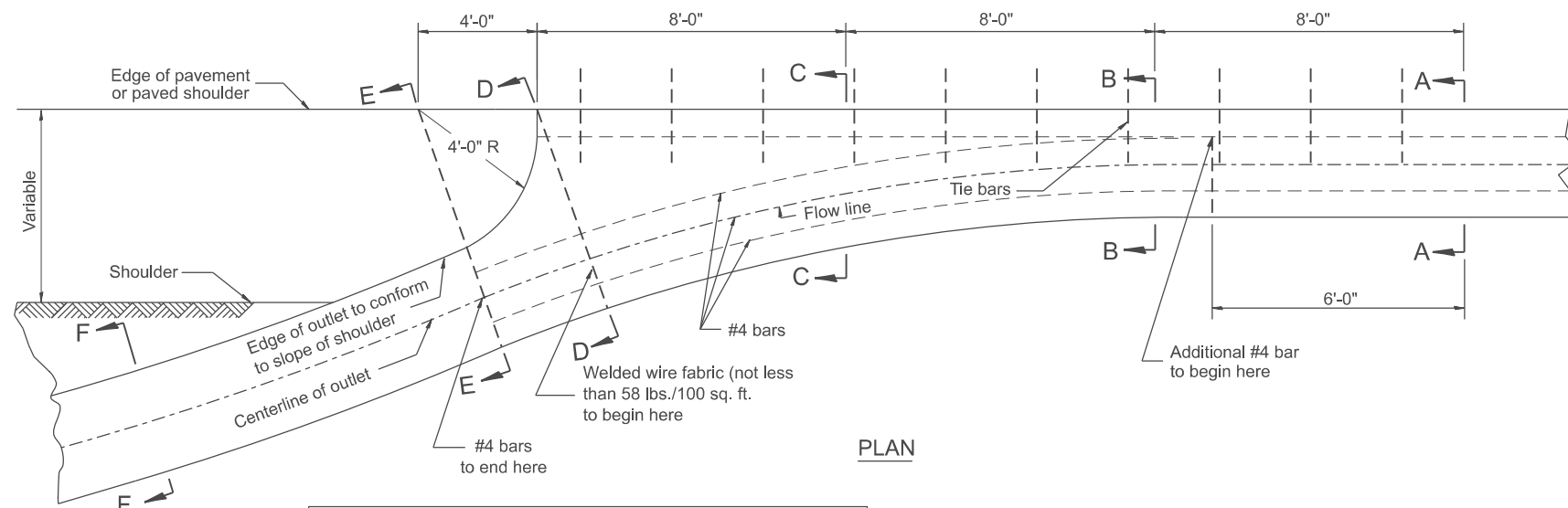
SECTION A-A



SECTION B-B



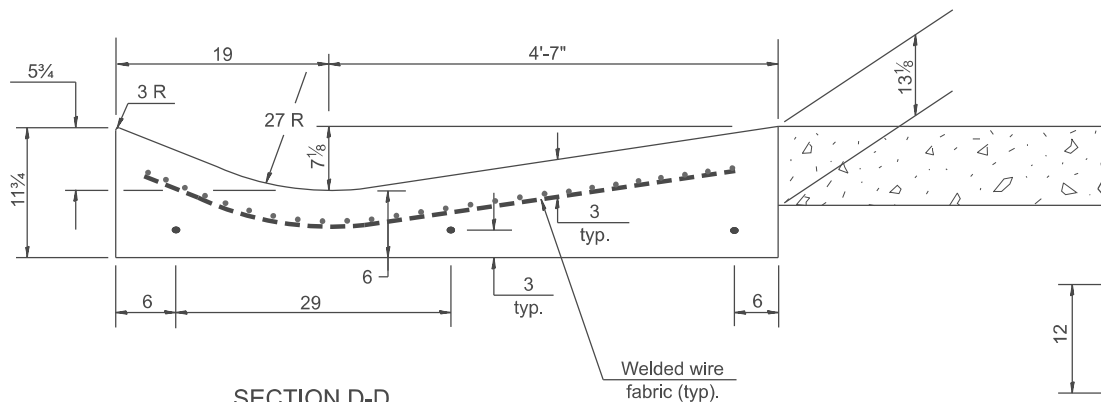
SECTION C-C



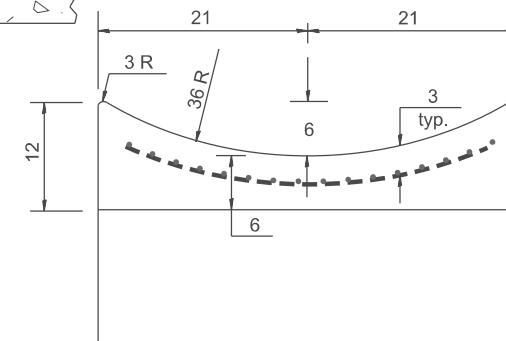
PLAN

QUANTITY
 Section A-A to E-E = 2.81 cu. yd. concrete.
 Section E-E to F-F = 0.09 cu. yd./ft. concrete.

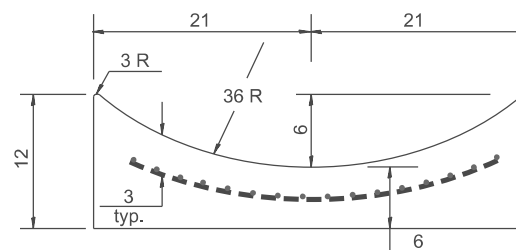
If the average grade of pavement for the distance from section A-A to section D-D exceeds 2%, this distance shall be increased 6 ft. (1.8m) for each 1% increase in grade. A quantity adjustment is required.



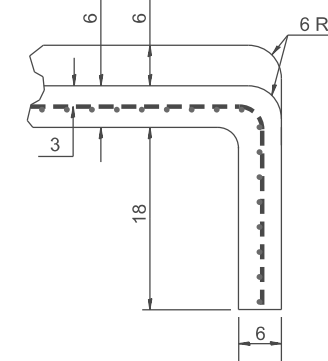
SECTION D-D



SECTION E-E



SECTION F-F



SECTIONS AT END OF OUTLET
(CURTAIN WALL)

QUANTITY
 Curtain Wall =
 0.1 cu. yd. concrete.

OUTLET

MODEL: SHT_PLAN
 FILE NAME: C:\Bentley\CONNECT101\Organizer\ChilidDOT_Standards\Cat\IDOT_Sheets.cat

QUANTITIES	
CALC. BY:	DATE:
CHECKED BY:	DATE:
QUANTITY CALCULATIONS ARE ON FILE AT THE DISTRICT 4 OFFICE; BUREAU OF PROJECT IMPLEMENTATION; DOCUMENTATION SECTION	

USER NAME = Eric.Thomas	DESIGNED -	REVISED -
	DRAWN -	REVISED -
	CHECKED -	REVISED -
PLOT DATE = 12/7/2022	DATE -	REVISED -

STATE OF ILLINOIS
 DEPARTMENT OF TRANSPORTATION

**CONCRETE GUTTER, TYPE B, (SPECIAL)
 (INLET, OUTLET & ENTRANCE)**

SCALE: NOT TO SCALE SHEET 2 OF 3 SHEETS STA. TO STA.

All dimensions are in inches unless otherwise noted.

F.A. RTE.	SECTION	COUNTY	TOTAL SHEETS	SHEET NO.
DISTRICT 4 DETAIL NO. 606201		CONTRACT NO.		
ILLINOIS FED. AID PROJECT				