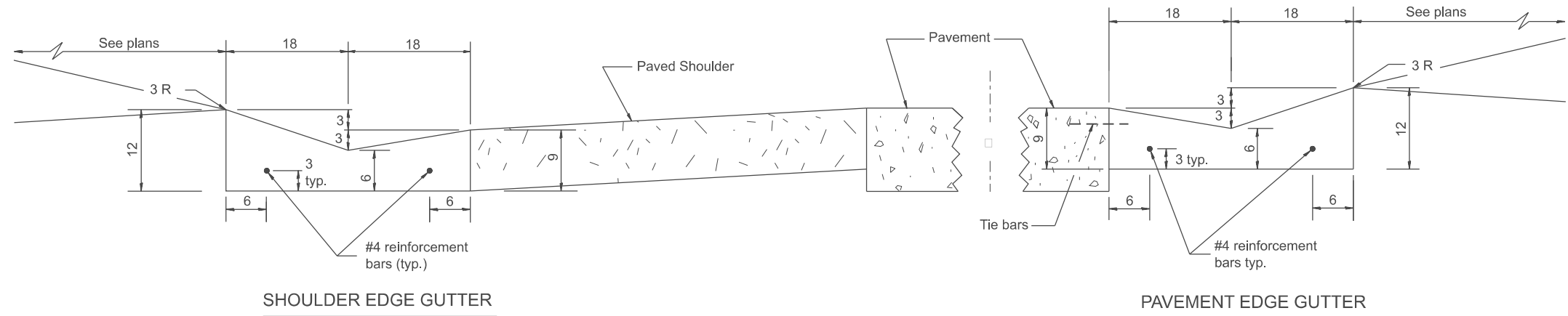


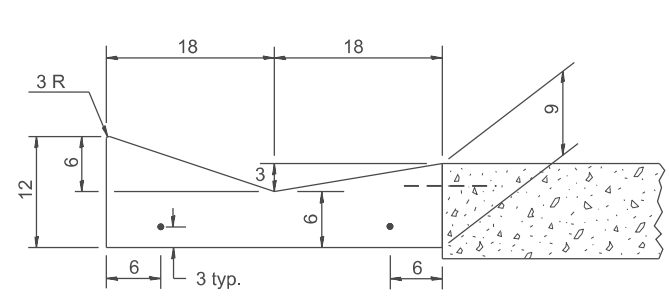
DESIGNER NOTES:
 1. INCLUDE STATE STANDARD 420001.
 2. PAY ITEM FOR INLETS, OUTLETS, AND ENTRANCES IS X6060097 CLASS SI CONCRETE (OULET), SPECIAL
 MODEL: SHT_PLAN
 FILE NAME: C:\Bentley\CONNECTION\PROJECT\1010\signature\chillid\DOT_Signatures\chillid\DOT_Signatures.sct



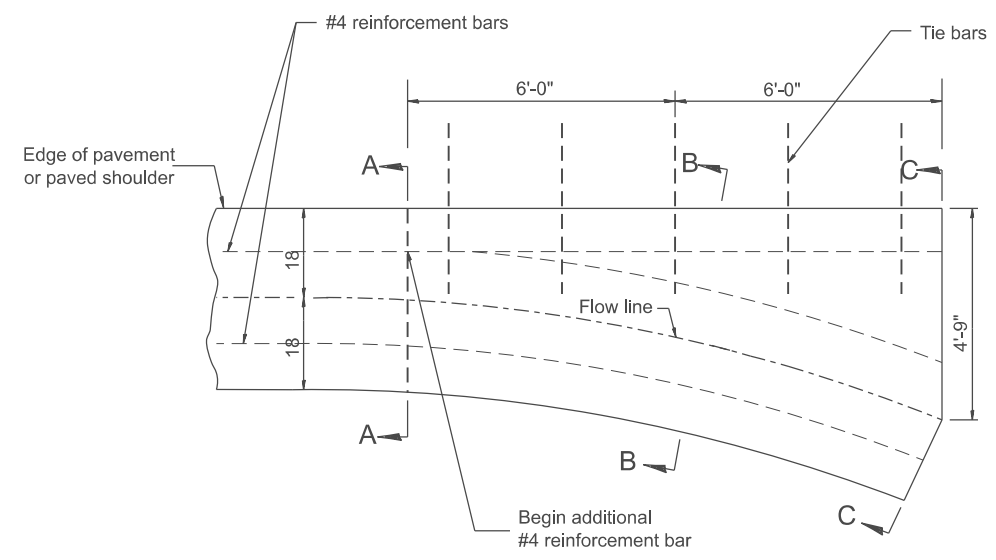
SHOULDER EDGE GUTTER

PAVEMENT EDGE GUTTER

CONCRETE GUTTER, TYPE A, (SPECIAL)

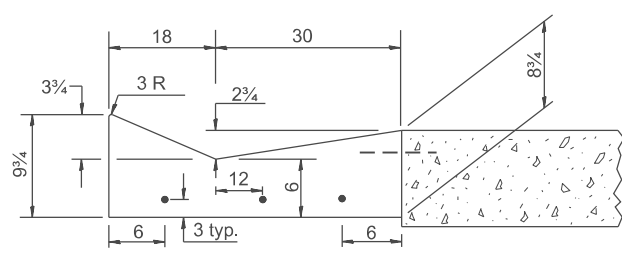


SECTION A-A

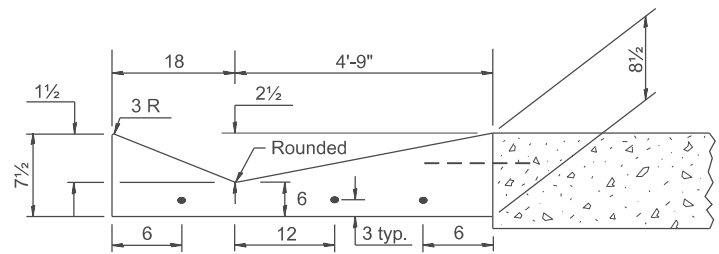


PLAN

QUANTITY
 Section C-C to A-A= 1.2 cu. yd. concrete.



SECTION B-B



SECTION C-C

INLET

GENERAL NOTES:

1. CONCRETE GUTTER, TYPE A, (SPECIAL) shall conform to the applicable portions of Section 606.
2. Tie bars shall be No. 6x24 (No. 19x600) at 36" centers unless otherwise shown.
3. Gutter, gutter inlets, gutter outlets, and gutter entrances shall be tied to rigid pavement in accordance with details shown on Standard 420001.
4. Joints shall be constructed in accordance with Article 606.06.
5. Welded wire fabric shall conform to Article 1006.10(c)(1), and shall not be less than 58 lbs/100 sq.ft.

All dimensions are in inches unless otherwise noted.

QUANTITIES	
CALC. BY:	DATE:
CHECKED BY:	DATE:

QUANTITY CALCULATIONS ARE ON FILE AT THE DISTRICT 4 OFFICE; BUREAU OF PROJECT IMPLEMENTATION; DOCUMENTATION SECTION

USER NAME = Eric.Thomas	DESIGNED -	REVISED -
	DRAWN -	REVISED -
	CHECKED -	REVISED -
PLOT DATE = 12/7/2022	DATE -	REVISED -

**STATE OF ILLINOIS
 DEPARTMENT OF TRANSPORTATION**

**CONCRETE GUTTER, TYPE A, (SPECIAL)
 (INLET, OUTLET & ENTRANCE)**

SCALE: NOT TO SCALE SHEET 1 OF 3 SHEETS STA. TO STA.

F.A. RTE.	SECTION	COUNTY	TOTAL SHEETS	SHEET NO.
	DISTRICT 4 DETAIL NO. 606101			
CONTRACT NO.				

ILLINOIS FED. AID PROJECT