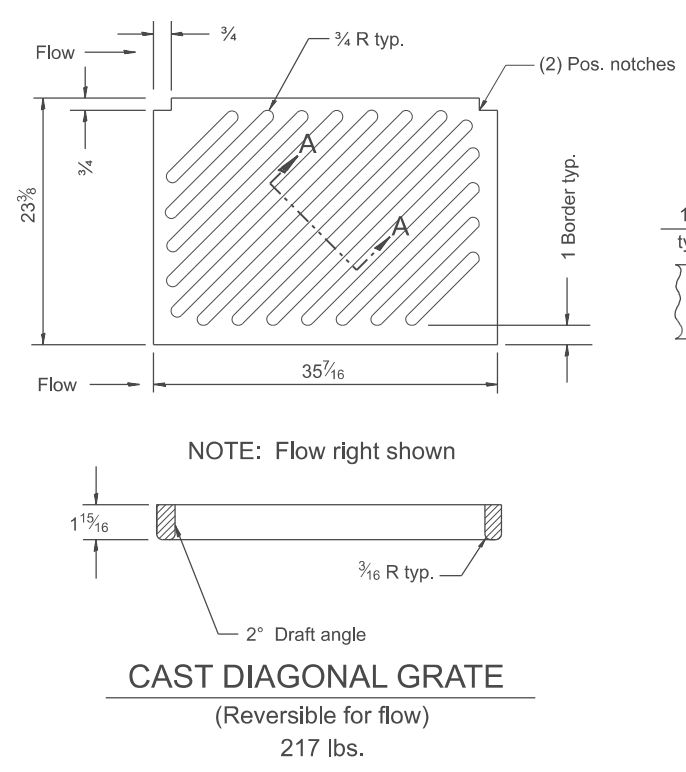
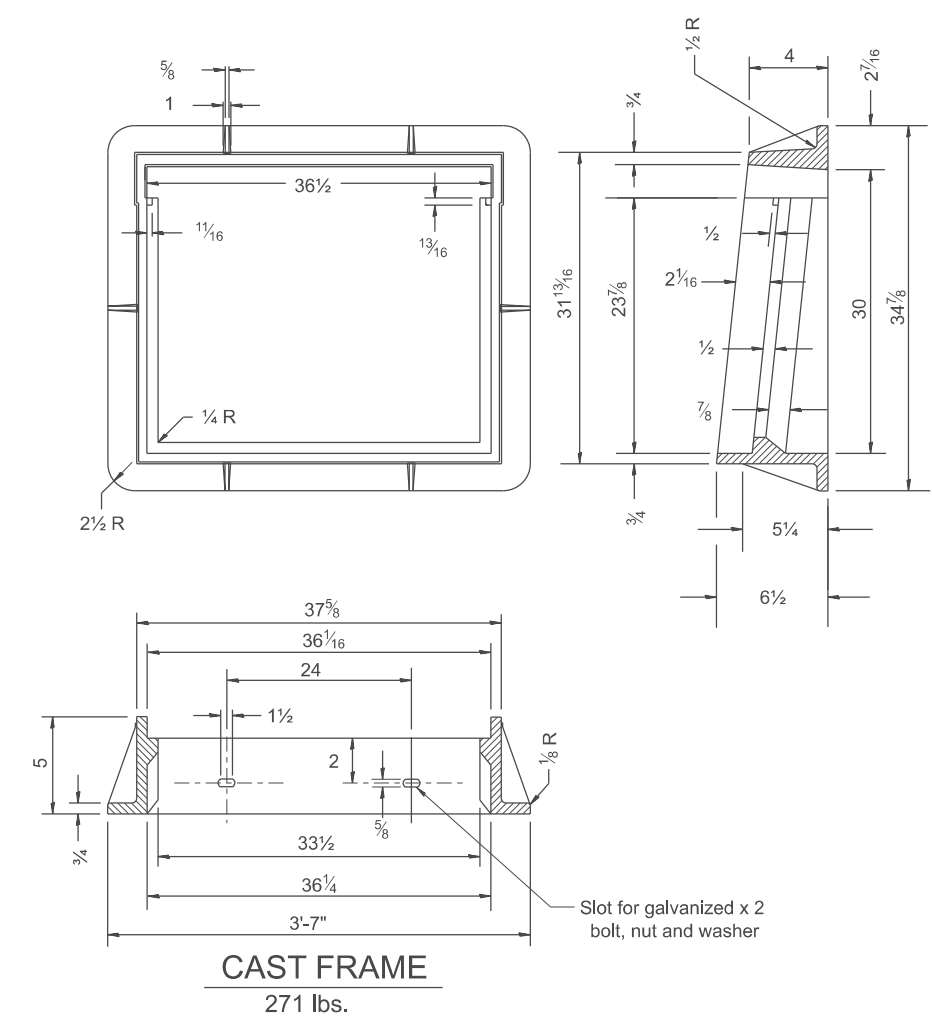
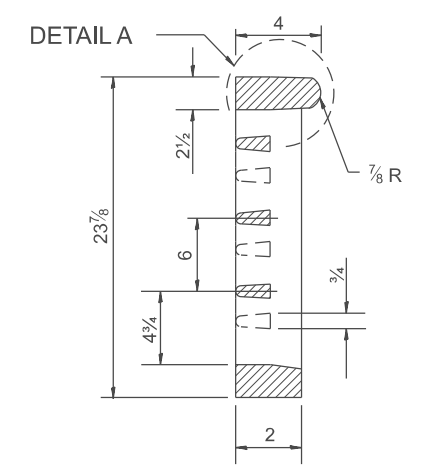
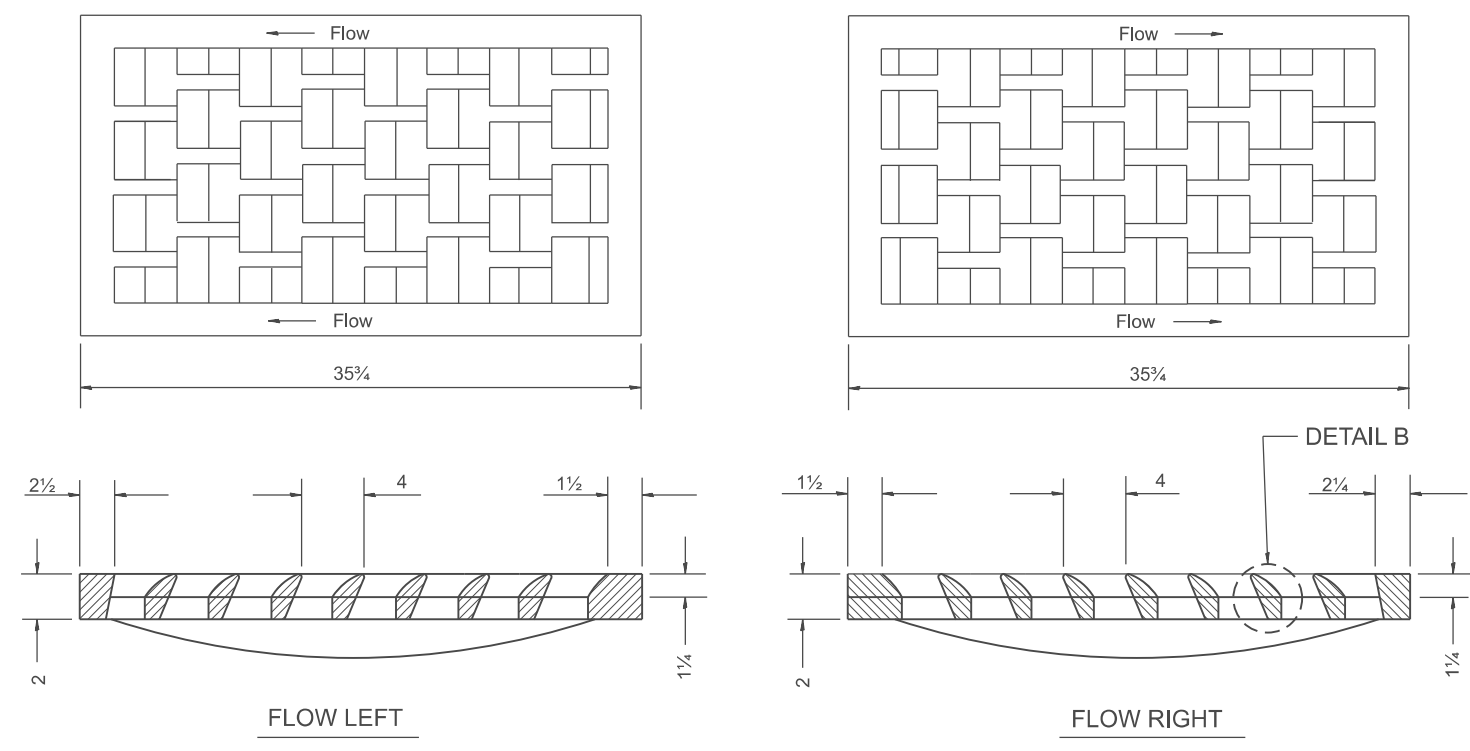
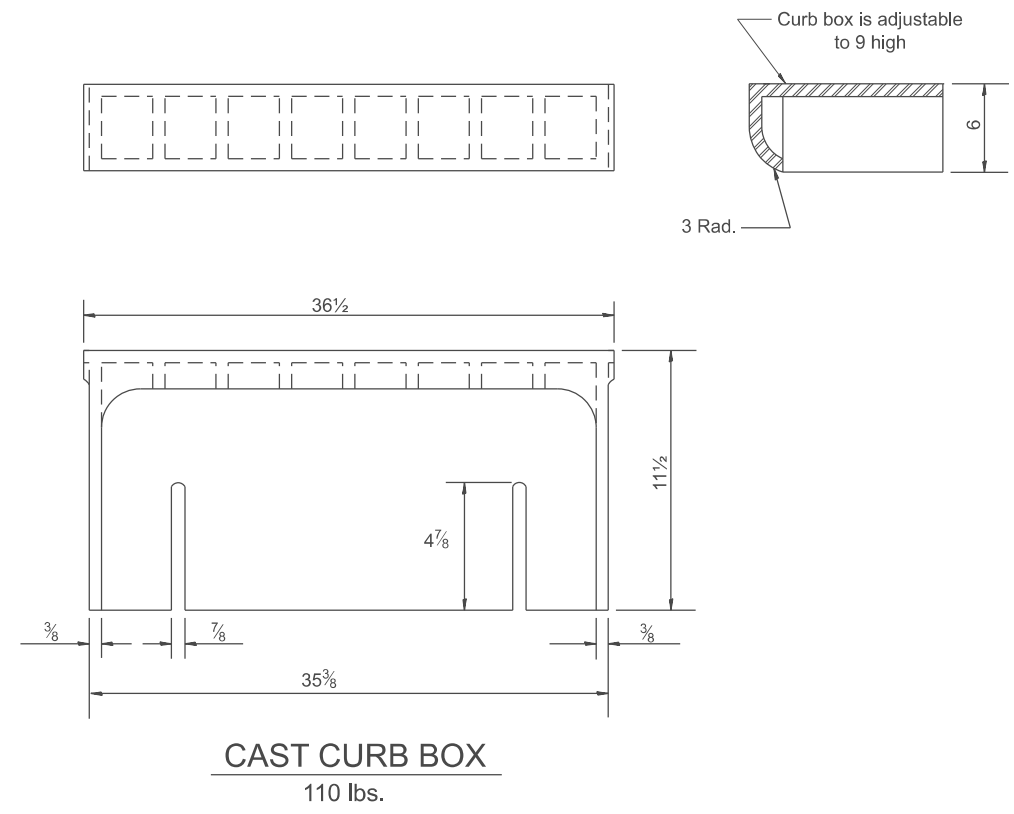
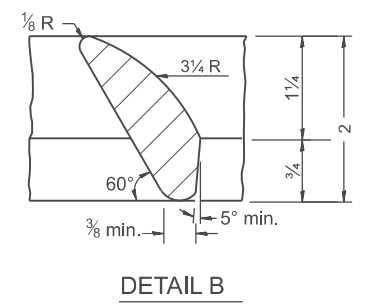
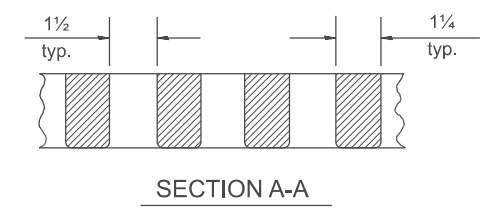
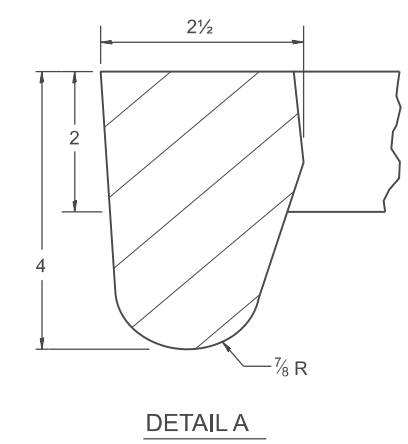


1. Include this standard with all Type G-1 and Type G-1, Special Drainage Structures.
2. Specify grate types and flow directions in plans.
3. These casings are included in the cost of the drainage structures as per District Special Provision.
4. This drawing based upon "NEENAH" designs as follows: Inlet Frame: R-3246-A, Curb Box: R-3290 Reversible Diagonal Grate: R-3246-A Vane Grates: R-3246-AL (flow left) R-3246-AL (flow right)

MODEL: SHT_PLAN
FILE NAME: C:\Bentley\CONNECT101\Organization\Chilidot_Standards\Civil\DOT_Sheets.ctb
R-3246-AL (flow right)



CAST VANE GRATES
(SPECIFY LEFT OR RIGHT FLOW)
230 lbs.



GENERAL NOTES

1. The frame and grate shown on this drawing are for use with all TYPE G-1 and TYPE G-1, SPECIAL DRAINAGE STRUCTURES. See plans for grate type and flow direction.
2. Flow direction: As viewed from street side.
3. Material: cast gray iron.

All dimensions are in inches unless otherwise noted.

USER NAME = Eric.Thomas	DESIGNED -	REVISED -
	DRAWN -	REVISED -
	CHECKED -	REVISED -
PLOT DATE = 12/7/2022	DATE -	REVISED -

STATE OF ILLINOIS
DEPARTMENT OF TRANSPORTATION

FRAME & GRATES FOR TYPE G-1 AND TYPE G-1, SPECIAL DRAINAGE STRUCTURES

SCALE: NOT TO SCALE SHEET OF SHEETS STA. TO STA.

F.A. RTE.	SECTION	COUNTY	TOTAL SHEETS	SHEET NO.
DISTRICT 4 DETAIL NO. 604001		CONTRACT NO.		
ILLINOIS FED. AID PROJECT				