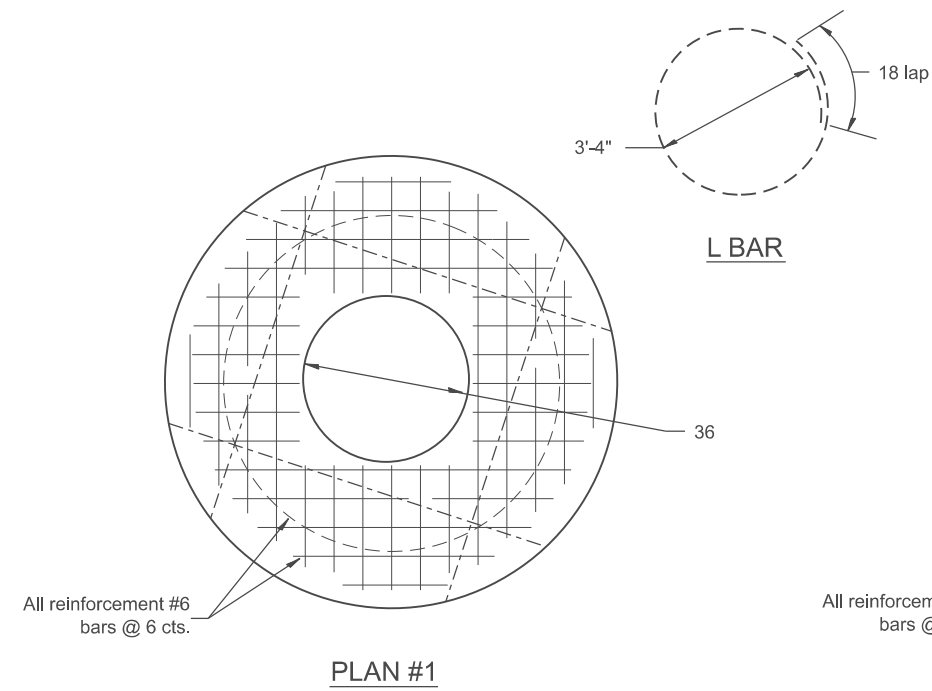
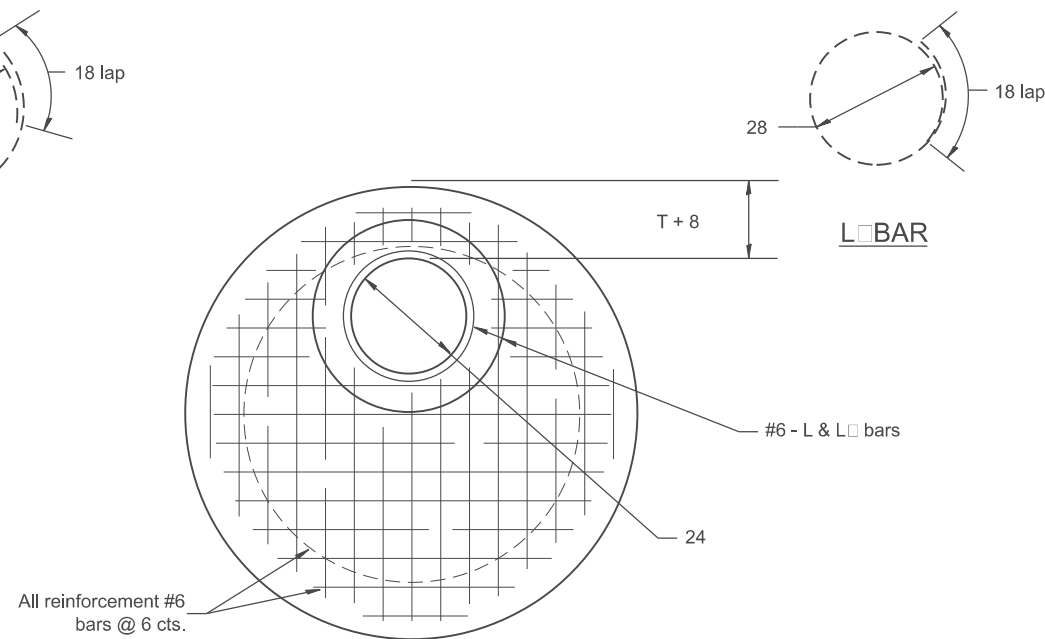


DESIGNER NOTES:  
 1. INCLUDE STD# 602401 (MANHOLE, TYPE A), AND STANDARD 602406 [MANHOLE TYPE A 72" DIAMETER].  
 2. INCLUDE STANDARD 602701 (CAST IRON STEPS).  
 3. INCLUDE DISTRICT SPECIAL PROVISION, PAY ITEM INCLUDES MANHOLE, FLAT SLAB TOP, AND FRAME, AND GRATE.  
 4. SPECIFY FRAME AND GRATE AND INCLUDE STANDARD/S.

MODEL: SHT\_PLAN  
 FILE NAME: C:\Bentley\CONNECT\10110\organization\Chiff\IDOT\_Standards\CallIDOT\_Sheets.dwg

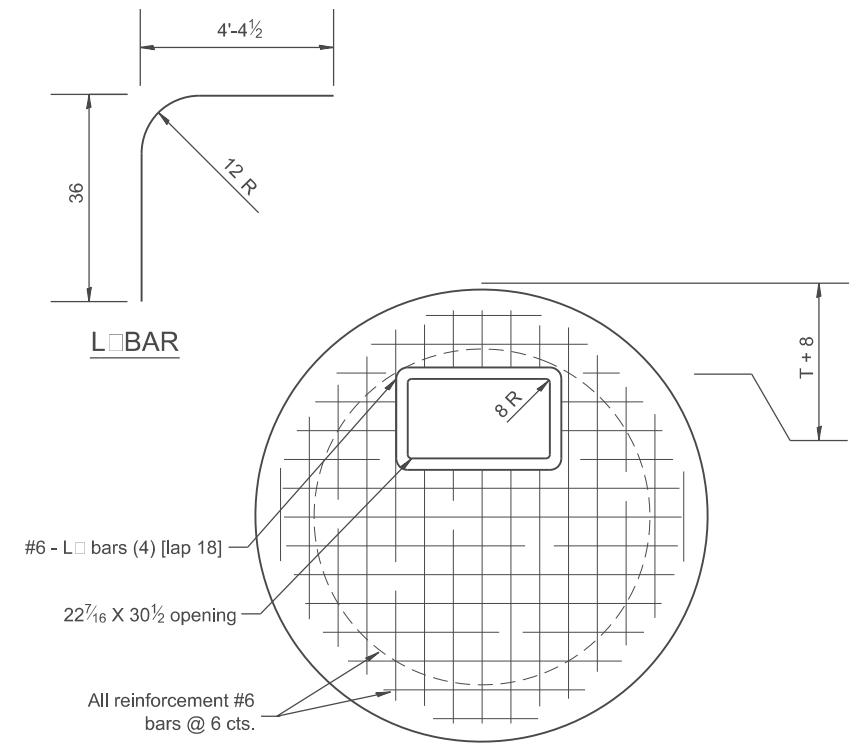


PLAN #1

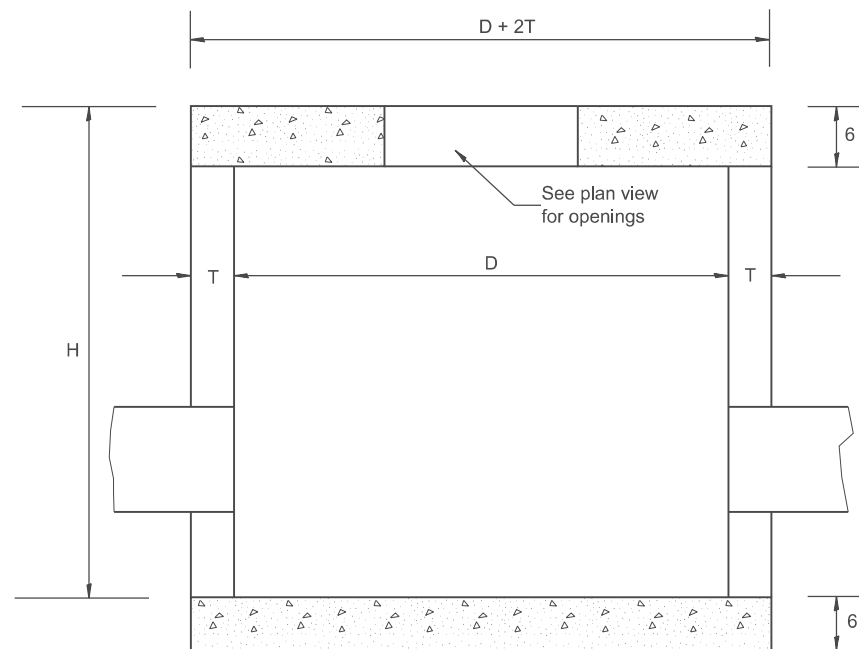


PLAN #2

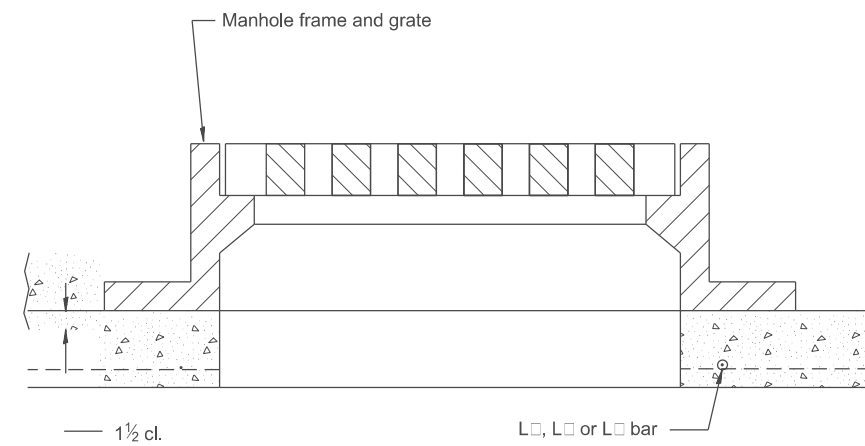
ALTERNATES: FLAT SLAB TOP



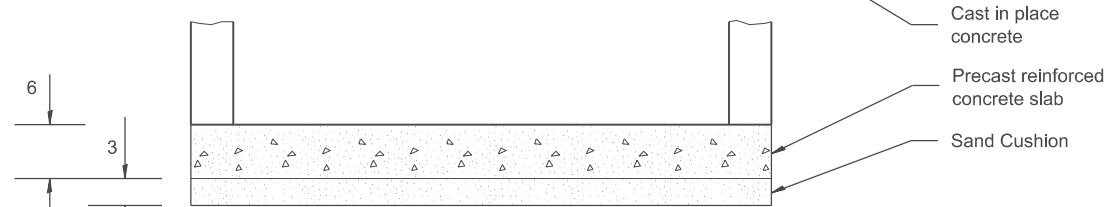
PLAN #3



ELEVATION



ELEVATION



ALTERNATE BOTTOM SLAB  
 (See Standard 602401 for other options)

ALTERNATE MATERIALS FOR WALLS	D	T (min.)
CONCRETE MASONRY UNITS	4' 5'	5
BRICK MASONRY	4' 5'	8 8
PRECAST REINFORCED CONCRETE RISERS	4' 5'	4 5
CAST-IN-PLACE CONCRETE	4' 5'	6 6

NOTES

1. Manhole construction shall be in accordance with Section 602 of the Standard Specifications.
2. See Standards 602401 and 602406 for invert details and optional construction details.
3. See Standards 602701 for cast iron steps.

All dimensions are in inches unless otherwise noted.

USER NAME = Eric.Thomas	DESIGNED -	REVISED -
	DRAWN -	REVISED -
	CHECKED -	REVISED -
PLOT DATE = 12/7/2022	DATE -	REVISED -

STATE OF ILLINOIS  
 DEPARTMENT OF TRANSPORTATION

MANHOLE, SPECIAL

SCALE: NOT TO SCALE SHEET OF SHEETS STA. TO STA.

F.A. RTE.	SECTION	COUNTY	TOTAL SHEETS	SHEET NO.
DISTRICT 4 DETAIL NO. 602501		CONTRACT NO.		
ILLINOIS FED. AID PROJECT				