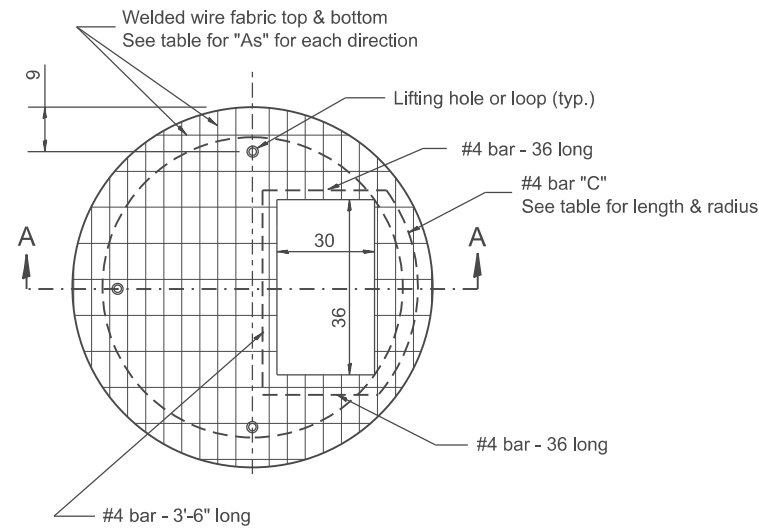


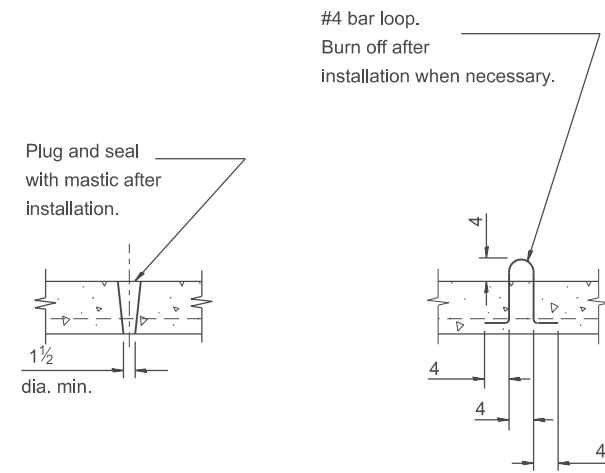
DESIGNER NOTES:

1. Include this standard with Type G-1 and Type G-1, Special Inlet-Manholes.
2. The flat slab top is included in the cost of INLET-MANHOLE as per District Special Provision.

MODEL: D4-602101
 FILE NAME: c:\pwworking\illinois.gov\thomas.cox\10559441D4-602101.dgn



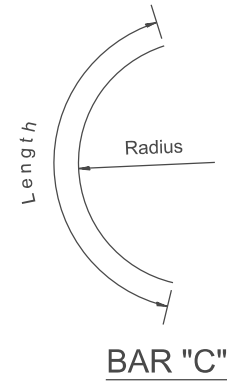
PLAN



LIFTING HOLE OR LIFTING LOOP

TYPICAL

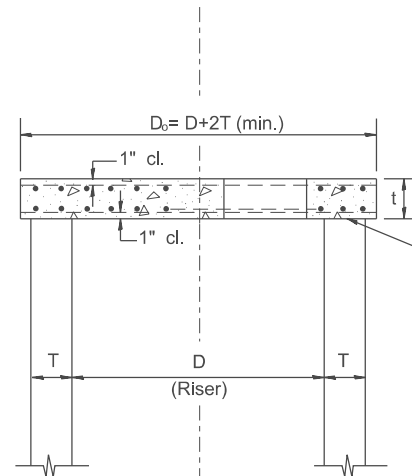
(3 required per slab)



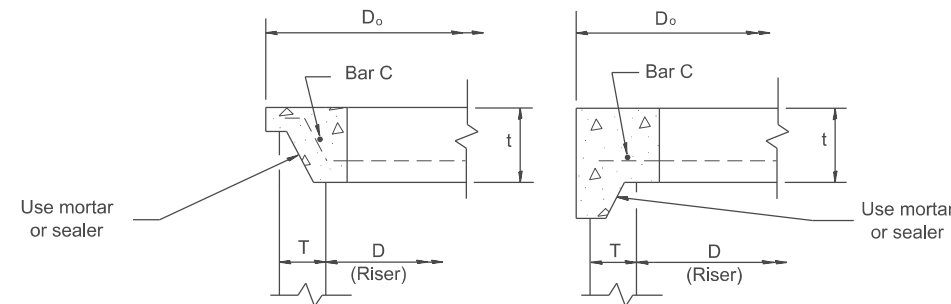
BAR "C"

TABLE

D	T	D _o (min.)	t	Reinforcement "As" W.W.F. each direction	Bar size	No. 4 Bar C	
						Length	Radius
4'	5	4'-10"	6	0.70 sq. inch/lin. ft.	No. 5	4'-6"	26
5'	6	6'-0"	8	0.70 sq. inch/lin. ft.	No. 5	5'-0"	32
6'	7 3/4	7'-3 1/2"	8	0.88 sq. inch/lin. ft.	No. 6	6'-0"	38
8'	9	9'-6"	10	0.88 sq. inch/lin. ft.	No. 6	7'-6"	4'-2"



SECTION A-A



ALTERNATE JOINT CONFIGURATIONS

GENERAL NOTES

1. The precast reinforced concrete flat slab top shall be used with INLET-MANHOLE, TYPE G-1 and INLET-MANHOLE, TYPE G-1, SPECIAL.
2. Joint configuration and dimensions of flat slab top shall match and fit the riser joint detail.
3. Lifting devices shall be approved by the Engineer.

All dimensions are in inches unless otherwise noted.

USER NAME = thomas.cox	DESIGNED -	REVISED -
	DRAWN -	REVISED -
	CHECKED -	REVISED -
PLOT DATE = 11/11/2024	DATE -	REVISED -

STATE OF ILLINOIS
 DEPARTMENT OF TRANSPORTATION

PRECAST REINFORCED CONCRETE FLAT SLAB TOP FOR
 INLET-MANHOLE, TYPE G-1 AND TYPE G-1, SPECIAL

SCALE: NOT TO SCALE SHEET 000 OF SHEETS STA. TO STA.

F.A. RTE.	SECTION	COUNTY	TOTAL SHEETS	SHEET NO.
				0
DISTRICT 4 DETAIL NO. 602101			CONTRACT NO.	
ILLINOIS FED. AID PROJECT				