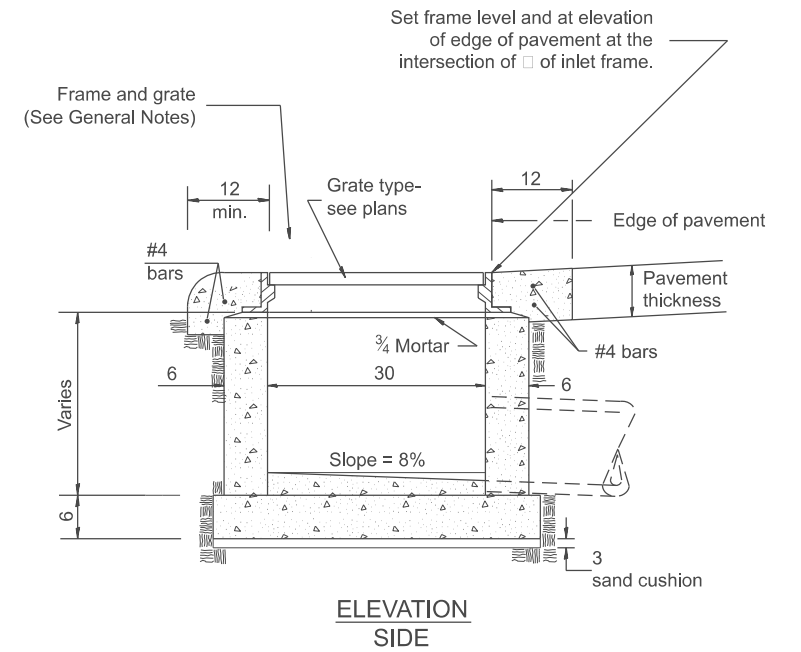
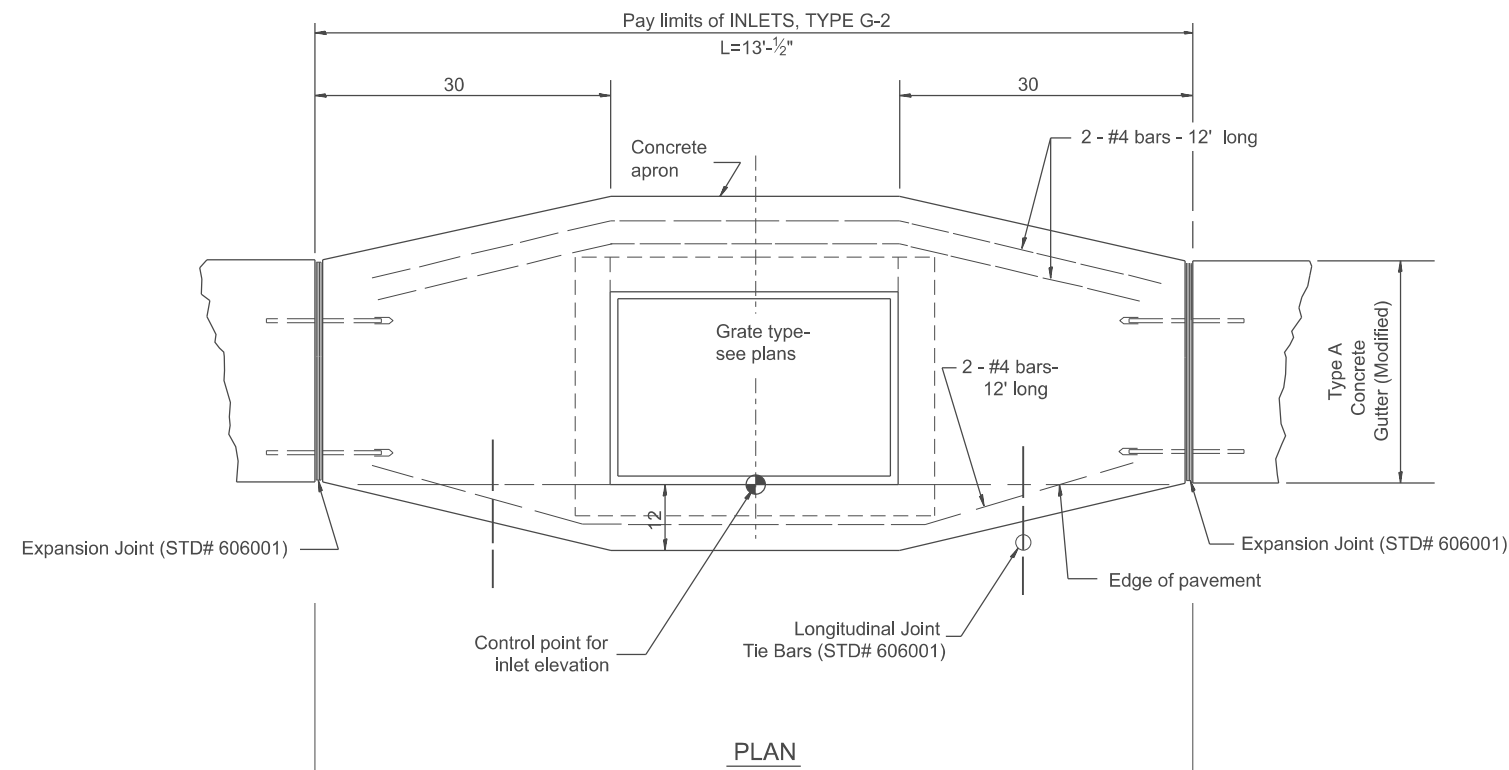


DESIGNER NOTES:

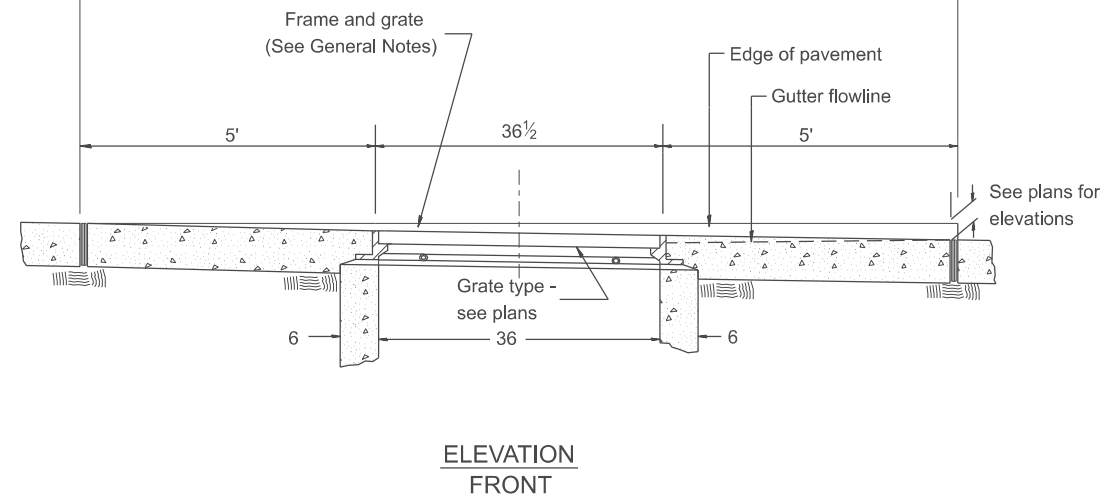
1. Include District CADD Standard 606101 for Type A Gutter (Modified) details.
2. Include State Standard 420001 for pavement joints.
3. Include District CADD Standard for frame and grates and specify grate type in plans.
4. Include District Special Provision. Pay item includes transitional gutter, inlet and frame and grate. All work within pay limits.
5. The designer should include pavement removal quantities when the apron requires pavement removal.

MODEL: SHT_PLAN
 FILE NAME: C:\Bentley\CONNECT\10110\Organization-Chil\IDOT_Standards\Call\IDOT_Sheets.dwg



GENERAL NOTES

1. Inlet construction shall be in accordance with Section 602 of the Standard Specifications.
2. Type A Concrete Gutter (Modified) shall be constructed in accordance with Section 606 of the Standard Specifications.
3. See District CADD Standard 604002-D4 for frame and grate.



All dimensions are in inches unless otherwise noted.

USER NAME = Eric.Thomas	DESIGNED -	REVISED -
	DRAWN -	REVISED -
	CHECKED -	REVISED -
PLOT DATE = 12/7/2022	DATE -	REVISED -

STATE OF ILLINOIS
 DEPARTMENT OF TRANSPORTATION

INLETS, TYPE G-2

SCALE: NOT TO SCALE SHEET OF SHEETS STA. TO STA.

F.A. RTE.	SECTION	COUNTY	TOTAL SHEETS	SHEET NO.
DISTRICT 4 DETAIL NO. 602002		CONTRACT NO.		
ILLINOIS FED. AID PROJECT				