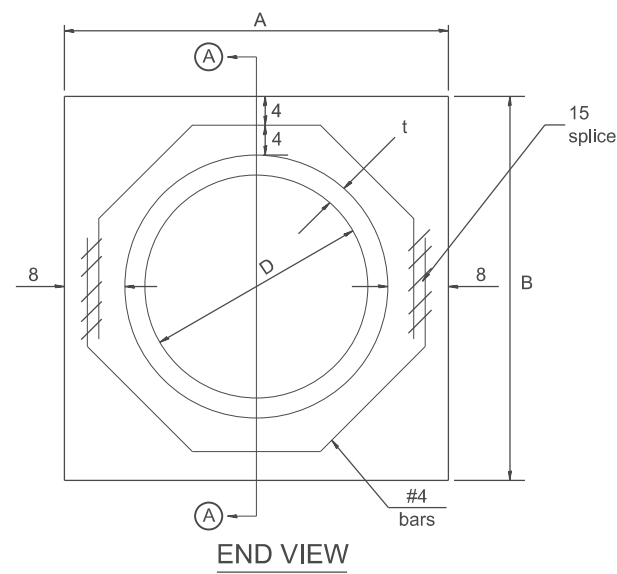
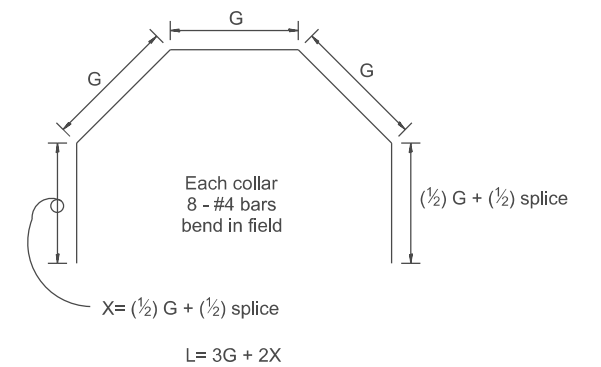


SECTION A - A



END VIEW



Each Collar								
				Reinforcement Bars				
D in	t in	A ft	B ft	CL. SI CONC. cu.yd.	G in	X in	L ft	Weight lb
12	2.00	2.67	2.67	0.4	9 ¹⁵ / ₁₆	12 ⁷ / ₁₆	4.57	24
15	2.25	2.96	2.96	0.4	11 ³ / ₈	13 ³ / ₁₆	5.05	27
18	2.50	3.25	3.25	0.5	12 ¹³ / ₁₆	13 ⁷ / ₈	5.54	30
21	2.75	3.54	3.54	0.5	14 ¹ / ₄	14 ⁵ / ₈	6.02	32
24	3.00	3.83	3.84	0.6	15 ¹¹ / ₁₆	15 ⁵ / ₁₆	6.51	35
27	3.25	4.13	4.13	0.7	17 ¹ / ₄	16 ¹ / ₁₆	6.99	37
30	3.50	4.42	4.42	0.7	18 ¹¹ / ₁₆	16 ³ / ₄	7.48	40
33	3.75	4.71	4.71	0.8	20 ¹ / ₈	17 ¹ / ₂	7.96	43
36	4.00	5.00	5.00	0.9	21 ⁹ / ₁₆	18 ³ / ₁₆	8.44	45
42	4.50	5.58	5.58	1.0	24 ⁷ / ₁₆	19 ³ / ₄	9.41	50
48	5.00	6.17	6.17	1.2	27 ⁵ / ₁₆	21 ³ / ₁₆	10.38	55

GENERAL NOTES

1. THE COLLAR SHALL BE CONSTRUCTED ENTIRELY OF CLASS SI CONCRETE IN ACCORDANCE WITH THE APPLICABLE PORTIONS OF SECTION 503 OF THE STANDARD SPECIFICATIONS. REINFORCEMENT BARS SHALL CONFORM TO SECTION 508.
2. This work shall be paid for by the cubic yard for CONCRETE COLLAR and by the pound for REINFORCEMENT BARS.

QUANTITIES		
CALC. BY:	R.J.D.	2-2-98 DATE:
CHECKED BY:	R.D.H.	2-6-98 DATE:
QUANTITY CALCULATIONS ARE ON FILE AT THE DISTRICT 4 OFFICE; BUREAU OF PROJECT IMPLEMENTATION; DOCUMENTATION SECTION		

All dimensions are in inches unless otherwise noted.

MODEL: SHT_PLAN
FILE NAME: C:\Bentley\CONNECT11\10\Organization\Chilidot_Standards\CollIDOT_Sheets.dwg

USER NAME = Eric.Thomas	DESIGNED -	REVISED -
	DRAWN -	REVISED -
	CHECKED -	REVISED -
PLOT DATE = 12/7/2022	DATE -	REVISED -

STATE OF ILLINOIS
DEPARTMENT OF TRANSPORTATION

PIPE CULVERT EXTENSION COLLAR (WITHOUT END SECTION)

SCALE: NOT TO SCALE SHEET OF SHEETS STA. TO STA.

F.A. RTE.	SECTION	COUNTY	TOTAL SHEETS	SHEET NO.
DISTRICT 4 DETAIL NO. 542016			CONTRACT NO.	
ILLINOIS FED. AID PROJECT				