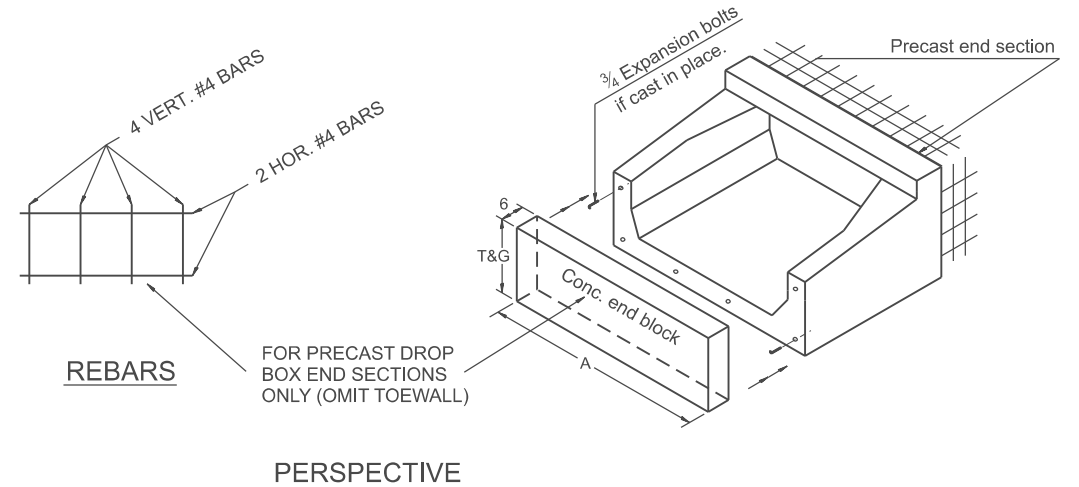
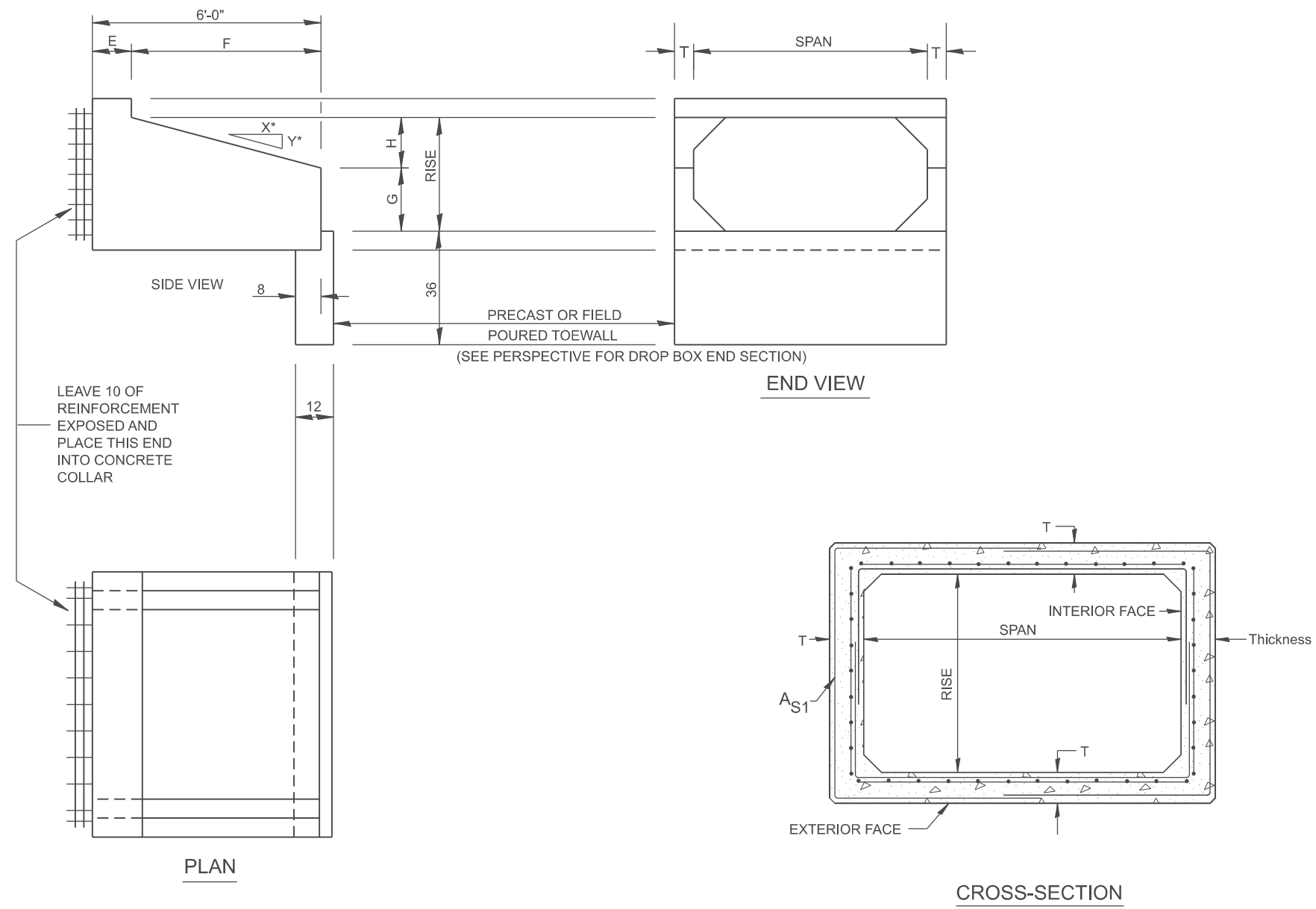


DESIGNER NOTES:
 1. INSERT DISTRICT SPECIAL PROVISION.
 2. TO BE USED IN CONJUNCTION WITH CONCRETE COLLAR.

MODEL: SHT_PLAN
 FILE NAME: C:\Bentley\CONNECT10110\organization\Chri\IDOT_Standards\Civil\IDOT_Sheets.dwg



GENERAL NOTES:

1. The Box Culvert Sections shall conform to ASTM C1577.
2. The External Sealing Band shall conform to ASTM C 877. The appropriate portions of Articles 550.02(I) and 1057.01 of the Standard Specifications shall apply.
3. Shop plans for the Precast Reinforced Box Culvert Sections, End Sections and Drop Box End Sections shall be submitted in accordance with Article 540.06 of the Standard Specifications.
4. All dimensions shall be verified with the Supplier.

All dimensions are in inches unless otherwise noted.

| | | |
|-------------------------|------------|-----------|
| USER NAME = Eric.Thomas | DESIGNED - | REVISED - |
| | DRAWN - | REVISED - |
| | CHECKED - | REVISED - |
| PLOT DATE = 12/7/2022 | DATE - | REVISED - |

**STATE OF ILLINOIS
 DEPARTMENT OF TRANSPORTATION**

**PRECAST CONCRETE BOX CULVERTS (SPECIAL),
 END SECTION (SPECIAL), &
 DROP BOX END SECTIONS (SPECIAL)**

SCALE: NOT TO SCALE SHEET OF SHEETS STA. TO STA.

| F.A. RTE. | SECTION | COUNTY | TOTAL SHEETS | SHEET NO. |
|------------------------------|---------|--------|--------------|-----------|
| | | | | |
| DISTRICT 4 DETAIL NO. 540401 | | | CONTRACT NO. | |
| ILLINOIS FED. AID PROJECT | | | | |