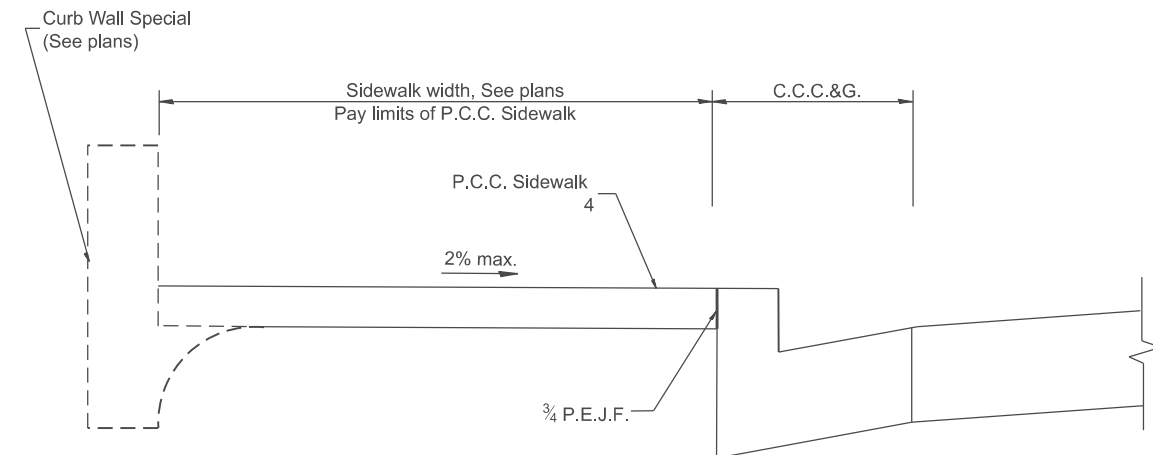
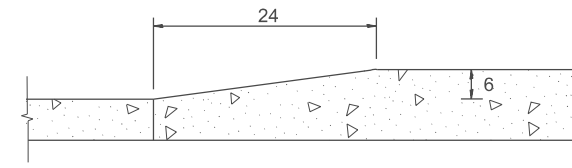


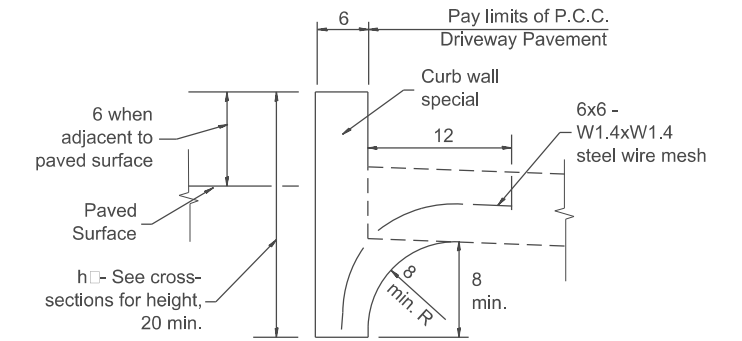
SECTION A-A



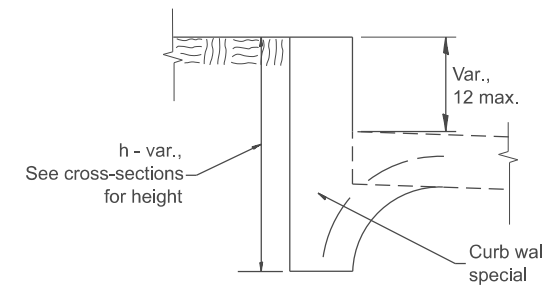
SECTION B-B



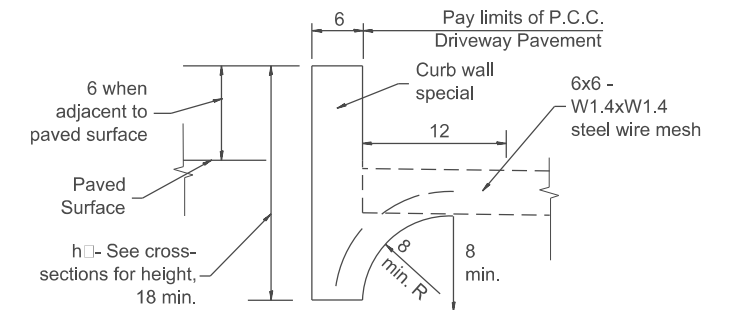
DETAIL 'A'
Curb Height Taper Detail



SECTION C-C
TYPICAL APPLICATION
BETWEEN DRIVEWAYS



ALTERNATE TREATMENT
WITH TURF BORDER



SECTION D-D
TYPICAL APPLICATION
BETWEEN DRIVEWAYS

CURB WALL - SPECIAL

Measurement formula: $h \times \text{length constructed} =$
Payment area in square feet

GENERAL NOTES

1. The Curb Wall, Special, shall be poured monolithically with the adjacent P.C.C. Driveway Pavement or P.C.C. Sidewalk.
2. All provisions of Sections 424 and 606 of the Standard Specifications shall apply unless otherwise shown.

All dimensions are in inches unless otherwise noted.

MODEL: SHT_PLAN
FILE NAME: C:\Bentley\CONNECT1011\Organization\ChilIDOT_Standards\CellIDOT_Sheets.cel

USER NAME = Eric.Thomas	DESIGNED -	REVISED -
	DRAWN -	REVISED -
	CHECKED -	REVISED -
PLOT DATE = 12/7/2022	DATE -	REVISED -

**STATE OF ILLINOIS
DEPARTMENT OF TRANSPORTATION**

URBAN ENTRANCES, SPECIAL DESIGN FOR CLOSELY SPACED ENTRANCES
(WITH PAVEMENT EDGE CURB BETWEEN ENTRANCES)

SCALE: NOT TO SCALE SHEET 2 OF 2 SHEETS STA. TO STA.

F.A. RTE.	SECTION	COUNTY	TOTAL SHEETS	SHEET NO.
DISTRICT 4 DETAIL NO. 423116		CONTRACT NO.		
ILLINOIS FED. AID PROJECT				