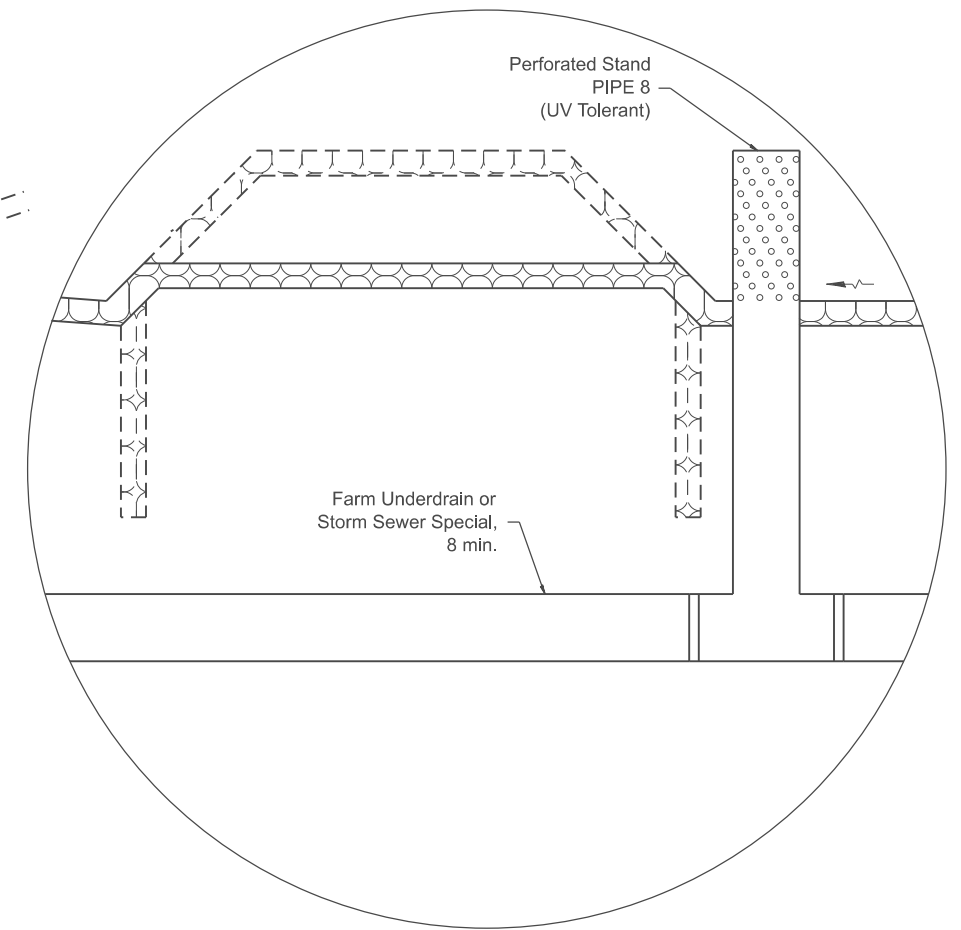
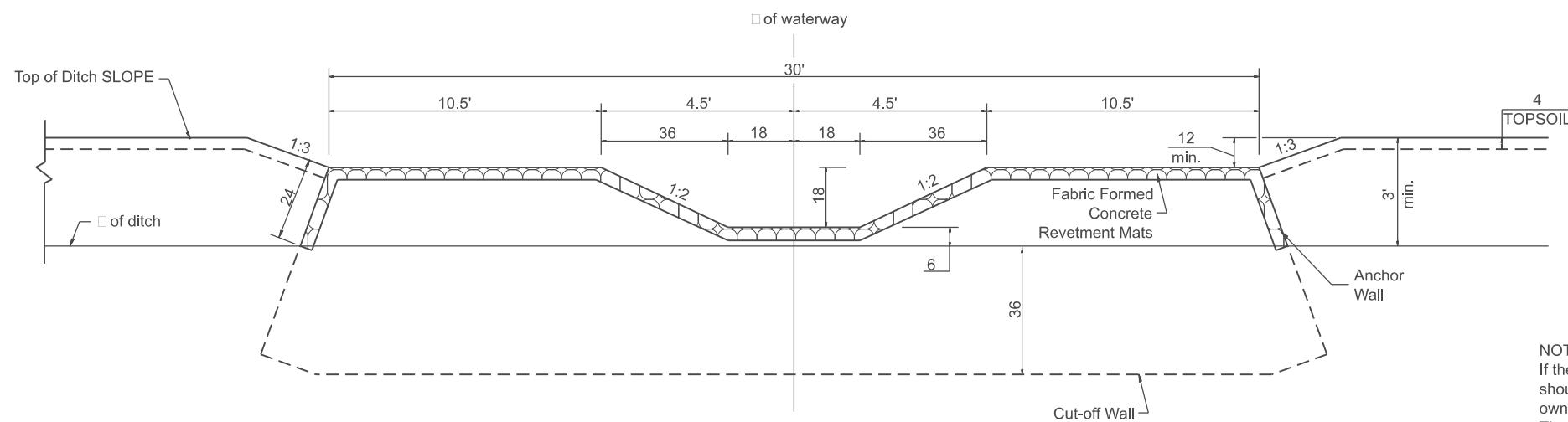


SECTION A-A



ALTERNATE TREATMENT
(WITH EXISTING FARM UNDERDRAIN)



SECTION B-B

NOTE
If the alternate treatment is utilized, then a formal agreement should be executed between the Department and the property owner, that defines future maintenance responsibility. The agreement should be recorded on the property documents at the county courthouse, and should be executed as early in the contract as possible.

All slope ratios are expressed as units of vertical displacement to units of horizontal displacement (V:H).

All dimensions are in inches unless otherwise noted.

MODEL: SHT_PLAN
FILE NAME: C:\Bentley\CONNECT\1011\Organization\Chil\DOT_Standards\Cell\DOT_Sheets.dwg

USER NAME = Eric.Thomas	DESIGNED -	REVISED -
	DRAWN -	REVISED -
	CHECKED -	REVISED -
PLOT DATE = 12/7/2022	DATE -	REVISED -

STATE OF ILLINOIS
DEPARTMENT OF TRANSPORTATION

**WATERWAY EROSION CONTROL, DOWNSTREAM TREATMENT,
FABRIC FORMED CONCRETE REVETMENT MATS**

SCALE: NOT TO SCALE SHEET 2 OF 2 SHEETS STA. TO STA.

F.A. RTE.	SECTION	COUNTY	TOTAL SHEETS	SHEET NO.
DISTRICT 4 DETAIL NO. 285121		CONTRACT NO.		
ILLINOIS FED. AID PROJECT				